

PROPOSAL FOR

Commercial Property Demolition and Site Restoration

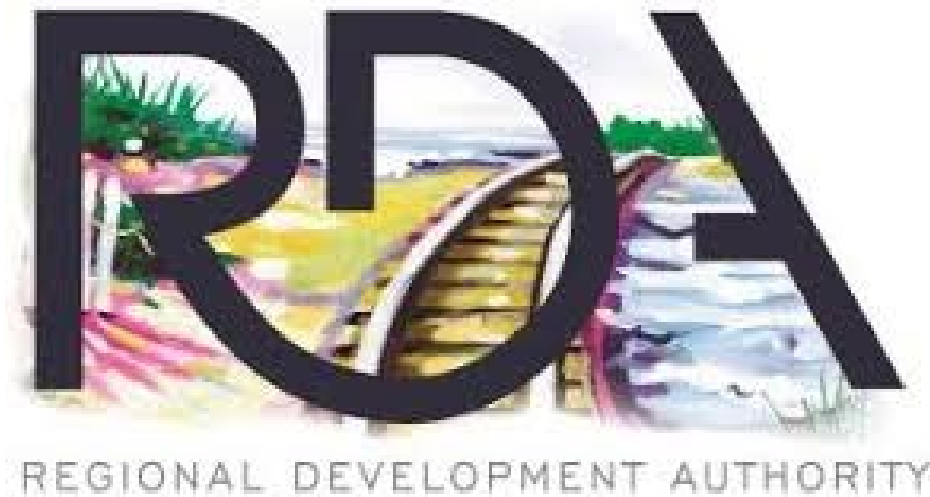
At Parcels 45-08-03-355-002, 45-08-03-355-005,

& 45-08-04-282-001

PROJECT NO. NWI RDA-BE-2026-01

Northwest Indiana Regional Development Authority

Gary Commercial Blight Elimination Program



PREPARED BY:

Egis BLN USA, Inc.

8320 Craig Street

Indianapolis, IN 46250



TABLE OF CONTENTS

- 1. Cover Page**
- 2. Table of Contents**
- 3. Project Log for Demolition and Site Restoration**
 - a. Parcel Specifics Sheet – SITE 1
 - b. Figure 1 – Existing Utilities Map – SITE 1
 - c. Site Plan – SITE 1
 - d. Emergency Demolition Order – SITE 1 (813 Broadway)
 - e. Parcel Specifics Sheet – SITE 2
 - f. Figure 2 – Existing Utilities Map – SITE 2
 - g. Site Plan – SITE 2
- 4. Maintaining Traffic**
 - a. Special Provision for Maintaining Traffic – SITE 1
 - b. Maintenance of Traffic Plans – SITE 1 Broadway Demolition Project
 - c. INDOT Right of Way Permit – SITE 1
 - d. Special Provision for Maintaining Traffic – SITE 2
 - e. Maintenance of Traffic Plans – SITE 2 Demolition Project
 - f. INDOT Right of Way Permit – SITE 2
- 5. Soil Erosion and Sedimentation Control**
 - a. Gary Storm Water Management Department (GSWMD) Demolition Compliance Agreement
 - b. Soil Erosion Control Plan – SITE 1
 - c. IDEM Construction Stormwater General Permit INRA16849 – SITE 1 (810 Massachusetts Street)
 - d. IDEM Construction Stormwater General Permit INRA16850 – SITE 1 (813 Broadway)
 - e. Soil Erosion Control Plan – SITE 2
 - f. IDEM Construction Stormwater General Permit INRA16848 – SITE 2
- 6. Unique Special Provisions**
 - a. Special Provision for Commercial Building and Property Improvements Removal
 - b. Special Provision for Hazardous and Regulated Materials Removal and Disposal
- 7. Environmental**

- a. Hazardous and Regulated Materials Inspection Report – Parcel 45-08-03-355-005 (ATTACHMENT A)
- b. Hazardous and Regulated Materials Inspection Report – Parcel 45-08-03-355-002 (ATTACHMENT B)
- c. Hazardous and Regulated Materials Inspection Report – Parcel 45-08-04-282-001 (ATTACHMENT C – Genesis Convention Center)
- d. Hazardous and Regulated Materials Inspection Report – Parcel 45-08-04-282-001 (ATTACHMENT D – Genesis Center Garage)

PROJECT LOG
FOR
DEMOLITION AND SITE RESTORATION AT
PARCEL NUMBERS 45-08-03-355-005, 45-08-03-355-002 (SITE 1),
& 45-08-04-282-001 (SITE 2)

This project includes the scheduled demolition of improvements and site restoration at the commercial properties listed herein unless otherwise specified in the contract. The project is located within the city limits of Gary, Indiana, in association with the Gary Commercial Blight Elimination Program. Contact information for the Engineer is provided below.

Egis BLN USA, Inc. (Egis)
8320 Craig St.
Indianapolis, IN 46250

Steven Roach, Project Engineer
steven.roach@egis-group.com
248.308.7601

Ryan Jones, Program Manager
ryan.jones@egis-group.com
313.682.7903

1) DESCRIPTION OF WORK

The work included in this contract generally includes, but is not limited to, the following scopes of work:

- a) Hazardous and regulated materials removal and disposal
- b) Demolition, removal, and disposal of commercial structures and associated appurtenances
- c) Backfilling and grading
- d) Site restoration
- e) Maintenance of traffic
- f) Soil erosion and sedimentation control (SESC)

2) LOCATION OF WORK

The work specified herein shall be performed at the locations below:

- a) SITE 1:
Parcel 45-08-03-355-005 (Former Gordon's Department Store Annex)
810 Massachusetts Street
Gary, IN 46402

Parcel 45-08-03-355-002 (Former Gordon's Department Store)
813 Broadway
Gary, IN 46402

- b) SITE 2:
Parcel 45-08-04-282-001 (Former Genesis Convention Center and Parking Garage)
401 Adams Street
Gary, IN 46402

3) PROJECT SPECIFICATIONS

Work shall be performed as described in the Project Log and in accordance with the following standards, specifications, plans, and provisions, unless otherwise specified.

- a) 2026 INDOT Standard Specifications (Standard Specifications)
- b) Special Provision for Hazardous and Regulated Materials Removal and Disposal
- c) Special Provision for Commercial Building and Property Improvements Removal
- d) Special Provision(s) for Maintaining Traffic
 - a) SITE 1
 - b) SITE 2
- e) Maintenance of Traffic Plans
 - a) 810 Massachusetts Street 45-08-03-355-005 and 813 Broadway 45-08-03-355-002
 - b) 401 Adams Street 45-08-04-282-001
- f) Parcel Specifics Sheet(s)
 - a) SITE 1
 - b) SITE 2
- g) Soil Erosion and Sedimentation Control Plan(s)
 - a) SITE 1
 - b) SITE 2
- h) Site Plan(s)
 - a) SITE 1
 - b) SITE 2

4) SCOPE OF WORK:

- a) **Permitting**
 - i) Obtain an Indiana American Water (IAW) fire hydrant permit for each Site and comply with all applicable permit requirements throughout the duration of the project.
 - ii) Obtain a City of Gary Demolition Permit for each Site prior to the start of demolition and comply with all applicable permit requirements throughout the duration of the project.
 - iii) The Engineer has obtained INDOT permits for required lane and roadway closures on INDOT routes, as applicable. Comply with the General Provisions and pre-work requirements of each permit for all work in the INDOT right-of-way, including all maintenance of traffic activities, as identified in the approved permits.

- iv) Complete and submit the Gary Storm Water Management Department (GSWMD) Demolition Compliance Agreement to the GSWMD Administrative Office. Submit the compliance agreement and confirm receipt as a prerequisite to the Notice to Proceed. Comply with all requirements for demolition activities throughout the project duration.
- v) The Engineer has obtained IDEM Construction Stormwater Permits for each Site. Comply with all applicable permit requirements throughout the duration of the project.
- vi) Within 1 (one) calendar day of receipt of Notice to Proceed, the Contractor or the Contractor's asbestos abatement subcontractor shall submit a Notification of Demolition and Renovation Operations (State Form 44593) for the removal of all identified asbestos materials. A copy of the form shall be provided to the Engineer at the time of submission. It is the Contractor's responsibility to monitor and keep the Notification current. Any revision dates to the Notification shall be approved by the Engineer before amending the form. The Contractor must ensure the period(s) of time for each activity are concurrent and not sequential.
- vii) No less than 10 (ten) calendar days prior to the start of demolition activities, the Contractor shall submit a separate Notification of Demolition and Renovation Operations (State Form 44593). A copy of the form shall be provided to the Engineer at the time of submission. It is the Contractor's responsibility to monitor and keep the Notification current. Any revision dates to the Notification shall be approved by the Engineer before amending the form. The Contractor must ensure the period(s) of time for each activity are concurrent and not sequential.
- viii) Comply with all portions of subsection 202.02 of the Standard Specifications.
- ix) All costs associated with permitting, including permit fees, are considered incidental to other contract pay items and will not be reimbursed separately.

b) Maintenance of Traffic and Site Security

- i) Maintain traffic in accordance with the applicable *SPECIAL PROVISION FOR MAINTAINING TRAFFIC*, Maintenance of Traffic Plan(s), and Parcel Specifics Sheet(s) for each Site, the Standard Specifications, and as directed by the Engineer.
- ii) Place temporary fencing throughout the perimeter of each Site and/or staging area. Such fencing shall consist of either base-mounted movable fence panels or 96-inch-tall chain link fence on driven posts.
 - (1) If moveable panels are utilized, sufficient ballast shall be provided to ensure that fencing remains secure and in place.
 - (2) If driven posts are utilized, the Contractor is responsible for backfilling and patching fence post holes following removal of fencing.
 - (3) The Contractor is responsible for alignment, maintenance and/or replacement of damaged fencing throughout the duration of the project.
- iii) The Contractor is responsible for maintaining safety and security of each Site during all working and non-working hours.

c) Environmental

- i) Remove and dispose of all Asbestos Containing Materials (ACM) and Other Regulated Materials (ORM) identified in the applicable Hazardous and Regulated Materials Report(s) for each site. All ACM and ORM removal and disposal shall be completed in accordance with the *SPECIAL PROVISION FOR HAZARDOUS AND REGULATED MATERIALS REMOVAL AND DISPOSAL* and all applicable local, state, and federal laws, regulations, and guidelines.
 - (1) Prior to commencing abatement activities, attend a pre-abatement site inspection as scheduled by the Engineer. The intent of this inspection is to ensure all items requiring abatement are clearly identified and to resolve any quantity discrepancies that may be noted.
 - (2) Provide INDOT Form IC-203 - Request for Approval of Borrow or Disposal Site 14 days prior to materials being removed from the Site. This form shall be approved by the Engineer prior to the specified site being utilized for disposal of material
 - (3) Following removal of all ACM and/or ORM and prior to removal of containment materials (as applicable), the Engineer will conduct a Post-Abatement Verification (PAV) inspection to confirm all identified materials have been properly removed. The Contractor shall provide a minimum 24-hour notice when requesting a PAV inspection to be scheduled. PAV inspections may be requested for individual rooms and/or portions of a structure as abatement operations progress.

d) **Soil Erosion and Sedimentation Control (SESC)**

- i) Designate a dedicated Storm Water Quality Manager (SWQM) for the project that will be responsible for implementation and management of SESC measures at all Sites, in accordance with subsection 205.03.c of the Standard Specifications.
- ii) Install, maintain, monitor, and remove SESC measures as indicated in the SESC Plan and Parcel Specifics Sheet(s) for each Site, in accordance with subsection 205.03.c of the Standard Specifications, and as directed by the Engineer.

e) **Demolition**

- i) Develop a detailed Demolition Plan (Plan) for each Site. Submit the Plan to the Engineer for review and approval a minimum of 14 calendar days prior to mobilizing to each site. The Engineer will have 7 calendar days to review the Plan and provide comments for revisions required to obtain approval. The Plan shall include, but is not limited to the following components:
 - (1) Site staging layout including ingress and egress locations
 - (2) Trucking routes
 - (3) Demolition sequencing
 - (4) Detailed descriptions and dimensions of nearby and/or adjoining structures
 - (5) Demolition means and methods
 - (6) Dust control methods
 - (7) Utility avoidance and/or protection plan

- (8) Vibration avoidance plan
 - (9) Building separation plan/methodology
 - (a) SITE 1
 - (i) Means, methods and sequencing to separate BLDG 2 from the adjacent southern structure to remain.
 - (ii) Means and methods to protect the three-story structure adjacent to BLDG 2 from damage during demolition activities.
 - (b) SITE 2
 - (i) Means, methods and sequencing to separate the pedestrian bridge from the Metro Center structure.
 - (ii) Means and methods to protect the Metro Center structure from damage during demolition activities.
 - (iii) Temporary support design, if necessary, to facilitate removal of the pedestrian bridge crossing 4th Avenue.
 - 1. Temporary support and/or other structural designs shall be stamped by a Professional Engineer licensed by the State of Indiana.
 - ii) Submit INDOT Form IC-203 - Request for Approval of Borrow or Disposal Site 14 days prior to materials being removed from the Site. This form shall be approved by the Engineer prior to the specified site being utilized for disposal of material. Submit a separate form for each proposed disposal site.
 - iii) All painted and/or stained concrete, brick, and block material is considered contaminated and shall be disposed of at a facility permitted to accept such materials. Clean concrete, brick, and block material may be recycled or disposed of at other facilities permitted to accept such materials, unless otherwise noted in the Parcel Specifics Sheet(s) for each Site. Any additional laboratory analysis required to determine disposal requirements and/or obtain waste stream approval is considered included in the cost of other items and will not be paid for separately.
 - iv) Remove and dispose of above and below grade features, associated appurtenances, and ancillary features at each Site in accordance with the Parcel Specifics Sheet(s) and the *SPECIAL PROVISION FOR COMMERCIAL BUILDING AND PROPERTY IMPROVEMENTS REMOVAL*.
- f) **Site Work**
- i) Backfill all voids and/or depressions created by demolition and grade the site to drain, as directed by the Engineer. Provide backfill material meeting the requirements of INDOT 2026 Standard Specifications 904.06 (B Borrow) from an approved INDOT Certified Aggregate Producer Program (CAPP) source and compact in lifts no greater than 12 inches in depth to within 6 inches of the final grade.
 - ii) Provide INDOT Form *IC-203 - Request for Approval of Borrow or Disposal Site* 14 days prior to borrow materials being delivered to the Site. This form shall be approved by the Engineer prior to the site specified being utilized for borrow material.

- iii) Grade the site to drain and as directed by the Engineer.
- iv) Place topsoil free from rocks, roots, and debris within the final 6 inches and grade to allow for adequate drainage.
- v) Place seed, fertilizer, and mulch throughout all disturbed areas and as directed by the Engineer.
 - (1) Seed shall be INDOT seed mixture R and the application rate per acre shall conform with subsection 621.06 of the Standard Specifications. Fertilizer and mulching materials shall be applied at the following rates:
 - (a) Fertilizer: 800 lb/ac
 - (b) Mulch: 2 t/ac
- vi) Periodic cleaning/sweeping of adjacent roadways and/or sidewalks may be required throughout the duration of the project, as directed by the Engineer. Cleaning/sweeping operations are considered incidental to other contract pay items and will not be paid separately.

5) UTILITIES

- a) Locate all public utilities through the Indiana811 system prior to mobilizing to each Site.
- b) *Figures 1-2 – Existing Utility Maps* provide estimated locations of existing utility facilities currently identified by the Engineer at each Site.
- c) Active overhead and/or underground utility facilities may be present within the limits of or in close proximity to the parcels included in this contract. Review each Site to determine whether such utilities will impact demolition and/or site restoration methods.
- d) Plan and perform all activities to avoid impacts to existing utility facilities. If damage to a utility facility occurs or it becomes apparent that damage may occur, suspend work and immediately notify the Engineer.
- e) The Engineer has facilitated retirement of water, electric, and gas utility services at the parcels included in this contract. Refer to the Utility Retirement Status table for dates of retirement. Utilities noted “TBD” have not been retired as of the time of contract advertisement. The Engineer will confirm retirement of these utilities prior to issuing Notice to Proceed.
- f) Remove, dispose, and bulkhead sanitary sewer outlet pipe(s) as encountered throughout each Site and as directed by the Engineer.
 - i) Remove sanitary sewer pipe(s) to the nearest parcel boundary.
 - ii) Bulkhead sanitary sewer pipe(s) at the nearest parcel boundary and as directed by the Engineer according to subsection 720.05 of the Standard Specifications.
 - iii) Gary Sanitary District (GSD) personnel must be present to inspect bulkheading of all sanitary sewer lines. Notify the Engineer a minimum of 24 hours prior to bulkheading of sanitary sewer lines to schedule inspections.
- g) Protection of existing in-service utility facilities may be required at certain Sites. Refer to the Parcel Specifics Sheet(s) for site-specific requirements.

- h) Removal and/or adjustment of existing utility structures and/or features may be required at certain Sites. Refer to the Parcel Specifics Sheet(s) for Site-specific requirements. Complete grade adjustment of existing structures in accordance with Section 720.04 of the Standard Specifications.

UTILITY RETIREMENT STATUS				
PARCEL ID	ADDRESS	NIPSCO GAS	NIPSCO ELECTRIC	INDIANA AMERICAN WATER
45-08-03-355-005	810-50 Massachusetts Street, Gary, IN 46402	04/28/2025	04/28/2025	06/04/2025
45-08-03-355-002	813-59 Broadway, Gary, IN 46402	04/28/2025	04/28/2025	06/04/2025
45-08-04-282-001	401 Adams Street, Gary, IN 46402	08/14/2025	08/14/2025	12/08/2025

6) GENERAL NOTES

- a) Not all Sites may be available for demolition immediately upon contract award. No additional compensation above the contract amount will be allowed due to delays in receipt of Notice to Proceed for individual Sites.
- b) All work shall be performed within the parcel boundaries or within closed portions of adjacent roadways, unless otherwise specified or as approved by the Engineer.
- c) Any damaged facilities within the public right-of-way shall be repaired and/or replaced at the Contractor’s expense.
- d) Provide the Engineer with at least a 48-hour notice prior to mobilizing to the site. The Engineer may delay or suspend work if notice is not provided.
- e) Refer to the Parcel Specifics Sheet(s) and other supporting documents for details pertaining to the scope of work at each Site.
- f) Plan and perform all work in accordance with applicable federal, state, and local laws, regulations, and ordinances.

7) SPECIAL CONDITIONS

- a) Develop a *Site-Specific Health and Safety Plan (SSHP)* for each Site. The SSHP shall be submitted to the Engineer for review and approval a minimum of 14 calendar days prior to mobilizing to each Site. The Engineer will have 7 calendar days to review the SSHP and provide comments for revisions required to obtain approval.
 - i) Components of various structures included in the contract are assumed to contain lead-based paint. The SSHP must include appropriate preventative and protective measures regarding this contaminate.
- b) Certain structures to be demolished are in close proximity to adjacent structures and/or other in-service facilities. Plan all activities to avoid impacts and damage to adjacent structures. Immediately suspend work and notify the Engineer if damage occurs or if the potential for damage becomes apparent at any time.

- c) Upon completion of the work at each Site, the Engineer will review the Site conditions and provide a list of corrective actions (Punch List), if applicable. All corrective action items must be completed within 14 calendar days of receipt of the Punch List.

8) PROGRESS CLAUSE

- a) After the award, do not begin work without a written Notice to Proceed from the Engineer. In no case may any work commence prior to contract award. A separate written Notice to Proceed will be issued for each Site.
- b) After the award and prior to the start of work, attend a preconstruction conference with the Engineer. The Engineer will determine the day, time, and place for the preconstruction conference.
- c) Prior to the preconstruction conference, submit a progress schedule in a format acceptable to the Engineer. The schedule shall include the start dates and estimated times to prosecute significant activities and phases of work.
- d) All contract work shall be continuous upon commencing. Work on site shall not be idle for any duration exceeding 72 hours. The Contractor is responsible to provide sufficient resources and adjust work schedules as necessary to complete all work within the specified contract time(s).
- e) Fully restore each Site within 14 calendar days of completion of backfill and grading operations.
- f) Begin and complete work within specified ALTERNATE 1 or ALTERNATE 2 timeframes.

a. ALTERNATE 1

- i. Mobilize and begin work at SITE 1 within 30 calendar days following receipt of Notice to Proceed. All work at SITE 1 parcels shall be completed within 210 (two hundred ten) calendar days following receipt of Notice to Proceed.
- ii. Notice to Proceed for SITE 2 will not be issued prior to completion of work at SITE 1. Mobilize and begin work at SITE 2 within 30 calendar days following receipt of Notice to Proceed. All work at SITE 2 shall be completed within 270 (two hundred seventy) calendar days following receipt of Notice to Proceed.

b. ALTERNATE 2

- i. Mobilize and begin work at SITE 1 and/or SITE 2 within 30 calendar days following receipt of Notice to Proceed. All work at SITE 1 and SITE 2 parcels shall be completed within 270 (two hundred seventy) calendar days following receipt of Notice to Proceed.
- g) Failure to complete the work within the specified timeframe(s) will result in assessment of Liquidated Damages. Liquidated Damages in the amount of \$1,000.00 per day will be assessed for each calendar day the work remains incomplete.

9) ITEMS OF WORK AND PAYMENT SCHEDULE

- a) The following items of work are included in the Base Bid and apply as detailed in this Proposal and as directed by the Engineer. All other work described in the Project Log and

other contract documents is considered incidental to these items and will not be paid for separately.

Pay Item	Quantity	Unit
_Building and Property Improvements Removal, Commercial – SITE 1	1.0	Lump Sum
_Hazardous and Regulated Materials Removal and Disposal – SITE 1	1.0	Lump Sum
_Building and Property Improvements Removal, Commercial – SITE 2	1.0	Lump Sum
_Hazardous and Regulated Materials Removal and Disposal – SITE 2	1.0	Lump Sum

b) At or before the preconstruction conference, provide a Schedule of Values for the Engineer’s review and approval that corresponds to the _Building and Property Improvements Removal, Commercial pay item for each Site for the Milestone Items below. Assigned values shall align with the proportionate cost to perform the work associated with each Milestone Item. The sum of assigned Milestone Item values must equal the lump sum unit price for each Pay Item. Payment of the assigned values will be made upon completion of the work associated with each Milestone Item as described.

i) Milestone Items:

(1) Mobilization and Site Controls

Includes mobilization; installation of maintenance of traffic, temporary fencing, soil erosion and sedimentation control measures; site security; permitting.

Payment will be made upon completion of installation of items above and submitting all applicable permits and/or notifications to the Engineer.

(2) Above Grade Demolition

Includes removal, transport, and disposal of all above grade structures and associated appurtenances as specified.

Payment will be made upon completion of the work as described and submitting all required disposal documentation to the Engineer.

(3) Hard Surface and Below Grade Demolition

Includes removal, transport, and disposal of all hard surface and below grade features as specified.

Payment will be made upon completion of the work as described and submitting all required disposal documentation to the Engineer.

(4) Backfill and Site Restoration

Includes adjustment of utility structure covers (if applicable); bulkheading of sanitary sewer outlet pipes; placement and compaction of all required backfill, topsoil, seed, fertilizer, and mulch blanket as specified.

Payment will be made upon completion of the work as described and submitting all required material documentation to the Engineer.

(5) Project Cleanup

Includes demobilization; removal of maintenance of traffic devices, temporary fencing, and soil erosion and sedimentation measures; cleanup of the project site and surrounding roadways and/or sidewalks; completion of assigned Punch List work.

Payment will be made upon completion of the work as described and establishment of acceptable growth throughout all restored areas.

PARCEL SPECIFICS SHEET

SITE 1

PROJECT NUMBER NWI RDA-BE-2026-01

PARCEL NUMBER(S) 45-08-03-355-005/002
Includes the following individual tax parcels
45-08-03-355-005
45-08-03-355-002

PARCEL ADDRESS(ES) 810-50 Massachusetts Street, Gary, IN 46402
813-59 Broadway, Gary, IN 46402

PARCEL INFORMATION

1) SITE 1 DESCRIPTION

The Site includes two separate parcels and adjacent structures on E. 8th Avenue between SR 53 (Broadway) and Massachusetts Street, with addresses at 810 Massachusetts Street and 813 Broadway. The existing three-story structure located directly south of 813 Broadway is not included in the project and will remain in place. The area directly south of the structure at 810 Massachusetts Street is an asphalt paved surface lot and is not included in the project. The site is rectangular in shape and has an approximate area of 19,000 SFT.

2) STRUCTURE DESCRIPTION(S)

Parcel 45-08-03-355-005 & 45-08-03-355-002: Two Multi-Story Commercial Buildings

Structure ID	Structure Designation*	Structure Height	Structure SFT
BLDG 1 (810 Massachusetts)	BLIP	2-story	18,750
BLDG 2 (813 Broadway)	BLIP	4-story	46,875

**as defined per the Special Provision for Commercial Building and Property Improvements Removal*

BLDG 1 is the former Gordon's Department Store annex building. The structure has a combination of poured and block walls at the basement level, exterior brick and stone walls on the first level, brick and concrete panels on the second level. Interior walls are concrete block and/or wood framed. Overhead ceiling panels are present on multiple levels, and the roofing components consist of ceramic caps and asphalt sealant. A brick chimney is present at the southeast corner of the structure. Interior features include, but are not limited to, electrical, mechanical, boiler, plumbing, and fire suppression equipment, various fixtures, abandoned furniture, and other miscellaneous appurtenances.

BLDG 1 and BLDG 2 are interconnected at the second level only.

BLDG 2 is the former Gordon's Department Store building. The structure has concrete poured walls at the basement level, a combination of stone and block walls at the first level, and brick walls on the upper 3 levels of the structure. Interior walls are concrete block and/or wood framed, with wood and steel flooring joists. Overhead ceiling panels are predominantly collapsed on all levels, and the roof is a built-up system, consisting of rubberized material with a tar and gravel finish. A chimney is present at the southeast corner of the structure, and rooftop air handler units are in place. Interior

PARCEL SPECIFICS SHEET

SITE 1

features include, but are not limited to, electrical, mechanical, and plumbing equipment, various fixtures, abandoned furniture, and other miscellaneous appurtenances.

BLDG 2 has extensive fire damage, including structural damage, heat/smoke damage, partially collapsed ceiling components, and collapsed interior walls and floors. Due to the condition of the building, this is considered an Emergency Ordered Demolition and all demolition debris shall be considered asbestos containing material (ACM) and must be handled and disposed of as such.

BLDG 2 is located north and directly adjacent to a 3-story structure that will remain in place. Selective demolition methods and/or protective measures may be required to ensure no damage to the adjacent structure occurs.

Parcel 45-08-03-355-005 – Environmental

Various hazardous and regulated materials, including but not limited to Asbestos Containing Materials (ACM), Lead-Based Paints (LBP), and Other Regulated Materials (ORM) are present throughout the structure as identified in the *45-08-03-355-005 HRM Report*, dated April 22, 2025.

Parcel 45-08-03-355-002 – Environmental

Various hazardous and regulated materials, including but not limited to Asbestos Containing Materials (ACM), and Lead-Based Paints (LBP), and Other Regulated Materials (ORM) are present throughout the structure as identified in the *45-08-03-355-002 HRM Report*, dated April 22, 2025.

Parcel 45-08-03-355-005/002 – Site Work and Utilities

Various ancillary features are present throughout and adjacent to the site, including but not limited to concrete sidewalk, asphalt pavement, concrete blocks, and miscellaneous debris.

Existing traffic signal and street lighting facilities are present at various locations adjacent to the Site.

Various public and private utility facilities are present within the limits of or adjacent to the parcels, including but not limited to electric, gas, water, sewer, and communications. Refer to *Figure 1 – Existing Utilities Map* for estimated locations of utility facilities currently identified by the Engineer.

Two (2) existing sanitary sewer structures are present within the asphalt pavement located between BLDG 1 and BLDG 2 which may require adjustment.

3) SCOPE OF WORK

a) Environmental

- i) Prior to demolition of BLDG 1, remove and dispose of all Asbestos Containing Materials (ACM) and Other Regulated Materials (ORM) identified in the *45-08-03-355-005 HRM Report*, dated April 22, 2025.
- ii) BLDG 2 is considered an Emergency Ordered Demolition. All above and below grade demolition debris shall be considered asbestos containing material (ACM) and must be handled and disposed of as such.

b) Demolition

PARCEL SPECIFICS SHEET

SITE 1

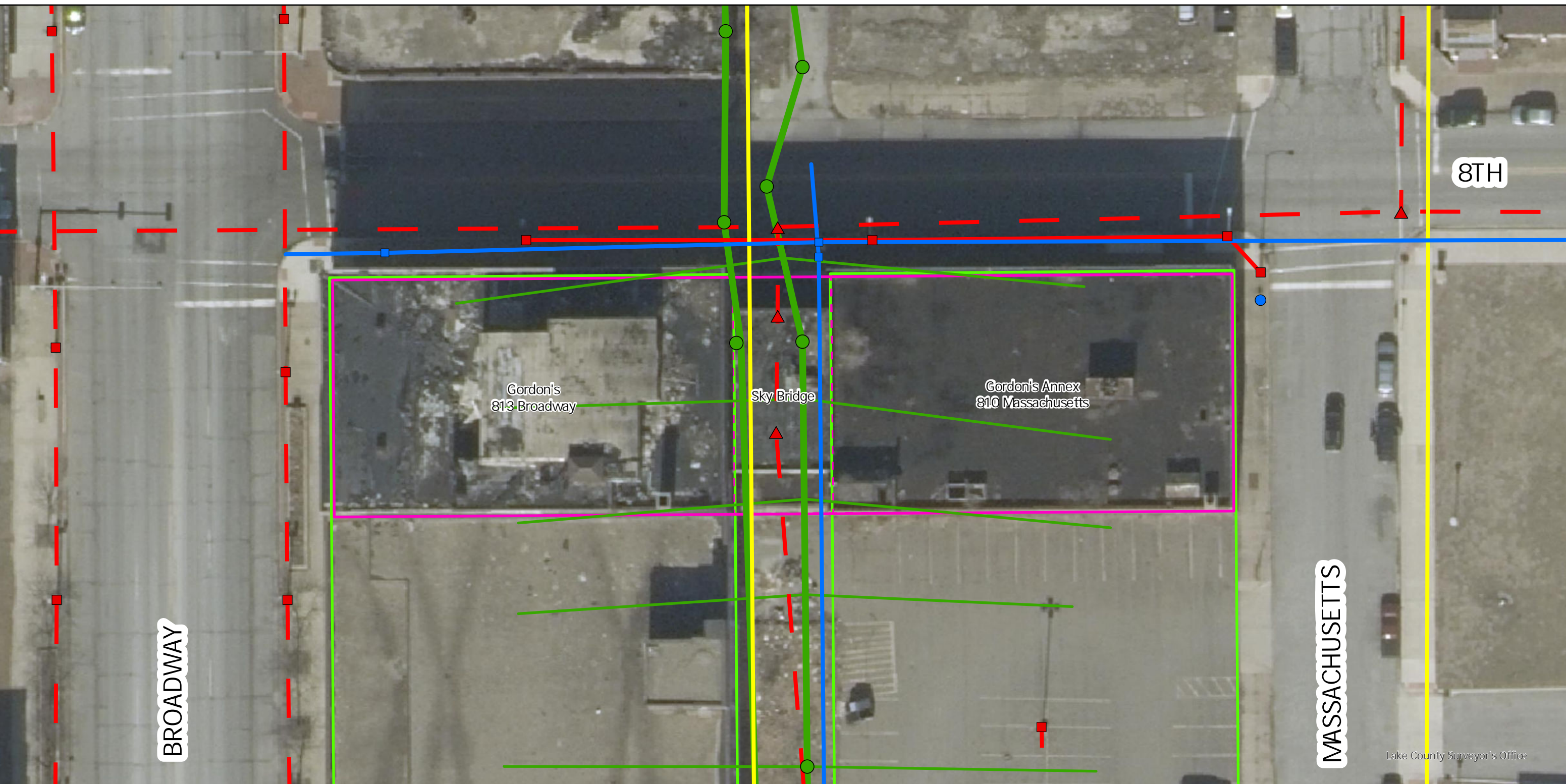
- i) Prior to demolition, remove and salvage the existing clock support structure from the northwest corner of BLDG 2. Transport and deliver the salvaged structure to a location within the City of Gary limits to be provided by the Engineer.
- ii) Prior to demolition, sawcut sidewalk and/or pavement adjacent to BLDG 1 and BLDG 2 in accordance with the *Site Plan – SITE 1* and as directed by the Engineer. Place saw cuts as close to the structure(s) as possible, but no greater than 1 foot from the face of the building. Layout of saw cutting shall be coordinated with and approved by the Engineer prior to saw cutting work commencing.
- iii) Fully remove and dispose of all above grade components of BLDG 1 and BLDG 2.
- iv) Fully remove and dispose of all below grade components of BLDG 1 and BLDG 2, except for basement walls, floor slabs, and foundations. Modify remaining below grade components according to Section c.3.C (Basement Left in Place) of the *SPECIAL PROVISION FOR COMMERCIAL BUILDING AND PROPERTY IMPROVEMENTS REMOVAL*.
- v) BLDG 2 is considered an Emergency Ordered Demolition. All above and below grade demolition debris shall be considered asbestos containing material (ACM) and must be handled and disposed of as such.
- vi) Complete removal and disposal of all required BLDG 1 components prior to demolition of BLDG 2.
- vii) Fully remove and dispose of all ancillary features, including but not limited to asphalt pavement, concrete blocks, and miscellaneous debris.

c) Utilities

- i) Perform grade adjustment of existing sanitary sewer structures in accordance with Section 720 of the Standard Specifications and as directed by the Engineer.
- ii) Remove the communications cable anchored to the exterior of the south wall of BLDG 1. The cable is disconnected above ground and is tagged as abandoned.

4) SPECIAL CONDITIONS

- a) The parking area located south of BLDG 1 and west of Massachusetts St. may be used as a staging area, as identified in the *Site Plan – SITE 1*. All existing features within the staging area shall be protected throughout use, including but not limited to pavement, sidewalk, curbs, driveways, drainage structures, and light standards and foundations. Any damage to existing features shall be repaired to the satisfaction of the Engineer at the Contractor's expense.



Lake County Surveyor's Office

Overhead Electric Lines	Telecommunications Lines	Valve Gate Access
Underground Electric Lines	Sanitary Lateral	Approximate Parcel Boundaries
Light Pole	Sanitary Pipe	Building IDs
Support Structure	Sewer Manholes	
Manhole	Water Lines	
Natural Gas Lines	Hydrant	

Figure 1 Existing Utilities Map

Gordon's & Gordon's Annex
813 Broadway & 810 Massachusetts
Gary, IN 46402

DATE 4-14-25	DRAWN BY CCM	CHECKED BY CW	PROJECT NO. 240100
-----------------	-----------------	------------------	-----------------------

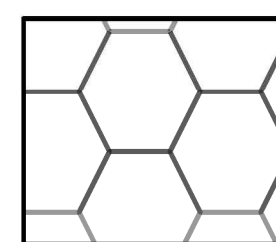




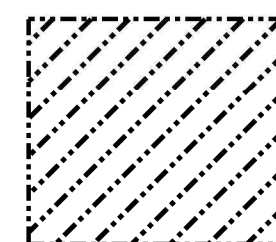
Legend

- Staging Area Boundary
- Sawcut Line

Ⓢ Catch Basin



Building #1 & #2
Above and Below
Grade Building
Demolition



Structure to Remain

RECOMMENDED FOR APPROVAL _____	DESIGN ENGINEER _____	DATE _____
DESIGNED: TC _____	DRAWN: TC _____	
CHECKED: XXX _____	CHECKED: XXX _____	

NORTHWEST INDIANA
REGIONAL DEVELOPMENT AUTHORITY

SITE PLAN
810-50 MASSACHUSETTS STREET
AND 813-59 BROADWAY

HORIZONTAL SCALE 1" = 50'	BRIDGE FILE N.A.
VERTICAL SCALE	DESIGNATION N.A.
SURVEY BOOK	SHEETS
ELECTRONIC	1 of 1
CONTRACT	PROJECT
N.A.	XXXXXX

EMERGENCY ORDER

Date: April 14, 2025

TO: City of Gary Department of Commerce
Redevelopment Division (Demolition)
504 Broadway, Suite 200
Gary, Indiana 46402

I am acting pursuant to Section 9, of the Indiana Code, I. C. 36-7-9-9 and Section 162.01 of the City of Gary, Indiana Code of Ordinances entitled "The Unsafe Building (s) Ordinance."

As a result of the inspection, I have determined that the Building(s) and premises Commonly__813 Broadway, Gary, IN 46402__ situated in Gary, Indiana and legally described as:

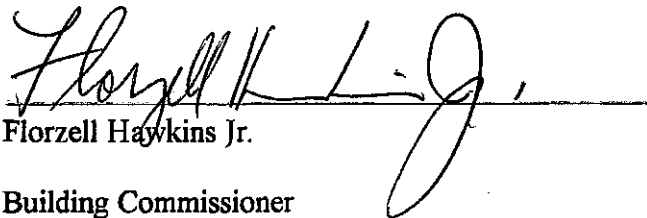
Legal: Gary Land Co's 1st Resub. BL.12 Lots 1 to 18

Parcel: 45-08-03-355-002.000-004

is/are Unsafe, for the reasons set forth in the inspection reports, copies of which may be obtained from the Building Department.

I hereby order that the Building(s) must be **DEMOLISHED**.

Such operations must be completed by September, 2025



Florzell Haykins Jr.

Building Commissioner
City of Gary, Indiana

cc: File

PROPERTY OWNER

PARCEL SPECIFICS SHEET

SITE 2

PROJECT NUMBER NWI RDA-BE-2026-01

PARCEL NUMBER(S) 45-08-04-282-001

PARCEL ADDRESS(ES) 401 Adams Street, Gary, IN 46402

PARCEL INFORMATION

1) SITE DESCRIPTION

The Site is located west of Washington Street and Genesis Center Plaza and bounded by W. 4th Avenue (US 20) to the north, W. 5th Avenue (US 20) to the south, and Adams Street to the west. There are two existing multi-level structures located on this parcel, consisting of a parking garage and the Genesis Convention Center, both of which will be demolished. An overhead pedestrian bridge is present that will also be demolished, crossing W. 4th Avenue extending from the second level of the parking garage to the Adam Benjamin JR Metro Center. The parcel is rectangular in shape and encompasses approximately 6.65 acres.

2) STRUCTURE DESCRIPTION(S)

Parcel 45-08-04-282-001: Two Multi-Story Commercial Buildings

Structure ID	Structure Designation*	Structure Height	Structure SFT
BLDG 1 Genesis Convention Center	NB	2-story	109,392
BLDG 2 Genesis Center Parking Garage	SGL	4-story	120,000

**as defined per the Special Provision for Commercial Building and Property Improvements Removal*

BLDG 1 is a 2-story slab on grade multiuse structure. The structure is steel framed, with exterior brick and metal paneling, windows, steel doors, escalators, staircases, and elevator shafts. Interior walls are a combination of painted concrete block, brick, clay tiles, and paneling. Overhead ceilings are steel framed and paneled, and flooring is primarily concrete. The roof is predominantly flat and contains heating and cooling units. Interior features include, but are not limited to, electrical and mechanical components, plumbing equipment, elevators, escalators, scoreboards, kitchen equipment, various fixtures, furniture, and other miscellaneous appurtenances. Exterior features include, but are not limited to, asphalt and concrete pavement, concrete and brick paver sidewalks, drainage and electrical infrastructure, fencing, light standards and foundations, bollards, vegetative overgrowth/brush, steel gated entry, and concrete/masonry block walls.

BLDG 2 is a 4-story parking structure with basement level parking and crawlspace. The structure contains poured concrete walls and flooring. Steel railing is anchored to the surface of the exterior walls around the perimeter of structure, and steel handrails are anchored to the walls and staircases. Interior walls are constructed with concrete blocks, containing both a clean and painted finish. Steel doors are present on each level, within each staircase, and elevator shaft. Interior features include, but are not limited to, electrical, mechanical and plumbing equipment, elevators, various fixtures, wall and ceiling paneling, and other miscellaneous appurtenances.

PARCEL SPECIFICS SHEET

SITE 2

BLDG 2 also includes an overhead pedestrian bridge connecting the parking garage to the Metro Center. Concrete piers support the structure which spans W. 4th Avenue. The structure consists of a concrete subfloor, with concrete façade paneling. Interior walls are painted concrete blocks, with glass windows and steel framing. Steel doors are located at the entrance/exit locations and steel railing is anchored to the walls and stair locations. Interior features include, but are not limited to, electrical and lighting fixtures, mechanical and plumbing equipment, ceiling paneling, and other miscellaneous appurtenances.

Parcel 45-08-04-282-001 – Environmental

Various hazardous and regulated materials, including but not limited to Asbestos Containing Materials (ACM), Lead-Based Paints (LBP), and Other Regulated Materials (ORM) are present throughout the structures as identified in the *Genesis Convention Center HRM Report*, dated August 12, 2025, and the *Genesis Convention Center Parking Garage HRM Report*, dated May 6, 2025.

Parcel 45-08-04-282-001 – Site Work and Utilities

Various ancillary features are present throughout and adjacent to the site, including but not limited to concrete and brick paver sidewalks, concrete and asphalt pavement, fencing, communication lines, underground conduit and handholes, drainage structures, street lighting, and trees/brush.

Various public and private utility facilities are present adjacent to and within the parcel, including but not limited to drainage, sanitary sewer, electric, gas, water, sewer, street lighting, and communications. Refer to *Figure 2 – Existing Utilities Map* for estimated locations of utility facilities currently identified by the Engineer.

Active electrical switchgear components are present northwest of BLDG 1, adjacent to Adams Street.

Existing sanitary sewer and/or drainage structures are present at various locations throughout the parcel which may require adjustment.

3) SCOPE OF WORK

a) Environmental

- i) Prior to demolition of BLDG 1, remove and dispose of all Asbestos Containing Materials (ACM) and Other Regulated Materials (ORM) identified in the *Genesis Convention Center HRM Report*, dated August 12, 2025.
- ii) Prior to demolition of BLDG 2, remove and dispose of all Asbestos Containing Materials (ACM) and Other Regulated Materials (ORM) identified in the *Genesis Convention Center Parking Garage HRM Report*, dated May 6, 2025.

b) Demolition

- i) Prior to demolition, sawcut sidewalk and/or pavement throughout the perimeter of the parcel in accordance with the *Site Plan – SITE 2* and as directed by the Engineer. Saw cutting of pavement adjacent to existing electrical switchgear to remain is also required. Layout of saw cutting shall be coordinated with and approved by the Engineer prior to saw cutting work commencing.

PARCEL SPECIFICS SHEET SITE 2

- ii) Fully remove and dispose of all above grade components of BLDG 1 and BLDG 2 in accordance with the *SPECIAL PROVISION FOR COMMERCIAL BUILDINGS AND PROPERTY IMPROVEMENTS REMOVAL*. Demolition of BLDG 2 includes disconnection, removal, and disposal of the pedestrian bridge crossing W. 4th Avenue.
 - (1) Immediately following disconnection and removal of the pedestrian bridge from the Metro Center structure, secure the resulting opening in the south façade by affixing $\frac{3}{4}$ " thick plywood sheathing to the structure.
- iii) Fully remove and dispose of all below grade components of BLDG 1 and BLDG 2, including but not limited to, slabs, footings, foundations, walls, bridge piers, floor drains, and other miscellaneous features, except as noted.
 - (1) Remove existing pedestrian bridge piers to a minimum depth of 1-foot below the existing surrounding grade.
- iv) Fully remove and dispose of all ancillary features within the earth disturbance limits shown in the *Site Plan – SITE 2*, except as noted. Such features include but are not limited to trees and brush, concrete and asphalt pavement, retaining walls, concrete block walls, fencing and gates, bollards, concrete planters, and miscellaneous debris.
 - (1) Do not remove trees located within the green space in the southwest quadrant of the parcel, adjacent to Adams Street and W. 5th Avenue.
 - (2) Do not remove pavement within 5 feet of existing electrical switchgear to remain, located northwest of BLDG 1 adjacent to Adams Street.

c) Utilities

- i) Fully remove and dispose existing near surface drainage structures and associated sewer piping in accordance with the *Site Plan – SITE 2* and as directed by the Engineer.
- ii) Perform grade adjustment of existing sanitary and/or drainage structures in accordance with Section 720 of the Standard Specifications and as directed by the Engineer.
- iii) Fully remove and dispose of all existing light standards, foundations, conduit, and cabling within the earth disturbance limits shown in the *Site Plan – SITE 2*.
- iv) Plan and perform activities to ensure protection of active electrical switchgear components. If damage occurs or it becomes apparent that damage may occur, suspend work and immediately notify the Engineer.

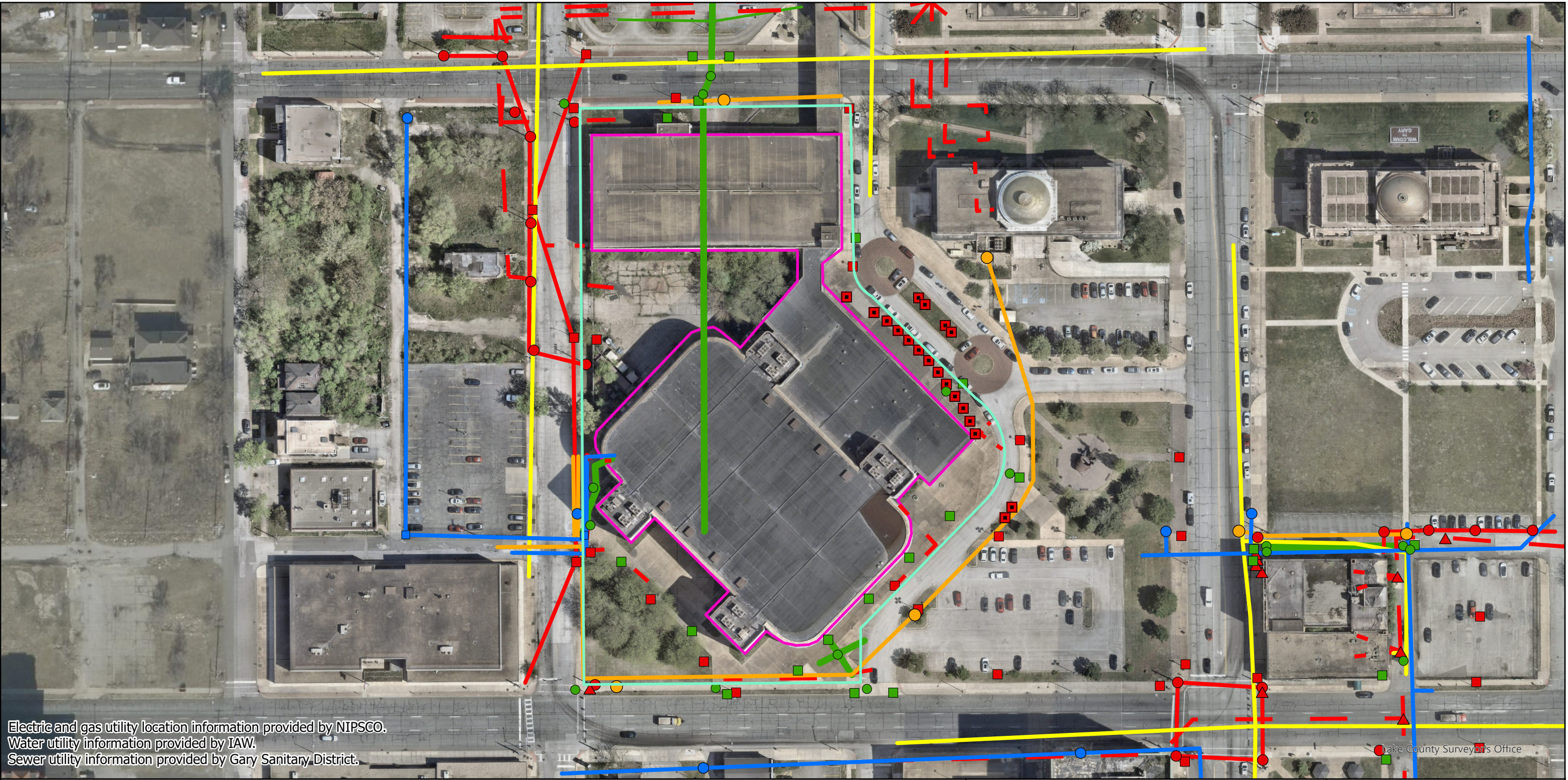
4) SPECIAL CONDITIONS

- a) Prior to implementing sidewalk closures and pedestrian detours on W. 4th Avenue, remove and replace damaged concrete sidewalk segments on the west side of Adams Street between 4th Avenue and 5th Avenue.
 - i) Replace sidewalk at the locations shown on Sheet 7 of the *Maintenance of Traffic Plans – 401 Adams Street* and as directed by the Engineer.
 - ii) Construct concrete sidewalk in accordance with Section 604 of the Standard Specifications.

PARCEL SPECIFICS SHEET

SITE 2

- b) The parking area located southwest of BLDG 1 and north of W. 5th Avenue may be used as a staging area, as identified in the *Site Plan – SITE 2*. All existing features within the staging area shall be protected throughout use, including but not limited to pavement, sidewalk, curbs, driveways, drainage structures, landscaping, and light standards and foundations. Any damage to existing features shall be repaired to the satisfaction of the Engineer at the Contractor's expense.



Electric and gas utility location information provided by NIPSCO.
 Water utility information provided by IAW.
 Sewer utility information provided by Gary Sanitary District.

Lake County Surveyor's Office

N

Target Building	Underground Electric Lines	Telecommunications Lines
Sanitary Lateral	Light Pole	Telecommunications Manhole
Sanitary Pipe	Support Structure	Water Lines
Catch Basin	Manhole	Hydrant
Manhole	Inground Light	Valve Gate Access
Overhead Electric Lines	Gas Lines	Approximate Parcel Boundary

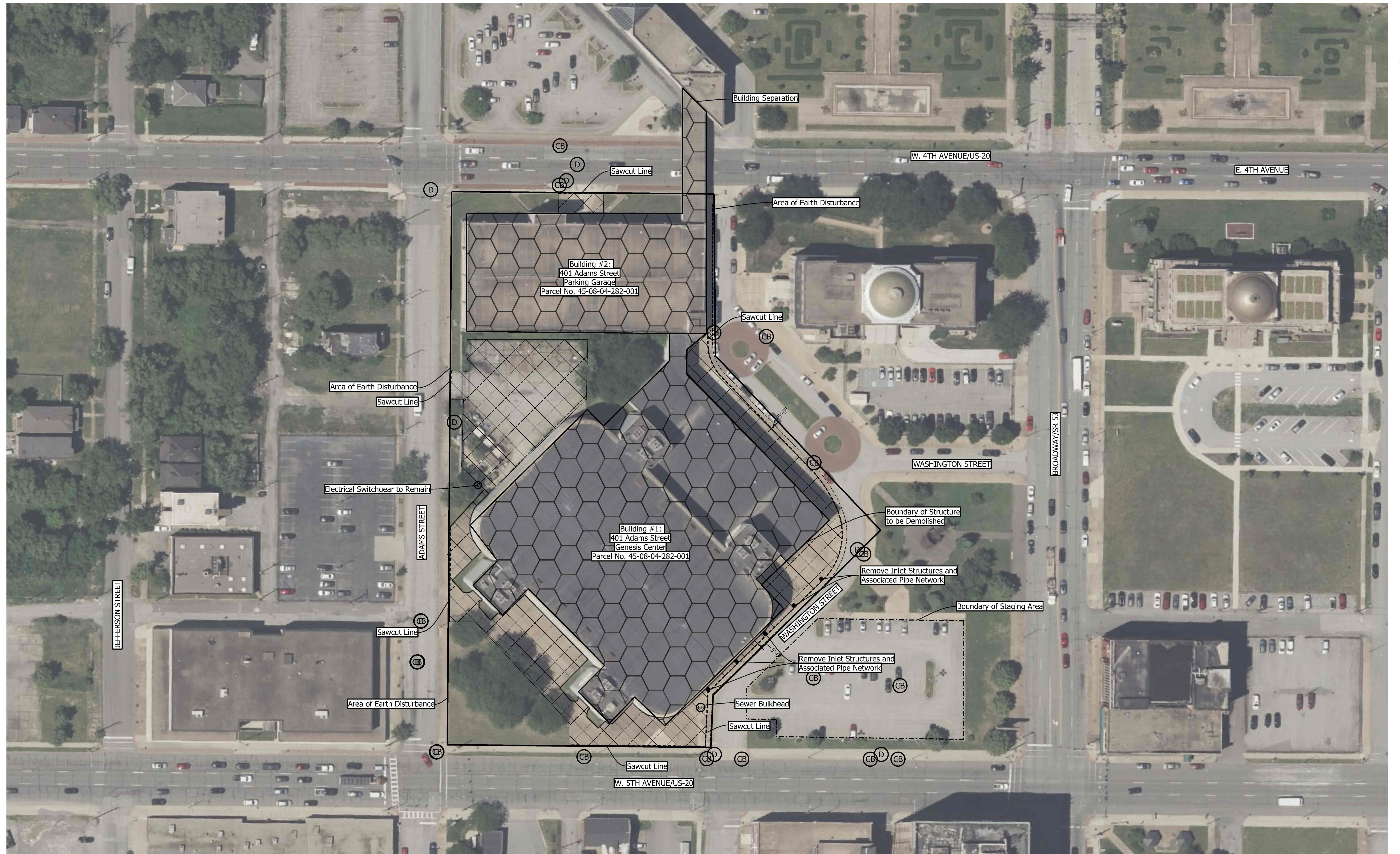
0 100 200 Feet
1 inch = 100 feet

Figure 2 Existing Utilities Map

401 Adams
Former Genesis Convention Center
Gary, IN

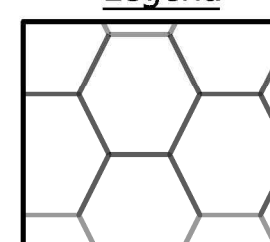
DATE 4/22/26	DRAWN BY CCM	CHECKED BY CW	PROJECT NO. 240100
-----------------	-----------------	------------------	-----------------------



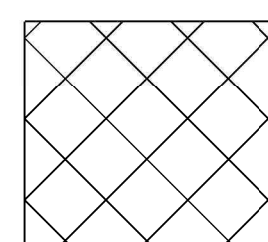


- Ⓧ Manhole Ⓞ Catch Basin ● Drainage Inlet Structure
- ⊙ Sewer Bulkhead - - - - - Staging Area Boundary
- - - - - Sawcut Line

Legend



Building #1 & #2
Above and Below
Grade Building
Demolition



Concrete
Sidewalk/
Pavement
Removal

RECOMMENDED FOR APPROVAL _____	DESIGN ENGINEER _____	DATE _____
DESIGNED: TC	DRAWN: TC	
CHECKED: XXX	CHECKED: XXX	

NORTHWEST INDIANA
REGIONAL DEVELOPMENT AUTHORITY

SITE PLAN
401 ADAMS STREET

HORIZONTAL SCALE 1" = 50'	BRIDGE FILE N.A.
VERTICAL SCALE	DESIGNATION N.A.
SURVEY BOOK	SHEETS
ELECTRONIC	1 of 1
CONTRACT	PROJECT
N.A.	XXXXXX

NORTHWEST INDIANA
REGIONAL DEVELOPMENT AUTHORITY

SPECIAL PROVISION
FOR
MAINTAINING TRAFFIC –
PARCEL NUMBERS 45-08-03-355-005 & 45-08-03-355-002

1 of 5

a. Description. This special provision consists of requirements and restrictions to maintain traffic on SR 53 (Broadway Avenue), E. 8th Avenue, and Massachusetts Street, in the city of Gary, Indiana.

b. General. Maintain traffic throughout the project in accordance with the standard drawings, maintenance of traffic plans, and specifications in the contract as described for this site.

c. Construction Influence Area (CIA). The CIA includes the right-of-way of the following roadways, within the approximate limits described below:

1. On SR 53 (Broadway Avenue) from W. 10th Avenue to E. 6th Avenue.
2. On E. 8th Avenue, from Jefferson Street to Delaware Street.
3. On Massachusetts Street from E. 10th Avenue to E. 7th Avenue.
4. On W. 7th Avenue from Washington Street to SR 53, and on E. 7th Avenue from SR 53 to Connecticut Street.
5. On E. 6th Avenue from Massachusetts Street to SR 53.
6. On W. 9th Avenue from Adams Street to SR 53.

d. Traffic Restrictions. Maintain traffic in accordance with the standard drawings, Maintenance of Traffic Plans, and specifications contained herein, except as noted below. Changes or adjustments to the maintaining traffic standard drawings and plans may be necessary to fit field conditions, subject to approval of the Engineer or as determined by the Engineer.

1. Utilize the following Maintaining Traffic Standard and Other Drawings:

- A. E 601-IAED-01
- B. E 801-TCLG-01
- C. E 801-TCCB-01 - 06
- D. E 801-TCDV-01 – 08
- E. E 801-TCSC-06
- F. E801-TCLC-12
- G. E801-TCDT-02 – 04
- H. E801-TPAR-02 – 06, 10 – 11
- I. Maintenance of Traffic Plans – 810-50 Massachusetts Street and 813-59 Broadway Avenue Demolition Project

2. Do not work, deliver material, or close lanes during the holiday periods shown in Table 1.

Table 1: 2026 - 2027 Holiday Periods

Holiday	Date
Memorial Day	Monday, May 25 th
Independence Day	Saturday, July 4 th
Labor Day	Monday, September 7 th
Columbus Day	Monday, October 12 th
Veterans Day	Wednesday, November 11 th
Thanksgiving Day	Thurs. – Fri., November 26 th – 27 th
Christmas Day	Friday, December 25 th
New Year's Day	Friday, January 1 st
Martin Luther King Jr. Day	Monday, January 18 th

3. A complete closure of EB/WB E. 8th Avenue from SR 53 to Massachusetts Street is permitted during Phase 1 demolition and site restoration activities.
4. A complete closure of EB E. 8th Avenue from SR 53 to Massachusetts Street is permitted during Phase 2 demolition and site restoration activities.
5. An inside parking lane closure on NB Massachusetts Street from E. 8th Avenue to W. 9th Avenue is permitted during Phase 1 demolition and site restoration activities.
6. A single outside lane closure on NB SR 53 from E. 8th Avenue to W. 9th Avenue is permitted during Phase 1 demolition and site restoration activities. Maintain a minimum of one NB lane and two SB lanes of traffic on SR 53 during Phase 1.
7. A complete closure of NB SR-53 from E. 8th Avenue to W. 9th Avenue is permitted during Phase 2 demolition and site restoration activities. Maintain two lanes of traffic at all times on southbound SR 53.
8. Close the alley between SR 53 and Massachusetts Street from E. 8th Avenue north to a point south of the Gary WIC Office driveway approach from Massachusetts Street. The alley is to remain open between the drive approach and E. 7th Avenue during Phase 1 demolition and site restoration activities.
9. Maintain access to all driveways and side streets from SR 53, E. 8th Avenue, and Massachusetts Street at all times, unless identified otherwise on plans.

e. Traffic General.

1. For any lane open to traffic, provide a minimum lane width of 11 feet with 2 feet of shy distance on both sides unless identified otherwise on plans.
2. Place lane closures only in areas as shown on the plans unless otherwise directed by the Engineer.

3. Prior to shifting traffic or opening any lanes, remove, by sweeping all accumulated debris that has collected within the closure area.
4. A speed reduction will not be used.
5. Protect the work area at the end of each day. Close all open access points on the project to traffic with Type III barricades or other devices approved by the Engineer.
6. The Engineer has completed the INDOT permit application for maintenance of traffic activities associated with this project, that includes the placement of the required traffic control devices within INDOT right-of-way. The Contractor is required to install and maintain any necessary traffic control devices required to safely and clearly direct traffic through or around the work zone. The Contractor shall comply with all permit requirements and INDOT General Provisions. No additional payment will be made for complying with permit or General Provisions requirements, for work in INDOT right-of-way, and for the coordination of all associated work.
7. The Contractor is responsible for notifying emergency services, transit agencies, law enforcement and schools prior to any lane closures, detours or major traffic shifts. In addition, the Contractor will be responsible for working with and complying with any coordination that is necessary with emergency services, transit agencies, law enforcement and schools.

Project notification and coordination will include community service outreach. Notify the following local community services a minimum of two weeks (14 calendar days) prior to the start of any site work, and three weeks (21 calendar days) for site work near or within any railroad right-of-way. The project information will be distributed to the Department of Revenue to assist in the reroute of OS/OW vehicles. All roadway restrictions are to be reported, prior to the start of site work.

Community Service Notification

Lake County 911 Dispatch (Fire, Police, and EMS)	(219) 660-0000	N/A
Department of Revenue	(219) 851-1251	aparkhouse@indot.in.gov cbajek@indot.in.gov lahuffman@indot.in.gov
Gary Public Schools	(219) 881-5466	N/A
U.S. Postal Service	(219) 886-8000	N/A
INDOT	(855) 463-6848	N/A
Gary Public Works	(219) 881-1310	N/A

All costs associated with the coordination efforts outlined herein will be considered included in the pay items “_Building and Property Improvements Removal, Commercial, Parcel 45-08-03-355-005” and “_Building and Property Improvements Removal, Commercial, Parcel 45-08-03-355-002.”

8. Remove all temporary traffic control devices from INDOT and the city of Gary right-of-way during any shut down periods unless needed for directly maintaining or channelizing traffic. No additional payment will be made for removal and/or redeployment of these devices.

9. Once work is initiated that includes any lane restrictions, that work must be continued daily until completed. A lack of work activity for more than 3 calendar days will require the removal of lane closures at no expense to the contract. Redeployment of all required traffic control for lane closures shall be completed at the Contractor's expense.

f. Detours.

1. Do not detour traffic until all proposed contract work on the detour route is completed, inspected, and approved by the Engineer.
2. Signs should be placed within the road right-of-way when remediation and demolition work is taking place on the structure.

g. Pedestrian or Non-Motorized Facilities.

1. Maintain all facilities in accordance with *The Americans with Disability Act (ADA)* requirements and the *Public Right-of-Way Accessibility Guidelines (PROWAG)*. Provide facilities equivalent to or better than the route a person would have encountered prior to construction activities.
2. Install temporary curb ramps as shown in the plans for the maintenance of pedestrian traffic on SR 53, north of W. 9th Avenue, and on Massachusetts Street south of E. 8th Avenue, during Phase 1 demolition and site restoration activities.
3. Close and detour any sidewalk ramps and crosswalk areas to pedestrian traffic that are impacted by the work as shown in the plans.
4. Keep sidewalk areas clear of any equipment or materials at all times as the sidewalks outside of closure areas are open to pedestrian traffic.

h. Traffic Control Devices. Ensure all traffic control devices are in accordance with the INDOT 2026 Standard Specifications and must meet the "acceptable" criteria as defined in the ATSSA publication entitled "*Quality Guidelines for Temporary Traffic Control Devices and Features*" at the time of initial deployment.

1. During non-working periods, place applicable advance signs face down and remove channelizing devices from the public right-of-way, as directed by the Engineer, at no additional cost to the contract.
2. Notify the Engineer 24 hours in advance of when traffic control devices are being delivered to the project site, to allow for initial inspection of devices to take place.

3. Remove from the project site all traffic control devices (including detour signing) no longer needed for site remediation or demolition within 14 calendar days of reopening a lane/roadway.

4. Channelizing Devices.

A. Ensure all devices have sufficient ballast to prevent moving or tipping. If moving or tipping occurs, place additional ballast, as directed by the Engineer, at no additional cost to the contract. No more than two ballasts are allowed on each channelizing device.

B. Do not use caution tape on this project.

C. Space channelizing devices at 10 feet for tapers and 25 feet for tangents or tighter as directed by the Engineer.

i. Temporary Barrier (TB) and Impact Attenuators.

1. Place temporary concrete barrier with the flow of the traffic. Place the end treatment first when deploying the TB and remove the end treatment last when removing the TB.

2. Do not place TB on slopes that are steeper than 1:10.

3. Place TB in accordance with the Standard Drawing Series E801-TCCB. At no time will traffic be exposed to the blunt end of TB or permanent barrier wall without proper attenuation.

j. Measurement and Payment. Payment for all maintenance of traffic devices and operations, as defined herein, is included in the pay items “_Building and Property Improvements Removal, Commercial, Parcel 45-08-03-355-005” and “_Building and Property Improvements Removal, Commercial, Parcel 45-08-03-355-002”. No additional payment will be made for the following activities:

1. Transporting traffic control items around the site or within the CIA.

2. Providing sufficient vehicles and staff to make changes as-needed on site during work.

3. Providing sufficient vehicles and staff to remove closures from the roadway.

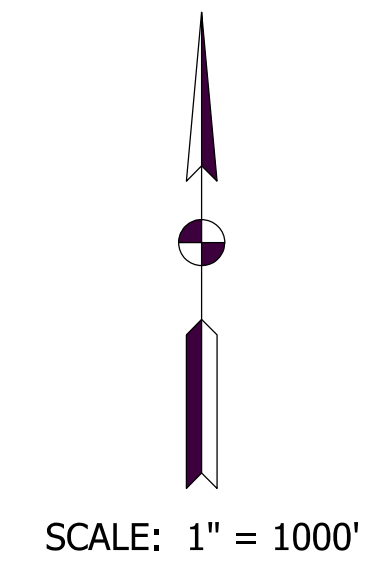
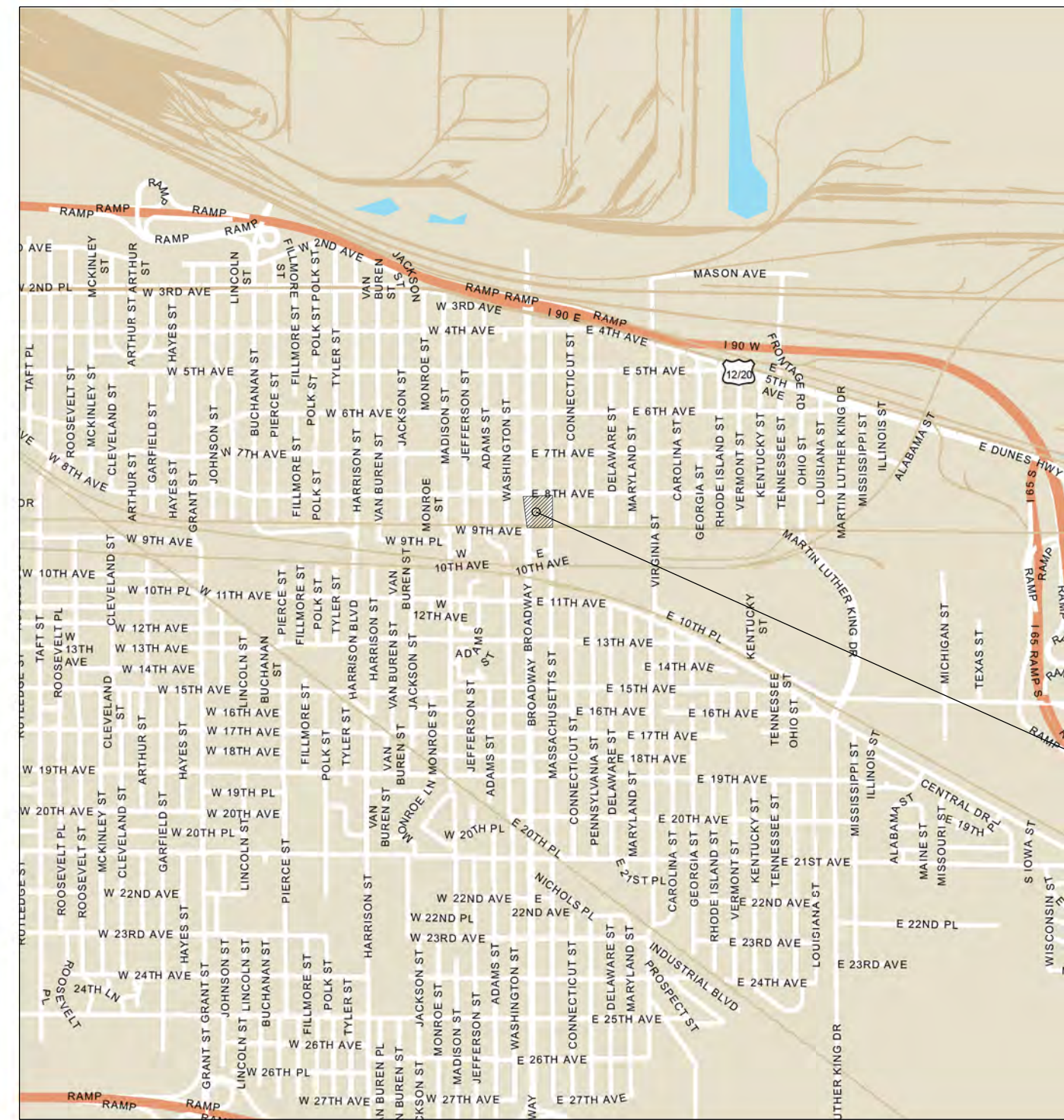
4. Providing additional traffic control devices required to expedite contract items of work for the convenience of the Contractor.

NORTHWEST INDIANA REGIONAL DEVELOPMENT AUTHORITY

MAINTENANCE OF TRAFFIC PLANS GARY COMMERCIAL BLIGHT ELIMINATION

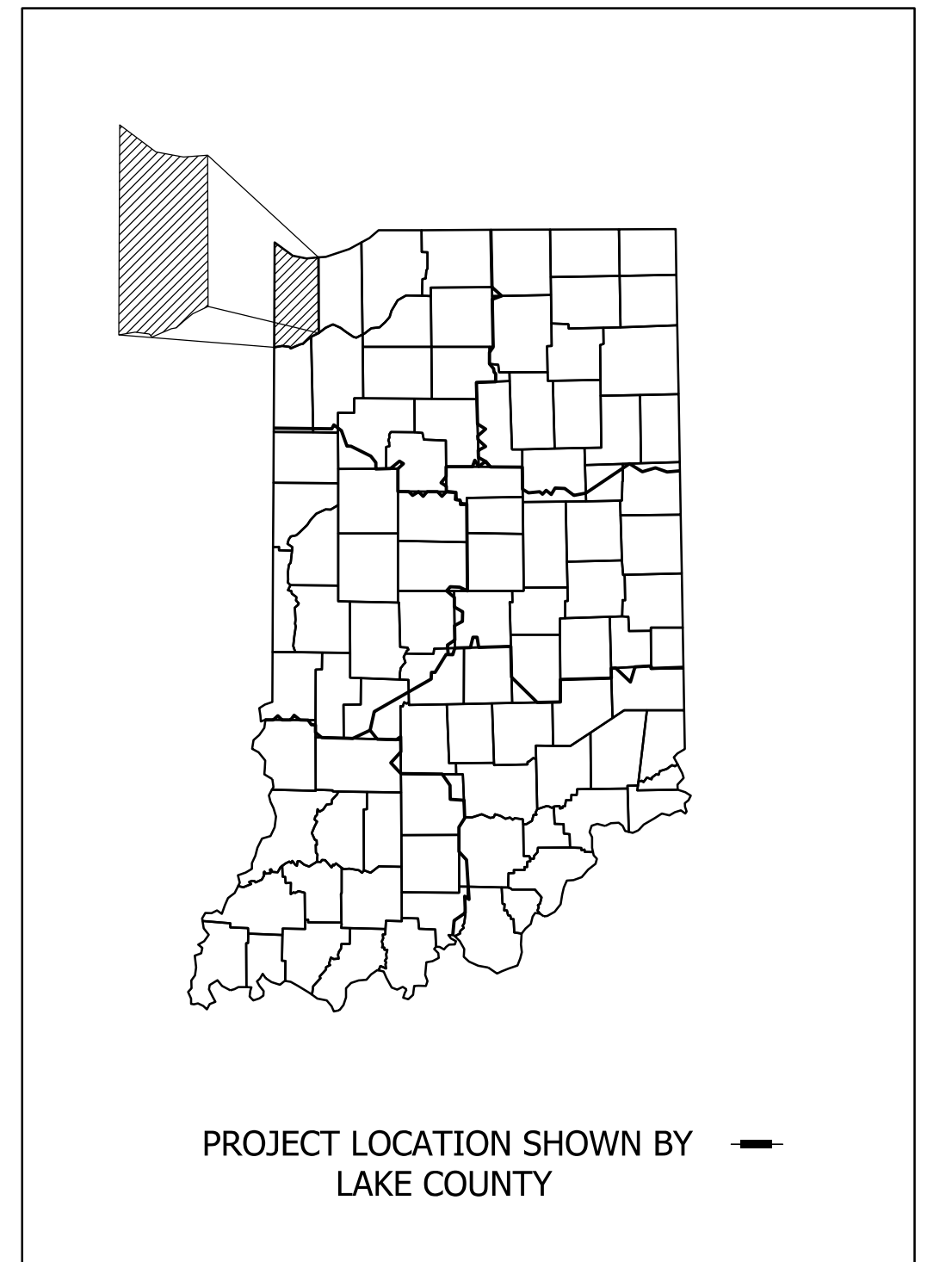
810 Massachusetts Street 45-08-03-355-005 and 813 Broadway Avenue 45-08-03-355-002

810 Massachusetts Street and 813 Broadway Avenue
Section 3, T-36-N, R-8-W, Gary, Lake County, Indiana



SCALE: 1" = 1000'

810 MASSACHUSETTS ST
813 BROADWAY AVE



PROJECT LOCATION SHOWN BY
LAKE COUNTY

LATITUDE: 41.60243 LONGITUDE: -87.33685

INDIANA DEPARTMENT OF TRANSPORTATION
STANDARD SPECIFICATIONS DATED 2024
TO BE USED WITH THESE PLANS

PLANS
PREPARED BY: INFRASTRUCTURE ENGINEERING, INC. (317) 243-9800
PHONE NUMBER

CERTIFIED BY: _____ DATE _____

APPROVED
FOR LETTING: _____ DATE _____

	DESIGNATION
SURVEY BOOK	SHEETS
CONTRACT	of PROJECT

STANDARD PLANS

TRAFFIC CONTROL LEGEND AND GENERAL NOTES	E 801-TCLG-01
TEMPORARY CONCRETE BARRIER INDEX SHEET	E 801-TCCB-01
TEMPORARY CONCRETE BARRIER DIMENSIONS AND FLARE RATES	E 801-TCCB-02
TEMPORARY CONCRETE BARRIER DETAILS	E 801-TCCB-03
TEMPORARY CONCRETE BARRIER DOUBLE TAPER END SECTION	E 801-TCCB-04
ANCHORED TEMPORARY CONCRETE BARRIER, DROP-IN ANHCOR	E 801-TCCB-05
ANCHORED TEMPORARY CONCRETE BARRIER FERRULE LOOP INSERT	E 801-TCCB-06
TRAFFIC CONTROL DEVICES INDEX AND GENERAL NOTES	E 801-TCDV-01
CHANNELIZING DEVICES	E 801-TCDV-02
MERGE OR SHIFT TAPER	E 801-TCDV-03
CHANNELIZING DEVICE USAGE	E 801-TCDV-04
TYPE III BARRICADE	E 801-TCDV-05
TYPICAL CONSTRUCTION SIGN MOUNTING	E 801-TCDV-06
TYPE III BARRICADE APPLICATION FOR ROAD CLOSURE FOR THRU TRAFFIC	E 801-TCDV-07
TYPE III BARRICADE APPLICATION FOR ROAD CLOSURE TO ALL TRAFFIC	E 801-TCDV-08
SHOULDER CLOSURE ON TWO LANE HIGHWAY WITH LOCAL ACCESS	E 801-TCSC-06
SHORT OR INTERMEDIATE TERM STATIONARY LANE CLOSURE ON THREE LANE ROAD	E 801-TCLC-12
URBAN DETOUR	E 801-TCDT-02
URBAN DETOUR WITH ONE-WAY STREETS	E 801-TCDT-03
URBAN ROUTE MARKER ASSEMBLIES	E 801-TCDT-04
PEDESTRIAN DETOUR CORNER CLOSURE	E 801-TPAR-02
PEDESTRIAN DETOUR CROSSWALK CLOSURE	E 801-TPAR-03
PEDESTRIAN DETOUR FULL BLOCK CLOSURE	E 801-TPAR-04
PEDESTRIAN DETOUR MULTI-BLOCK CLOSURE	E 801-TPAR-05
PEDESTRIAN DETOUR MIDBLOCK CLOSURE	E 801-TPAR-06
TEMPORARY CURB RAMPS	E 801-TPAR-10
TEMPORARY PEDESTRIAN CHANNELIZER	E 801-TPAR-11
IMPACT ATTENUATOR ED LAYOUT	E 601-JAED-01

SHEET INDEX

Name	Page #
Cover Sheet	
Project Information Sheet	1
810 Massachusetts St. & 813 Broadway Ave. Typical Section (E 8th Ave)	2
810 Massachusetts St. & 813 Broadway Ave. Typical Section (Massachusetts St.)	3
810 Massachusetts St. & 813 Broadway Ave. Typical Section (Broadway / SR-53)	4
810 Massachusetts St. & 813 Broadway Ave. STG Sheet Phase 1	5
810 Massachusetts St. & 813 Broadway Ave. STG Sheet Phase 2	6
810 Massachusetts St. & 813 Broadway Ave. Misc. Details	7
810 Massachusetts St. & 813 Broadway Ave. Pedestrian Staging Sheet Phase 1	8
810 Massachusetts St. & 813 Broadway Ave. Detour Routes (8th Ave Full Closure)	9
810 Massachusetts St. & 813 Broadway Ave. Detour Routes (Broadway / SR-53)	10
810 Massachusetts St. & 813 Broadway Ave. Detour Routes (8th Ave Partial Closure)	11



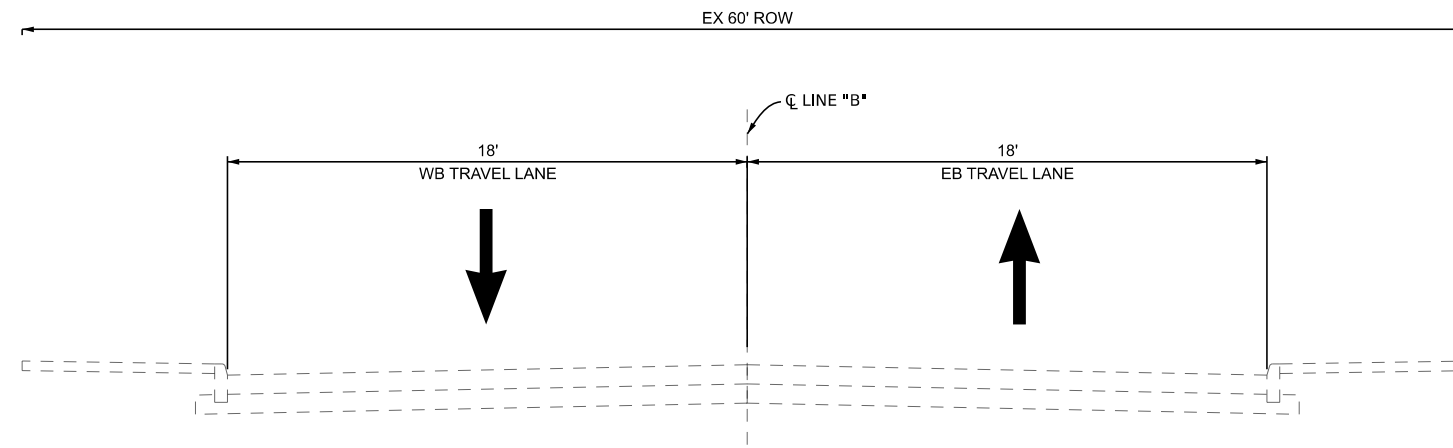
RECOMMENDED FOR APPROVAL _____ DESIGN ENGINEER _____ DATE _____

DESIGNED: MA 4/28/25 DRAWN: _____

CHECKED: _____ CHECKED: _____

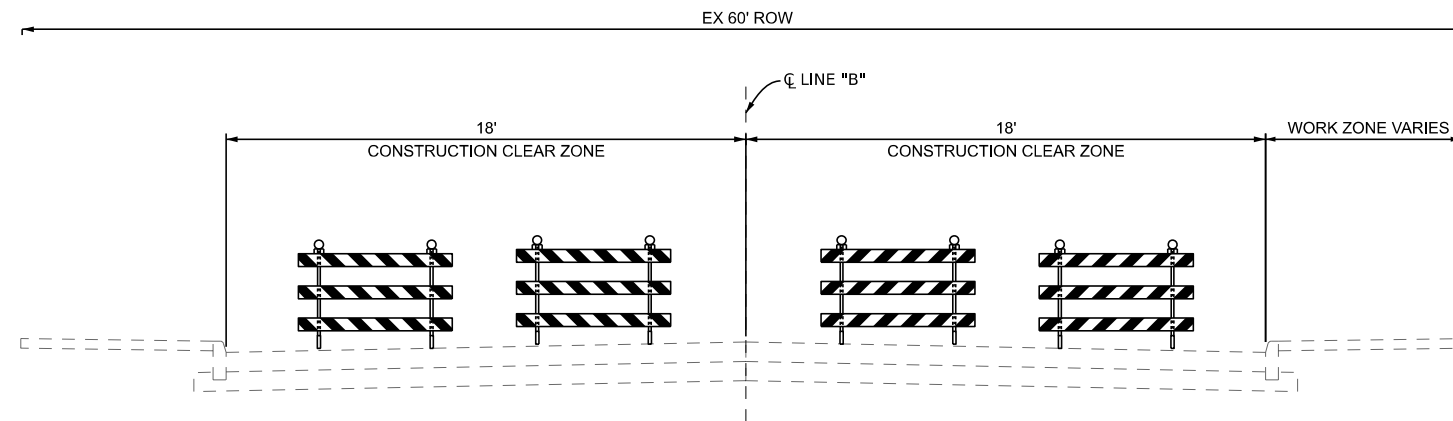
NORTHWEST INDIANA REGIONAL DEVELOPMENT AUTHORITY
 810 MASSACHUSETTS ST./ 813 BROADWAY AVE.
 PROJECT INFO SHEET
 GARY BLIGHT ELIMINATION PROGRAM

HORIZONTAL SCALE	BRIDGE FILE
N/A	N/A
VERTICAL SCALE	DESIGNATION
N/A	N/A
SURVEY BOOK	SHEETS
TBD	1 of 11
CONTRACT	PROJECT
N/A	GARY INDIANA MOT ROUTES



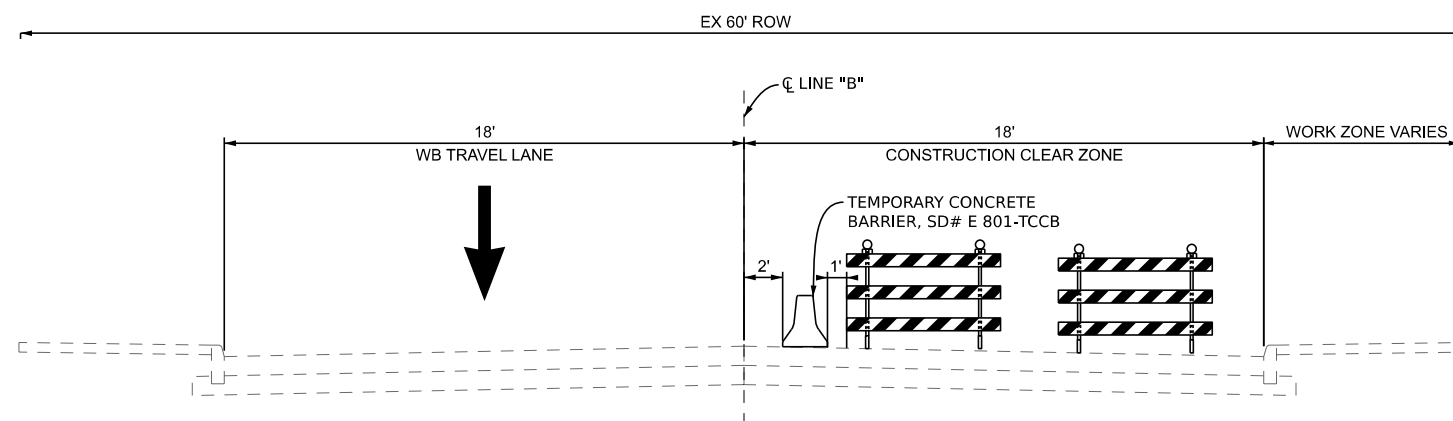
EXISTING E 8TH AVE NORMAL SECTION

SECTION APPLIES TO:
SR 53 TO W MASSACHUSETTS STREET



E 8TH AVE MOT PHASE 1

SECTION APPLIES TO:
SR 53 TO W MASSACHUSETTS STREET



E 8TH AVE MOT PHASE 2

SECTION APPLIES TO:
SR 53 TO W MASSACHUSETTS STREET

NOTES:

1. All signs, barricades, and pavement markings shall conform to the latest edition of the Indiana Manual on Uniform Traffic Control Devices for Streets and Highways, INDOT Standard Drawings, and any currently supplements thereto.
2. All signals are to be reviewed in each phase and temporary modifications shall be coordinated by the contractor. Payment for temporary modifications and restoration of all modifications shall be included in the cost of maintaining traffic.
3. Duration of each MOT phase will be in accordance with the special provision for MOT and the project log.

LEGEND

- ③④ Temporary Pavement Marking, Removable, 6 IN. (White)
- ③⑤ Temporary Pavement Marking, Removable, 6 IN. (Yellow)

- ③⑥ Temporary Pavement Marking, Removable, 6 IN., Dotted, (White)
- Construction Clear Zone
- MOT Barrels with 50' spacing
- Traffic Flow Arrow

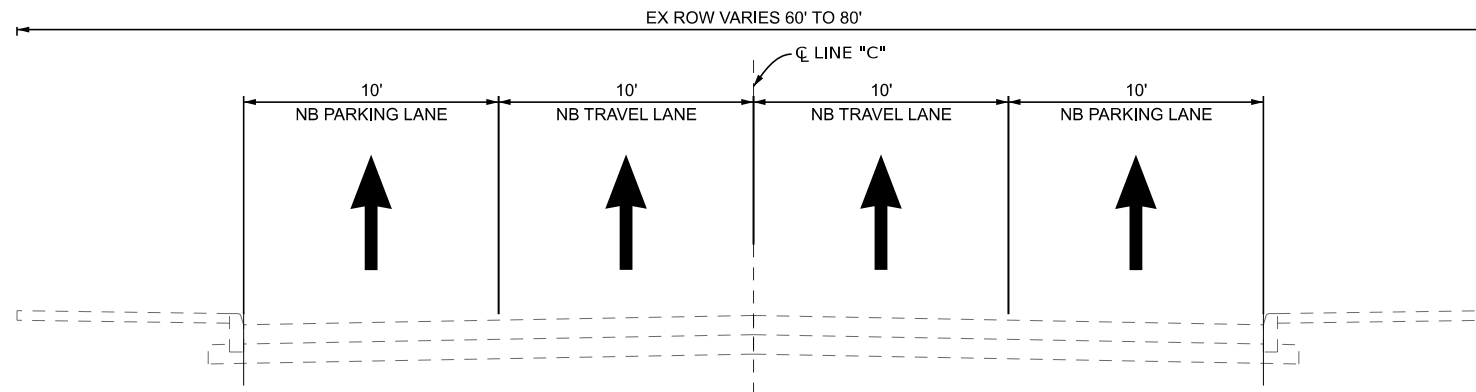
- Type III Barricade
- Temporary Concrete Jersey Barrier
- Building Demolition

INFRASTRUCTURE ENGINEERING | OF MICHIGAN, LLC
3031 W. Grand Blvd | Suite 530 | Detroit, MI 48202
P 313.243.8800 | F 313.243.9000 | www.infrastructure-eng.com

RECOMMENDED FOR APPROVAL	DESIGN ENGINEER	DATE
DESIGNED: MA	4/28/25	DRAWN:
CHECKED:	CHECKED:	

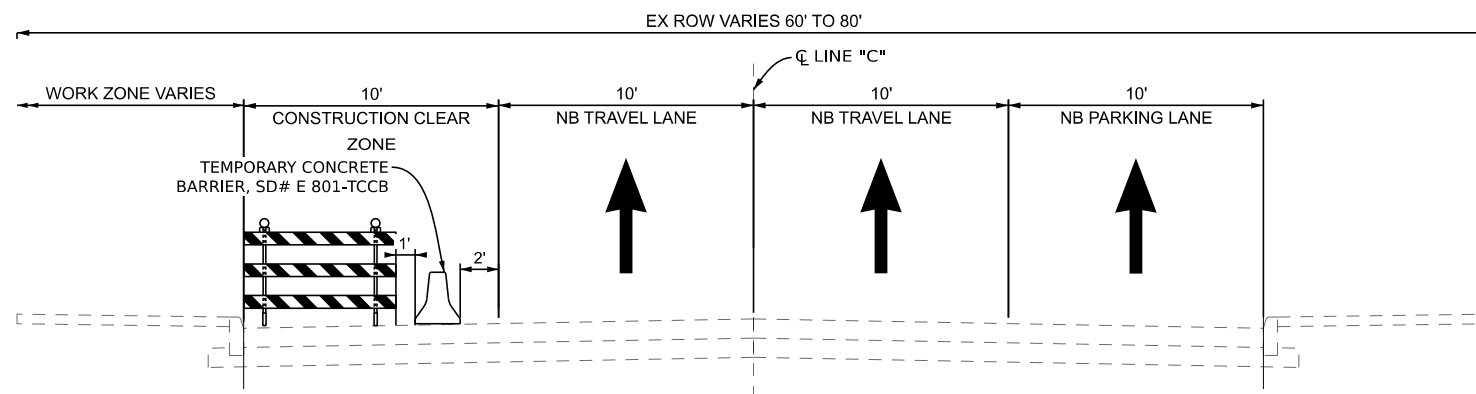
NORTHWEST INDIANA REGIONAL DEVELOPMENT AUTHORITY
**MOT 810 MASSACHUSETTS ST/
813 BROADWAY AVE, TYPICALS
GARY BLIGHT ELIMINATION PROGRAM**

HORIZONTAL SCALE	BRIDGE FILE
N/A	N/A
VERTICAL SCALE	DESIGNATION
N/A	N/A
SURVEY BOOK	SHEETS
TBD	2 of 11
CONTRACT	PROJECT
N/A	GARY INDIANA MOT ROUTES



EXISTING MASSACHUSETTS ST NORMAL SECTION

SECTION APPLIES TO:
E 8TH AVENUE TO E 10TH AVENUE



MASSACHUSETTS ST MOT PHASE 1

SECTION APPLIES TO:
E 8TH AVENUE TO E 10TH AVENUE

NOTES:

1. All signs, barricades, and pavement markings shall conform to the latest edition of the Indiana Manual on Uniform Traffic Control Devices for Streets and Highways, INDOT Standard Drawings, and any currently supplements thereto.
2. All signals are to be reviewed in each phase and temporary modifications shall be coordinated by the contractor. Payment for temporary modifications and restoration of all modifications shall be included in the cost of maintaining traffic.
3. Duration of each MOT phase will be in accordance with the special provision for MOT and the project log.

LEGEND

- ③④ Temporary Pavement Marking, Removable, 6 IN. (White)
- ③⑤ Temporary Pavement Marking, Removable, 6 IN. (Yellow)

- ③⑥ Temporary Pavement Marking, Removable, 6 IN., Dotted, (White)
- Construction Clear Zone
- MOT Barrels with 50' spacing
- Traffic Flow Arrow

- Type III Barricade
- Temporary Concrete Jersey Barrier
- Building Demolition

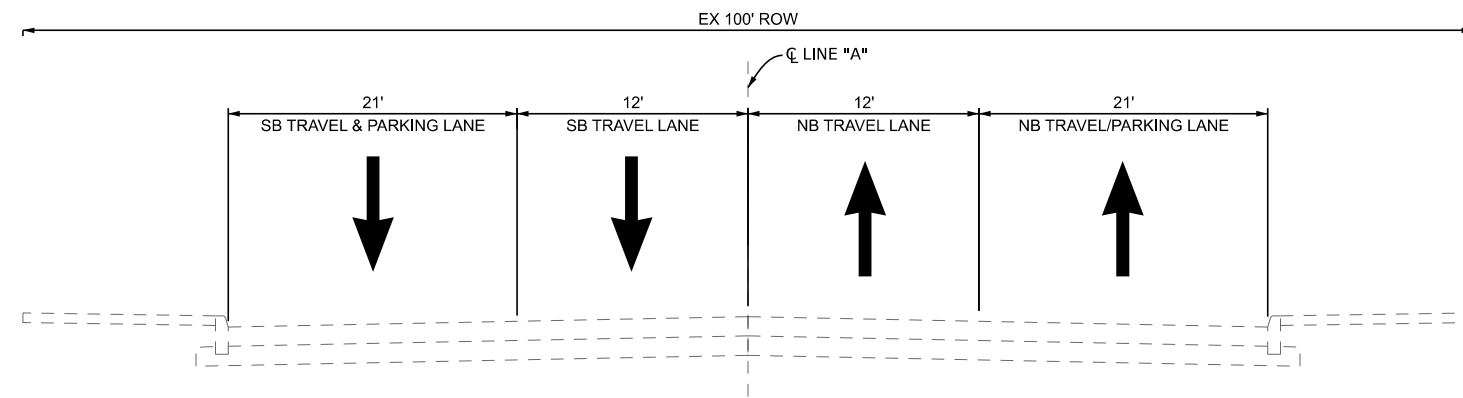
INFRASTRUCTURE ENGINEERING | OF MICHIGAN, LLC
 3031 W. Grand Blvd | Suite 530 | Detroit, MI 48202
 P 313.243.8800 | F 313.243.9300 | www.infrastructure-eng.com

RECOMMENDED FOR APPROVAL _____	DESIGN ENGINEER _____	DATE _____
DESIGNED: MA _____	4/28/25	DRAWN: _____
CHECKED: _____		CHECKED: _____

NORTHWEST INDIANA REGIONAL DEVELOPMENT AUTHORITY

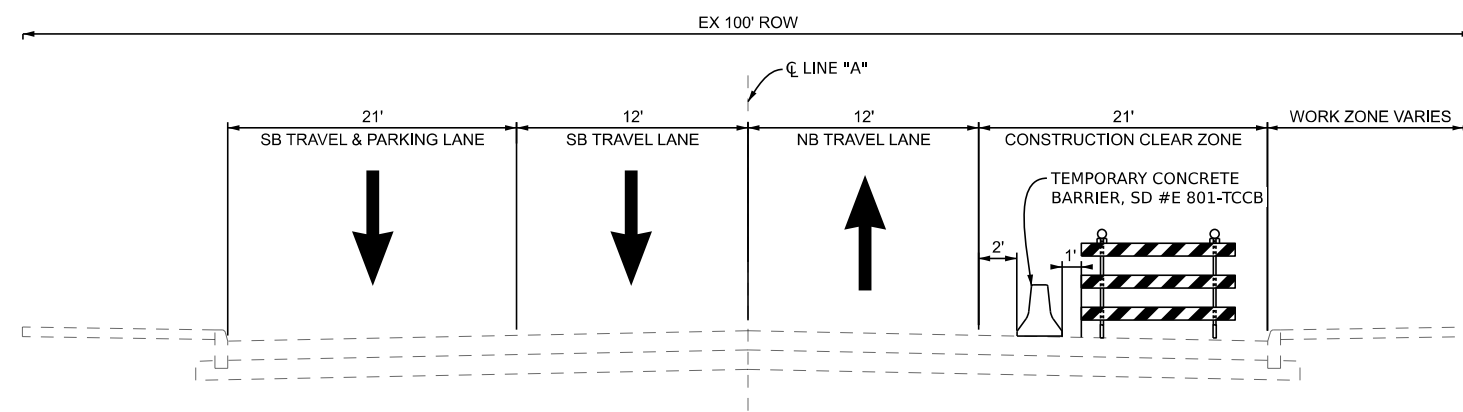
**MOT 810 MASSACHUSETTS ST/
813 BROADWAY AVE, PHASE 1 TYPICALS
GARY BLIGHT ELIMINATION PROGRAM**

HORIZONTAL SCALE	BRIDGE FILE
N/A	N/A
VERTICAL SCALE	DESIGNATION
N/A	N/A
SURVEY BOOK	SHEETS
TBD	3 of 11
CONTRACT	PROJECT
N/A	GARY INDIANA MOT ROUTES



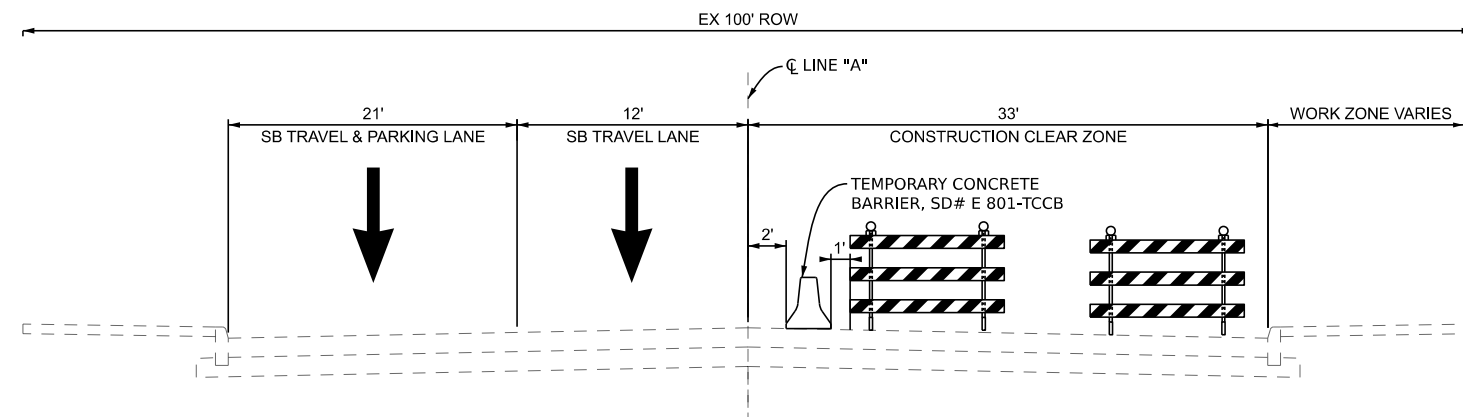
EXISTING SR-53 (BROADWAY AVE) NORMAL SECTION

SECTION APPLIES TO:
E 8TH AVENUE TO W 9TH AVENUE



SR-53 (BROADWAY AVE) MOT PHASE 1

SECTION APPLIES TO:
E 8TH AVENUE TO W 9TH AVENUE



SR-53 (BROADWAY AVE) MOT PHASE 2

SECTION APPLIES TO:
E 8TH AVENUE TO W 9TH AVENUE

NOTES:

- All signs, barricades, and pavement markings shall conform to the latest edition of the Indiana Manual on Uniform Traffic Control Devices for Streets and Highways, INDOT Standard Drawings, and any currently supplements thereto.
- All signals are to be reviewed in each phase and temporary modifications shall be coordinated by the contractor. Payment for temporary modifications and restoration of all modifications shall be included in the cost of maintaining traffic.
- Duration of each MOT phase will be in accordance with the special provision for MOT and the project log.

LEGEND

- ③④ Temporary Pavement Marking, Removable, 6 IN. (White)
- ③⑤ Temporary Pavement Marking, Removable, 6 IN. (Yellow)

- ③⑥ Temporary Pavement Marking, Removable, 6 IN., Dotted, (White)
- Construction Clear Zone
- MOT Barrels with 50' spacing
- Traffic Flow Arrow

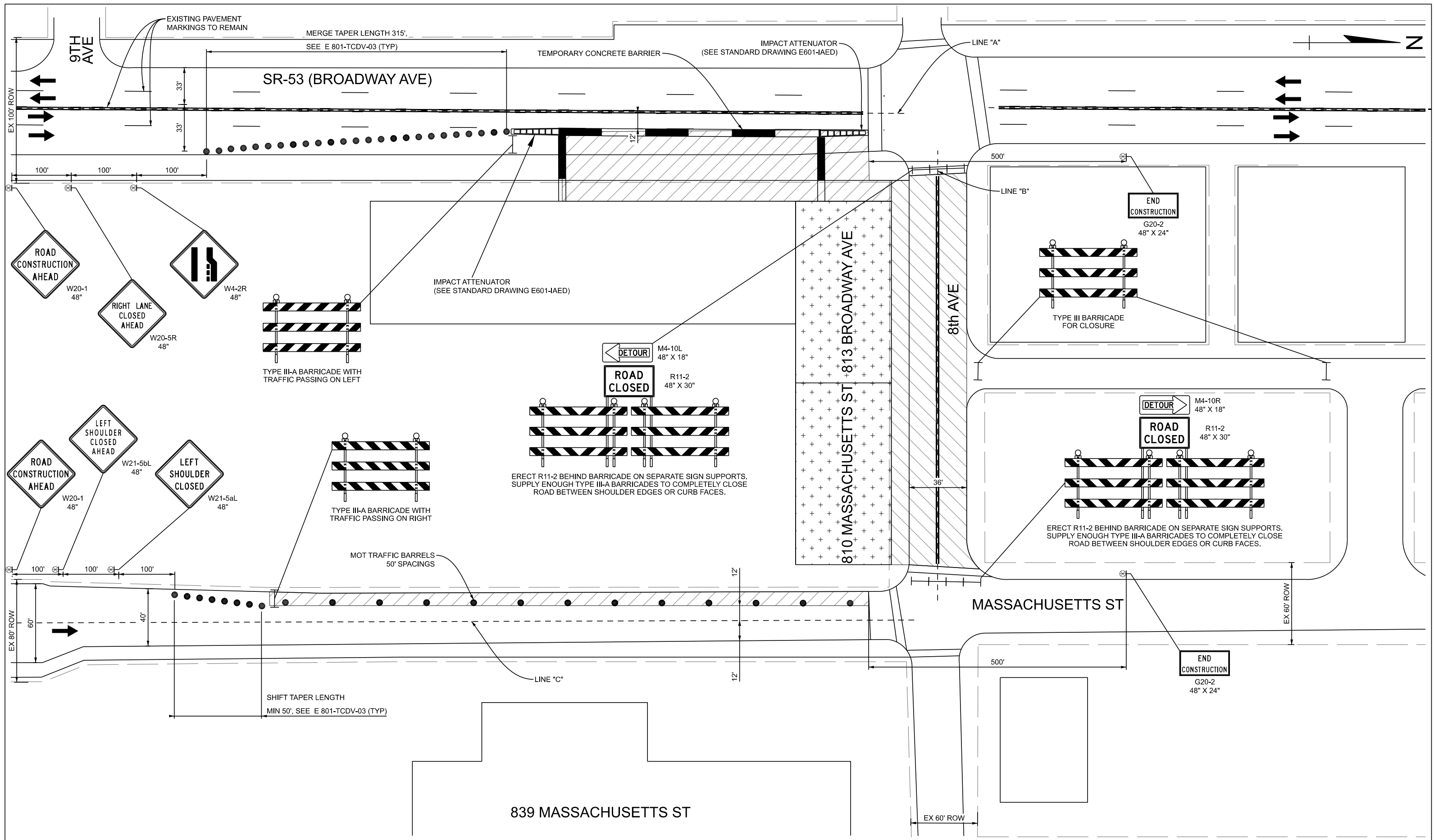
- Type III Barricade
- Temporary Concrete Jersey Barrier
- Building Demolition

INFRASTRUCTURE ENGINEERING | OF MICHIGAN, LLC
3031 W. Grand Blvd | Suite 530 | Detroit, MI 48202
P 313.243.8800 | F 313.243.9300 | www.infrastructure-eng.com

RECOMMENDED FOR APPROVAL	DESIGN ENGINEER	DATE
DESIGNED: MA	4/28/25	DRAWN:
CHECKED:	CHECKED:	

NORTHWEST INDIANA REGIONAL DEVELOPMENT AUTHORITY
MOT 810 MASSACHUSETTS ST/ 813 BROADWAY AVE, TYPICALS
GARY BLIGHT ELIMINATION PROGRAM

HORIZONTAL SCALE	BRIDGE FILE
N/A	N/A
VERTICAL SCALE	DESIGNATION
N/A	N/A
SURVEY BOOK	SHEETS
TBD	4 of 11
CONTRACT	PROJECT
N/A	GARY INDIANA MOT ROUTES



LEGEND	
	Temporary Pavement Marking, Removable, 4 IN. (White)
	Temporary Pavement Marking, Removable, 4 IN. (Yellow)
	Temporary Pavement Marking, Removable, 4 IN., Dotted, (White)
	Construction Clear Zone
	MOT Barrels with 50' spacing
	Traffic Flow Arrow
	Type III Barricade
	Temporary Concrete Jersey Barrier
	Building Demolition

INFRASTRUCTURE ENGINEERING OF MICHIGAN, LLC
3031 W. Grand Blvd Suite 530 | Detroit, MI 48202
P 313.243.8800 | F 313.243.9100 | www.infrastructure-eng.com

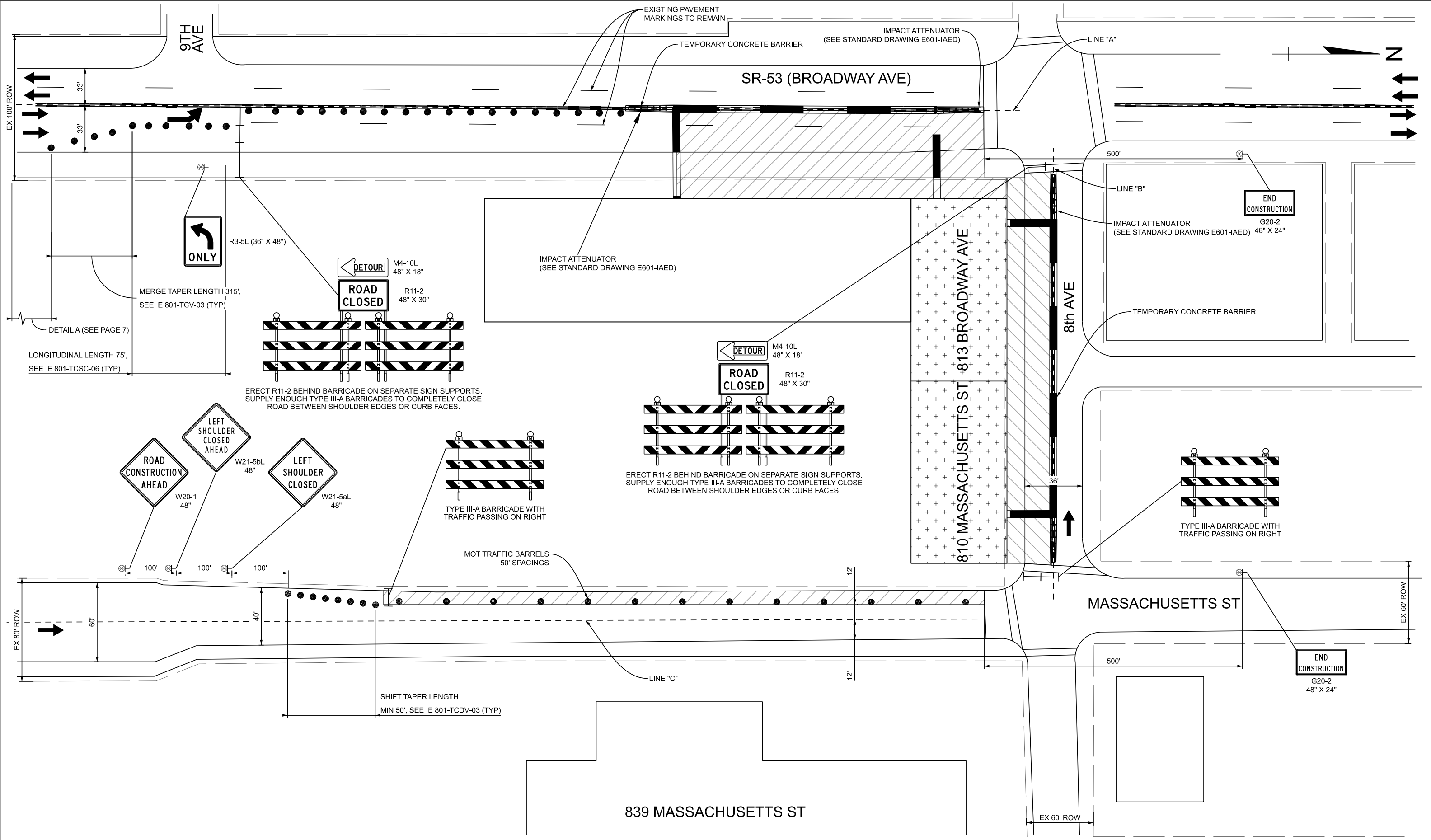
RECOMMENDED FOR APPROVAL	DESIGN ENGINEER	DATE
DESIGNED: RVE	4/28/25	DRAWN:
CHECKED:		CHECKED:

NORTHWEST INDIANA REGIONAL DEVELOPMENT AUTHORITY

MOT 810 MASSACHUSETTS / 813 BROADWAY STAGING SHEET PHASE 1

GARY BLIGHT ELIMINATION PROGRAM

HORIZONTAL SCALE	BRIDGE FILE
N/A	N/A
VERTICAL SCALE	DESIGNATION
N/A	N/A
SURVEY BOOK	SHEETS
TBD	5 of 11
CONTRACT	PROJECT
N/A	GARY INDIANA MOT ROUTES



LEGEND	
	Temporary Pavement Marking, Removable, 4 IN. (White)
	Temporary Pavement Marking, Removable, 4 IN. (Yellow)
	Temporary Pavement Marking, Removable, 4 IN., Dotted, (White)
	Construction Clear Zone
	MOT Barrels with 50' spacing
	Traffic Flow Arrow
	Type III Barricade
	Temporary Concrete Jersey Barrier
	Building Demolition

INFRASTRUCTURE ENGINEERING | OF MICHIGAN, LLC
3031 W. Grand Blvd| Suite 530 | Detroit, MI 48202
P: 313.243.9800 | F: 313.243.9100 | www.infrastructure-eng.com

RECOMMENDED FOR APPROVAL _____ DESIGN ENGINEER _____ DATE _____

DESIGNED: RVE 4/28/25 DRAWN: _____

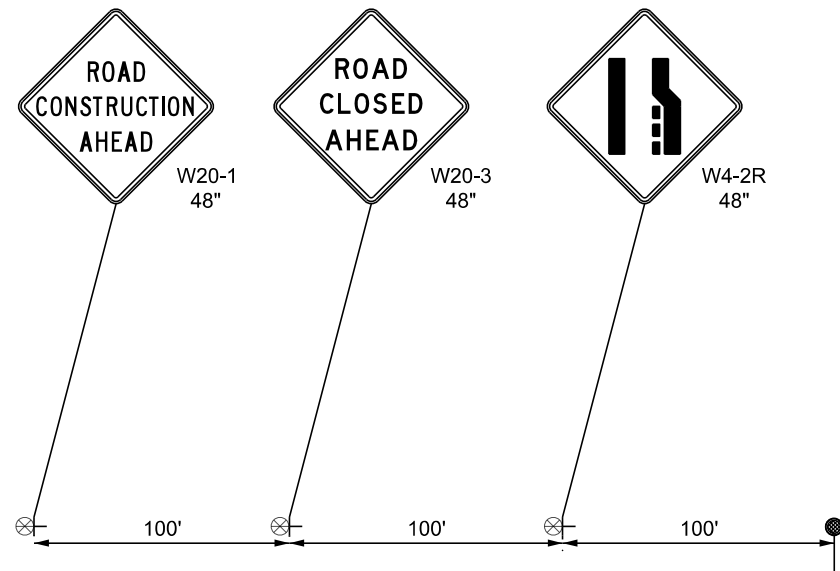
CHECKED: _____ CHECKED: _____

NORTHWEST INDIANA REGIONAL DEVELOPMENT AUTHORITY

MOT 810 MASSACHUSETTS / 813 BROADWAY STAGING SHEET PHASE 2

GARY BLIGHT ELIMINATION PROGRAM

HORIZONTAL SCALE	BRIDGE FILE
N/A	N/A
VERTICAL SCALE	DESIGNATION
N/A	N/A
SURVEY BOOK	SHEETS
TBD	6 of 11
CONTRACT	PROJECT
N/A	GARY INDIANA MOT ROUTES



BROADWAY AVE ADVANCE WARNING SIGNS DETAIL A

SECTION APPLIES TO:
NB BROADWAY AVE

LEGEND

- ③④ Temporary Pavement Marking, Removable, 6 IN. (White)
- ③⑤ Temporary Pavement Marking, Removable, 6 IN. (Yellow)

- ③⑥ Temporary Pavement Marking, Removable, 6 IN., Dotted, (White)
- Construction Clear Zone
- MOT Barrels with 50' spacing
- Traffic Flow Arrow

- Type III Barricade
- Temporary Concrete Jersey Barrier
- Building Demolition

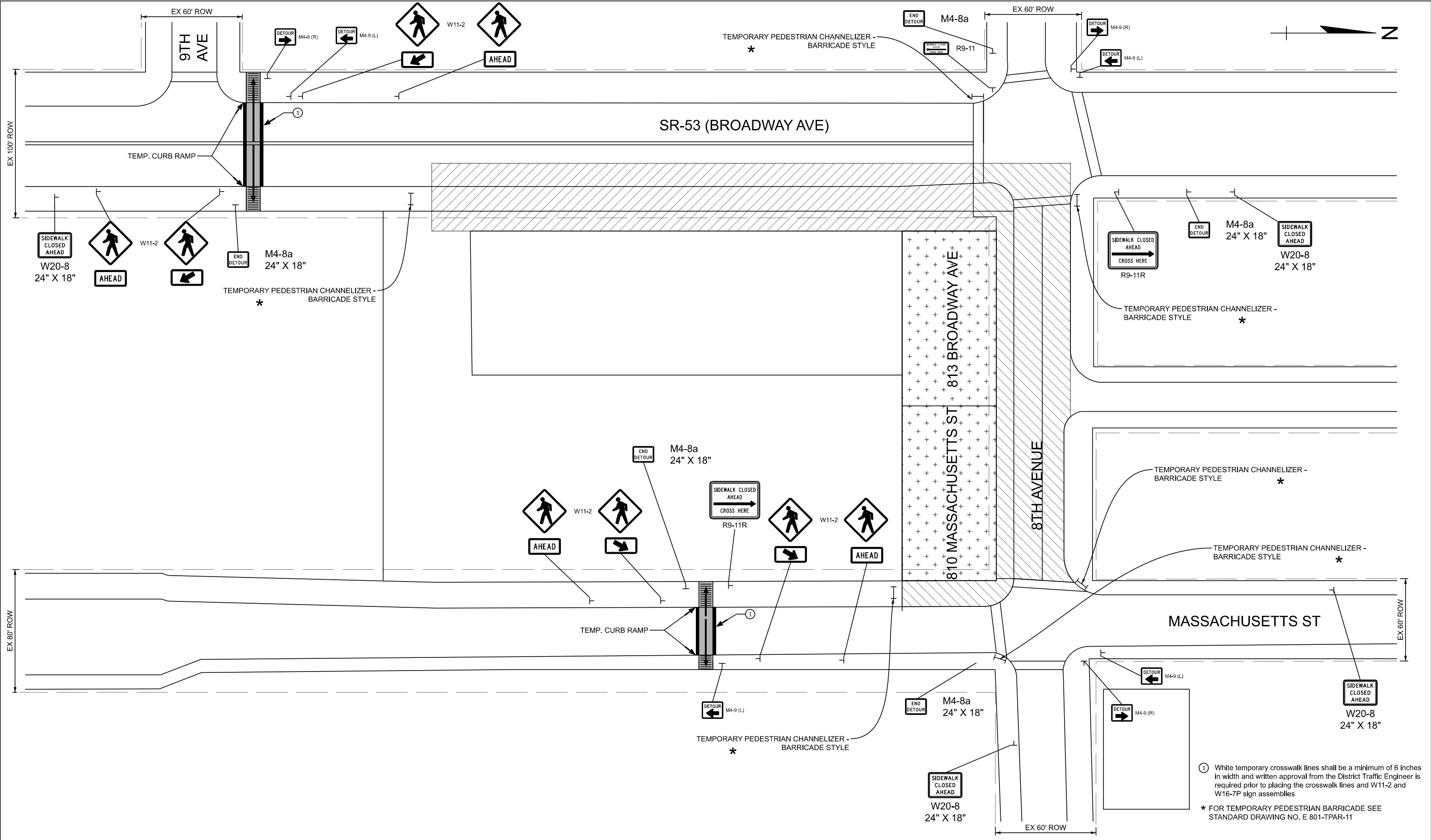
INFRASTRUCTURE ENGINEERING | OF MICHIGAN, LLC
 3031 W. Grand Blvd | Suite 530 | Detroit, MI 48202
 P 313.243.8800 | F 313.243.9100 | www.infrastructure-eng.com

RECOMMENDED FOR APPROVAL _____	DESIGN ENGINEER _____	DATE _____
DESIGNED: RVE _____	4/28/25	DRAWN: _____
CHECKED: _____		CHECKED: _____

NORTHWEST INDIANA REGIONAL DEVELOPMENT AUTHORITY

**MOT 813 BROADWAY AVE MISC DETAILS
GARY BLIGHT ELIMINATION PROGRAM**

HORIZONTAL SCALE	BRIDGE FILE
N/A	N/A
VERTICAL SCALE	DESIGNATION
N/A	N/A
SURVEY BOOK	SHEETS
TBD	7 of 11
CONTRACT	PROJECT
N/A	GARY INDIANA MOT ROUTES



① White temporary crosswalk lines shall be a minimum of 6 inches in width and written approval from the District Traffic Engineer is required prior to placing the crosswalk lines and W11-2 and W16-7P sign assemblies

* FOR TEMPORARY PEDESTRIAN BARRICADE SEE STANDARD DRAWING NO. E 801-TPAR-11

LEGEND	
③④	Temporary Pavement Marking, Removable, 6 IN. (White)
③⑤	Temporary Pavement Marking, Removable, 6 IN. (Yellow)
③⑥	Temporary Pavement Marking, Removable, 6 IN., Dotted, (White)
	Construction Clear Zone
	MOT Barrels with 50' spacing
	Traffic Flow Arrow
	Type III Barricade
	Temporary Concrete Jersey Barrier
	Building Demolition

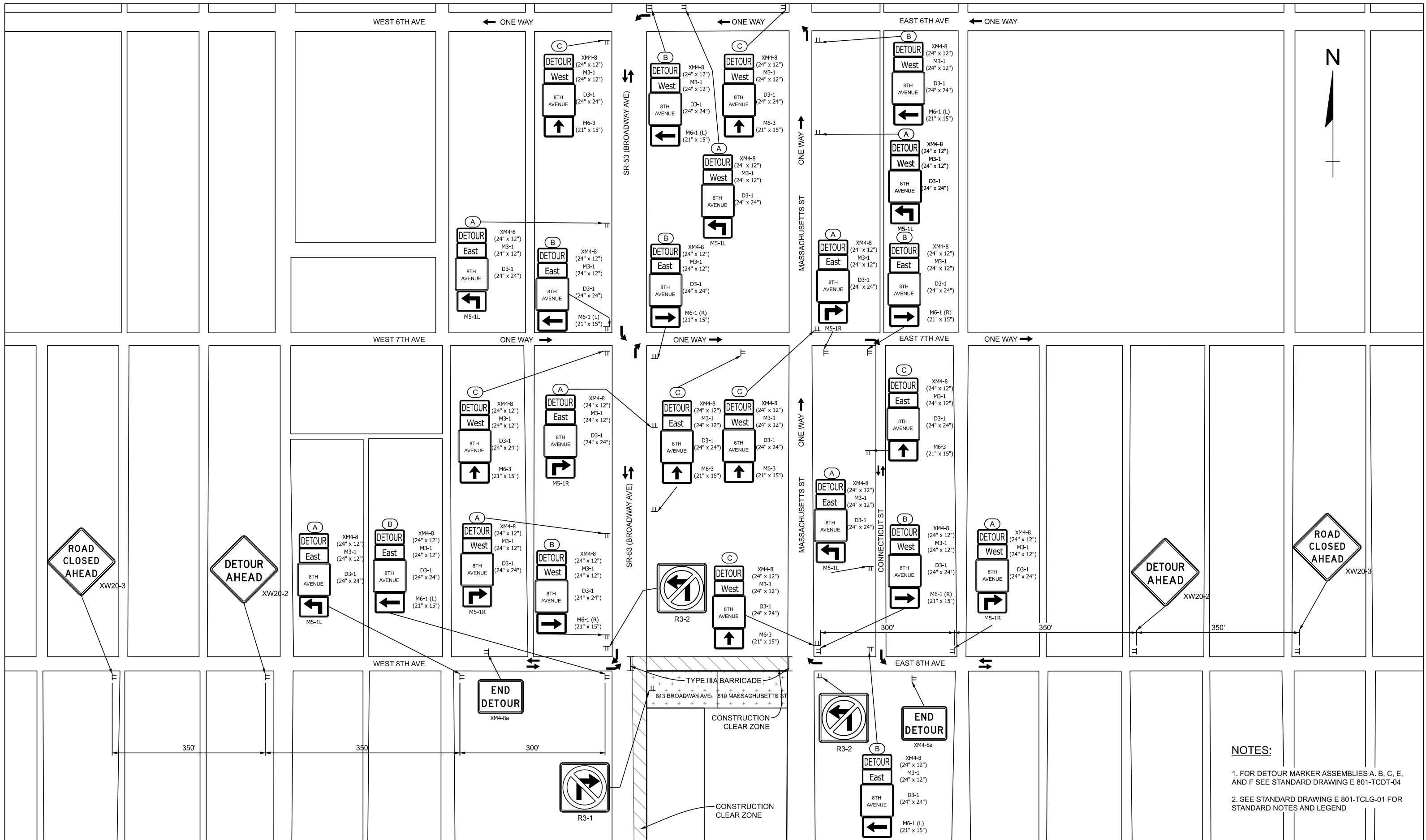
INFRASTRUCTURE ENGINEERING OF MICHIGAN, LLC
3031 W. Grand Blvd | Suite 530 | Detroit, MI 48202
P 313.243.8800 | F 313.243.9000 | www.infrastructure-eng.com

RECOMMENDED FOR APPROVAL	DESIGN ENGINEER	DATE
DESIGNED: MA	4/28/25	DRAWN:
CHECKED:	CHECKED:	

NORTHWEST INDIANA REGIONAL DEVELOPMENT AUTHORITY

MOT 810 MASSACHUSETTS ST / 813 BROADWAY AVE, PEDESTRIAN STAGING SHEET PHASE 1 GARY BLIGHT ELIMINATION PROGRAM

HORIZONTAL SCALE	N/A	BRIDGE FILE	N/A
VERTICAL SCALE	N/A	DESIGNATION	N/A
SURVEY BOOK	TBD	SHEETS	8 of 11
CONTRACT	N/A	PROJECT	GARY INDIANA MOT ROUTES



LEGEND

	Temporary Pavement Marking, Removable, 6 IN., Dotted, (White)		Type III Barricade
	Temporary Pavement Marking, Removable, 6 IN. (Yellow)		Construction Clear Zone
	MOT Barrels with 50' spacing		Temporary Concrete Jersey Barrier
	Traffic Flow Arrow		Building Demolition

INFRASTRUCTURE ENGINEERING OF MICHIGAN, LLC
 3031 W. Grand Blvd | Suite 530 | Detroit, MI 48202
 P 313.243.8800 | F 313.243.9300 | www.infrastructure-eng.com

RECOMMENDED FOR APPROVAL	DESIGN ENGINEER	DATE
DESIGNED: AA	4/28/25	DRAWN:
CHECKED:	CHECKED:	

NORTHWEST INDIANA REGIONAL DEVELOPMENT AUTHORITY
MOT 810 MASSACHUSETTS ST / 813 BROADWAY AVE EB & WB 8TH AVENUE CLOSURE DETOUR PHASE 1
GARY BLIGHT ELIMINATION PROGRAM

HORIZONTAL SCALE	BRIDGE FILE
N/A	N/A
VERTICAL SCALE	DESIGNATION
N/A	N/A
SURVEY BOOK	SHEETS
TBD	9 of 11
CONTRACT	PROJECT
N/A	GARY INDIANA MOT ROUTES

NOTES:

- FOR DETOUR MARKER ASSEMBLIES A, B, C, E, AND F SEE STANDARD DRAWING E 801-TCDT-04
- SEE STANDARD DRAWING E 801-TCLG-01 FOR STANDARD NOTES AND LEGEND



- NOTES:**
- FOR DETOUR MARKER ASSEMBLIES A, B, C, E, AND F SEE STANDARD DRAWING E 801-TCDD-04
 - SEE STANDARD DRAWING E 801-TCLG-01 FOR STANDARD NOTES AND LEGEND

LEGEND

(34) Temporary Pavement Marking, Removable, 6 IN. (White)	(36) Temporary Pavement Marking, Removable, 6 IN., Dotted, (White)	Construction Clear Zone	Type III Barricade
(35) Temporary Pavement Marking, Removable, 6 IN. (Yellow)	MOT Barrels with 50' spacing	Temporary Concrete Jersey Barrier	Building Demolition
	Traffic Flow Arrow		

INFRASTRUCTURE ENGINEERING | OF MICHIGAN, LLC
 3031 W. Grand Blvd | Suite 530 | Detroit, MI 48202
 P 313.243.8800 | F 313.243.9100 | www.infrastructure-eng.com

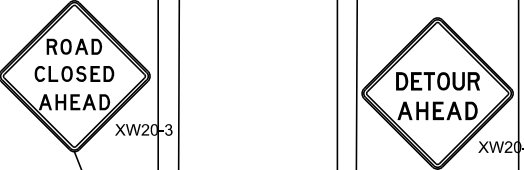
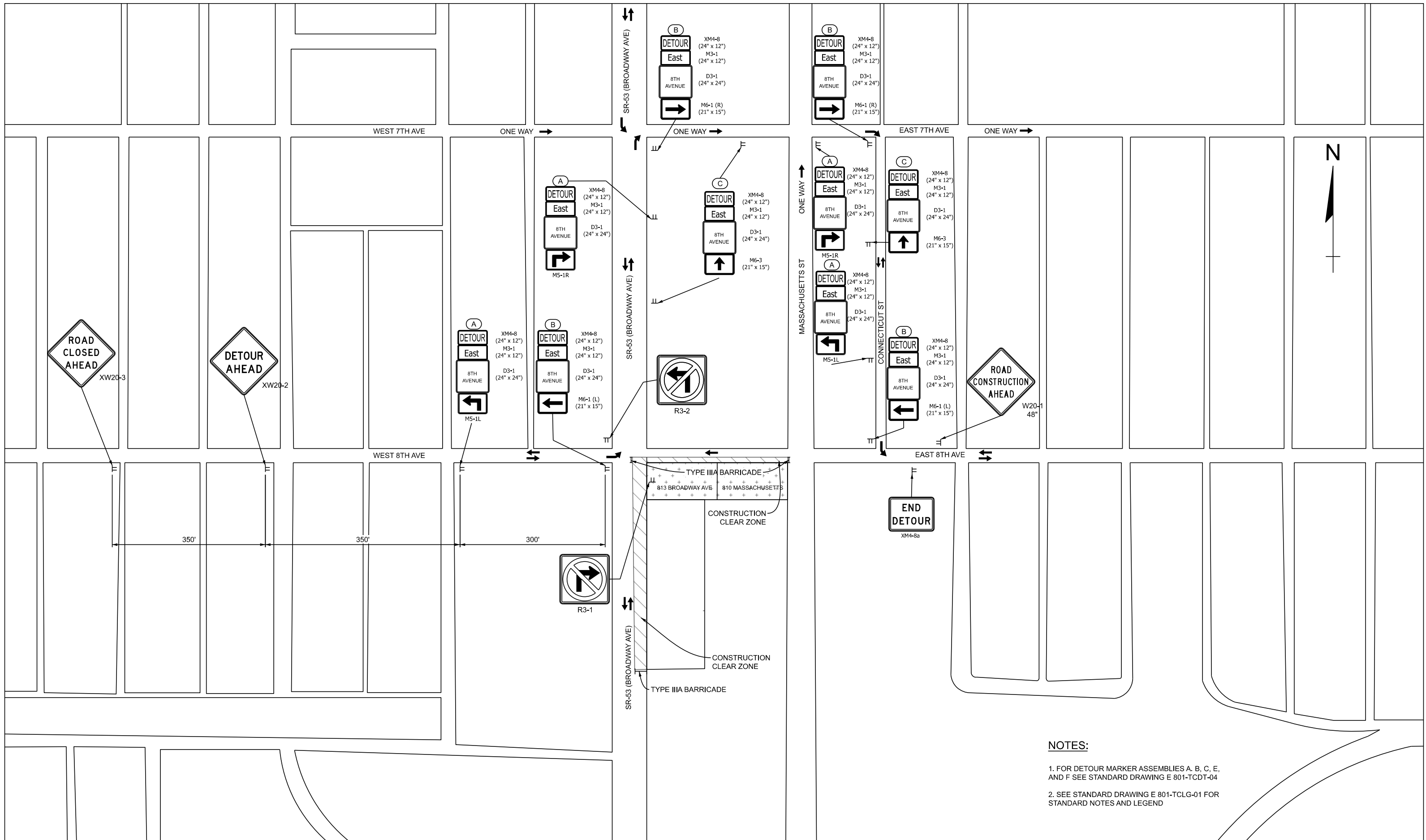
RECOMMENDED FOR APPROVAL	DESIGN ENGINEER	DATE
DESIGNED: AA	4/28/25	DRAWN:
CHECKED:	CHECKED:	

NORTHWEST INDIANA REGIONAL DEVELOPMENT AUTHORITY

MOT 810 MASSACHUSETTS ST / 813 BROADWAY AVE NB BROADWAY CLOSURE DETOUR PHASE 1 & 2

GARY BLIGHT ELIMINATION PROGRAM

HORIZONTAL SCALE	BRIDGE FILE
N/A	N/A
VERTICAL SCALE	DESIGNATION
N/A	N/A
SURVEY BOOK	SHEETS
TBD	10 of 11
CONTRACT	PROJECT
N/A	GARY INDIANA MOT ROUTES



NOTES:

- FOR DETOUR MARKER ASSEMBLIES A, B, C, E, AND F SEE STANDARD DRAWING E 801-TCDT-04
- SEE STANDARD DRAWING E 801-TCLG-01 FOR STANDARD NOTES AND LEGEND

LEGEND	
	34 Temporary Pavement Marking, Removable, 6 IN. (White)
	35 Temporary Pavement Marking, Removable, 6 IN. (Yellow)
	36 Temporary Pavement Marking, Removable, 6 IN., Dotted, (White)
	Construction Clear Zone
	MOT Barrels with 50' spacing
	Traffic Flow Arrow
	Type III Barricade
	Temporary Concrete Jersey Barrier
	Building Demolition

INFRASTRUCTURE ENGINEERING OF MICHIGAN, LLC
3031 W. Grand Blvd | Suite 530 | Detroit, MI 48202
P 313.243.8800 | F 313.243.9100 | www.infrastructure-eng.com

RECOMMENDED FOR APPROVAL _____ DESIGN ENGINEER _____ DATE _____

DESIGNED: AA 4/28/25 DRAWN: _____

CHECKED: _____ CHECKED: _____

NORTHWEST INDIANA REGIONAL DEVELOPMENT AUTHORITY

**MOT 810 MASSACHUSETTS ST / 813 BROADWAY AVE
EB 8TH AVENUE CLOSURE DETOUR PHASE 2
GARY BLIGHT ELIMINATION PROGRAM**

HORIZONTAL SCALE	N/A	BRIDGE FILE	N/A
VERTICAL SCALE	N/A	DESIGNATION	N/A
SURVEY BOOK	TBD	SHEETS	11 of 11
CONTRACT	N/A	PROJECT	GARY INDIANA MOT ROUTES

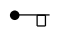


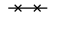
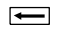



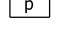
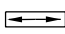
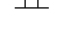


GENERAL NOTES:

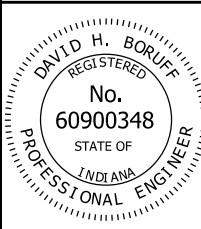
1. Distances shown are typical except minimum distances may be varied based on field conditions.
2. The spacing of channelizing devices shall be 100 ft where the posted speed limit is 50 m.p.h. or greater.
3. The spacing of channelizing devices shall be 50 ft where the posted speed limit is less than or equal to 45 m.p.h.
4. The spacing of channelizing devices on tapers shall be numerically equal in feet to the posted speed limit in m.p.h.
5. The flashing arrow sign shall not be placed on a sidewalk. The flashing arrow sign shall be placed at a distance of L/3 from the beginning of the taper, where L is the merge taper, see Standard Drawing E 801-TCDV-03.
6. For temporary lane closures during daylight hours, cones or tubular markers may be used in lieu of drums.
7. Temporary pavement markings shall not be required for temporary daylight lane closures.
8. Temporary highway illumination, when specified, shall be as detailed on the plans.

9. Once the crossovers have been removed, this line shall be restriped yellow if the pavement is to be used for one-way traffic.
10. For Temporary Crossover Type B, this line shall be removed when the traffic pattern is switched.
11. The advisory speed plate will not be required when the existing posted speed limit is less than 55 mph.
12. Spacing of channelizing devices at this location shall be 20 ft.
13. The "Two-Way Traffic" (XW6-3B) and "Do Not Pass" (R4-1-B) signs shall alternate every 2640 ft throughout the two-lane two-way operation.
14. For a bridge contract, this distance may be adjusted by the Engineer as required. However, it shall be as close to the minimum as possible.
15. Once the crossovers have been removed, this line shall be restriped broken white, if the pavement is to be used for one-way traffic.

SURFACE AREA OF ONE TYPE A TEMPORARY CROSSOVER, SYS	
MEDIAN WIDTH, ft	TYPE A
60	1208
50	1041
40	880
36	814
30	713
26	648

LEGEND

- | | |
|--|---|
|  Flagger |  Temporary Pavement Marking |
|  Work area |  Removal of pavement markings and prismatic reflectors |
|  Flashing arrow sign |  Typical Sign Standard (Road Closure Sign Assembly) |
|  Channelizing device |  Type III-A or Type III-B Barricades as required |
|  Police car (optional) |  Double Headed Flashing Arrow Sign |
|  Construction sign and supports |  Direction of Traffic |
| W = Width of offset |  Low intensity construction warning light, Type A |

INDIANA DEPARTMENT OF TRANSPORTATION	
TRAFFIC CONTROL LEGEND AND GENERAL NOTES	
SEPTEMBER 2016	
STANDARD DRAWING NO.	E 801-TCLG-01
	<i>/s/ David H. Boruff</i> 03/02/16 DESIGN STANDARDS ENGINEER DATE
	<i>/s/ Mark A. Miller</i> 03/02/16 CHIEF ENGINEER DATE

INDEX

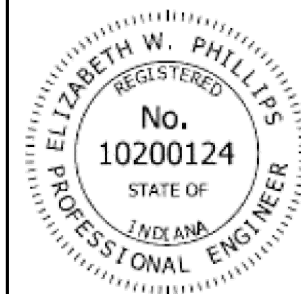
SHEET NO.	SUBJECT
1	Temporary Concrete Barrier Index Sheet
2	Temporary Concrete Barrier Dimensions and Flare Rates
3	Temporary Concrete Barrier Details
4	Temporary Concrete Barrier Double Taper End Section
5	Anchored Temporary Concrete Barrier, Drop-In Anchor
6	Anchored Temporary Concrete Barrier, Ferrule Loop Insert

INDIANA DEPARTMENT OF TRANSPORTATION

TEMPORARY CONCRETE BARRIER
INDEX SHEET

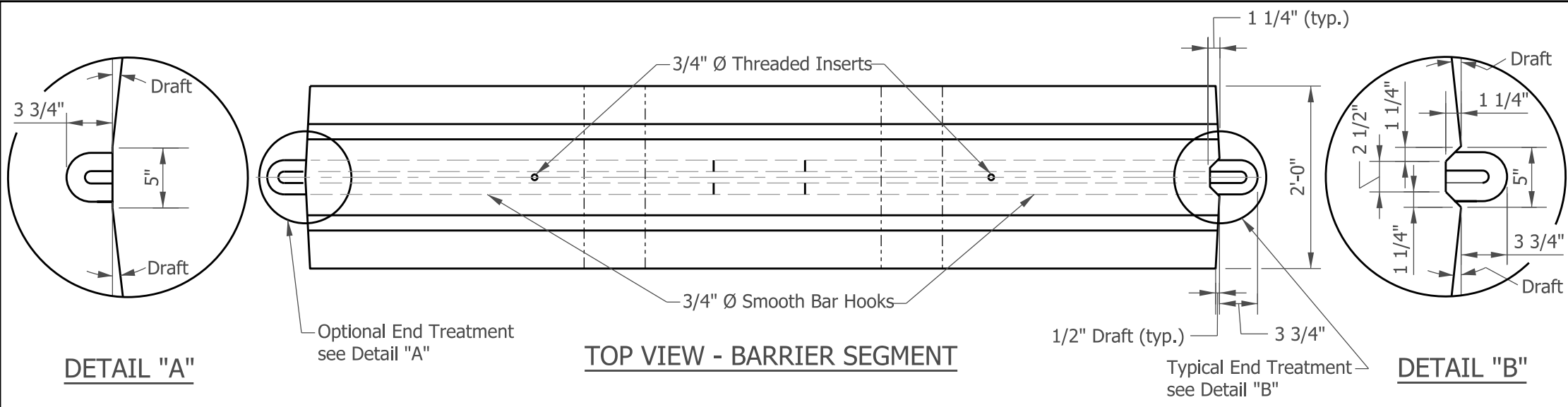
SEPTEMBER 2019

STANDARD DRAWING NO. E 801-TCCB-01



Elizabeth W. Phillips 5/2/2019
DESIGN STANDARDS ENGINEER DATE

[Signature] 6/5/2019
CHIEF ENGINEER DATE



NOTES:

1. For freeways and interstates, the maximum barrier flare rate and construction clear zone distance shall be based on 70 mph for the first run of barrier within the construction zone. For subsequent barrier placement, the barrier flare rates and construction clear zone distance shall be based on 70 mph unless otherwise shown on the plans.
2. The barrier taper flare rate and construction clear zone distance are shown in Table No. 1. Construction clear zone distance is measured from the through travel lane. The barrier taper flare rate shall be as shown or flatter.
3. The dimensions of the lifting slots are subject to adjustment as necessary to accommodate handling equipment.
4. For additional connection details see Standard Drawing E 801-TCCB-03.

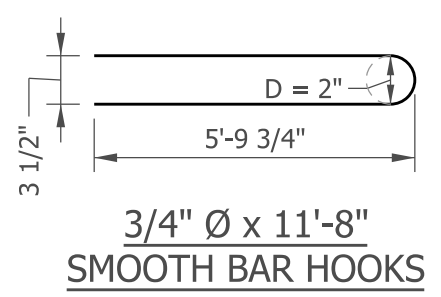
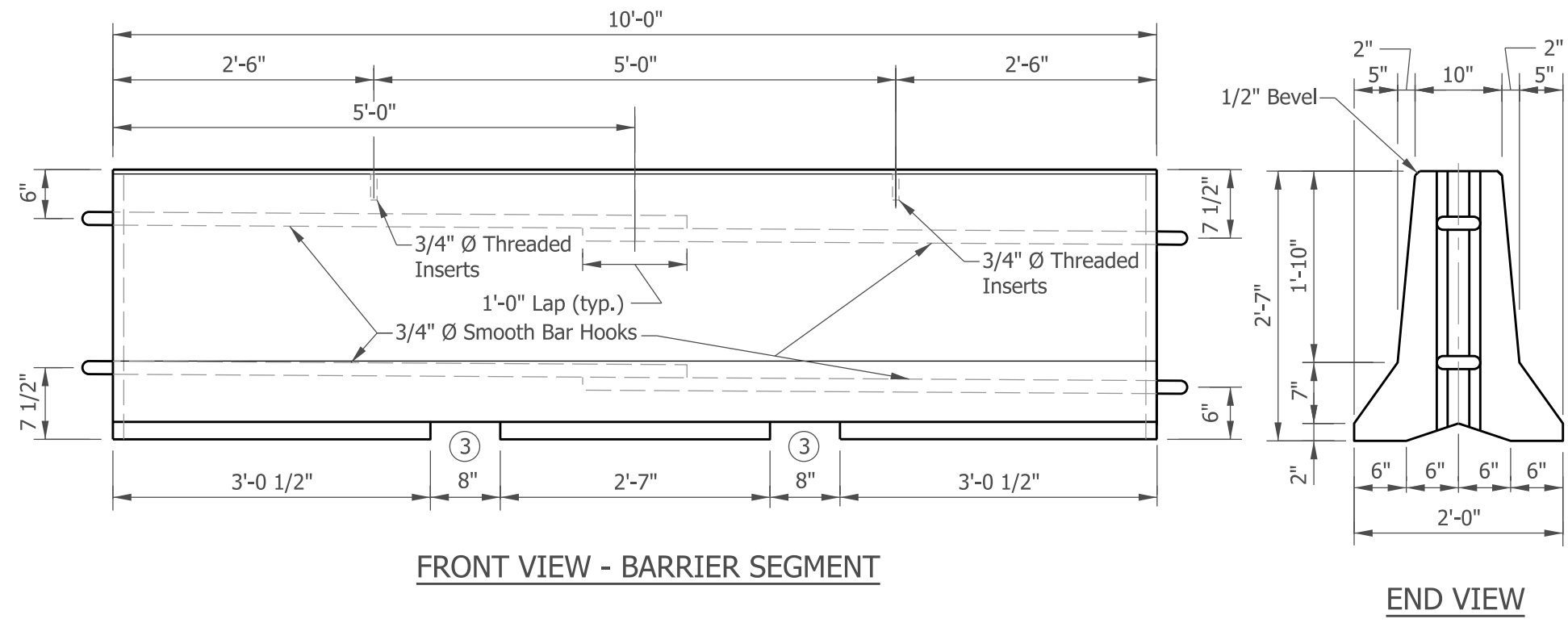


TABLE NO. 1

Construction Zone Design Speed	Barrier Taper Flare Rate	Construction Clear Zone Distance
70 mph	20:1	30
60 mph	18:1	30
55 mph	16:1	23
50 mph	14:1	16
45 mph	12:1	16
40 mph	10:1	13
≤ 35 mph	10:1	13

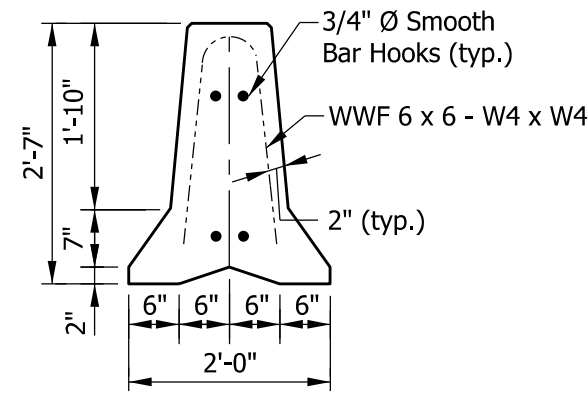
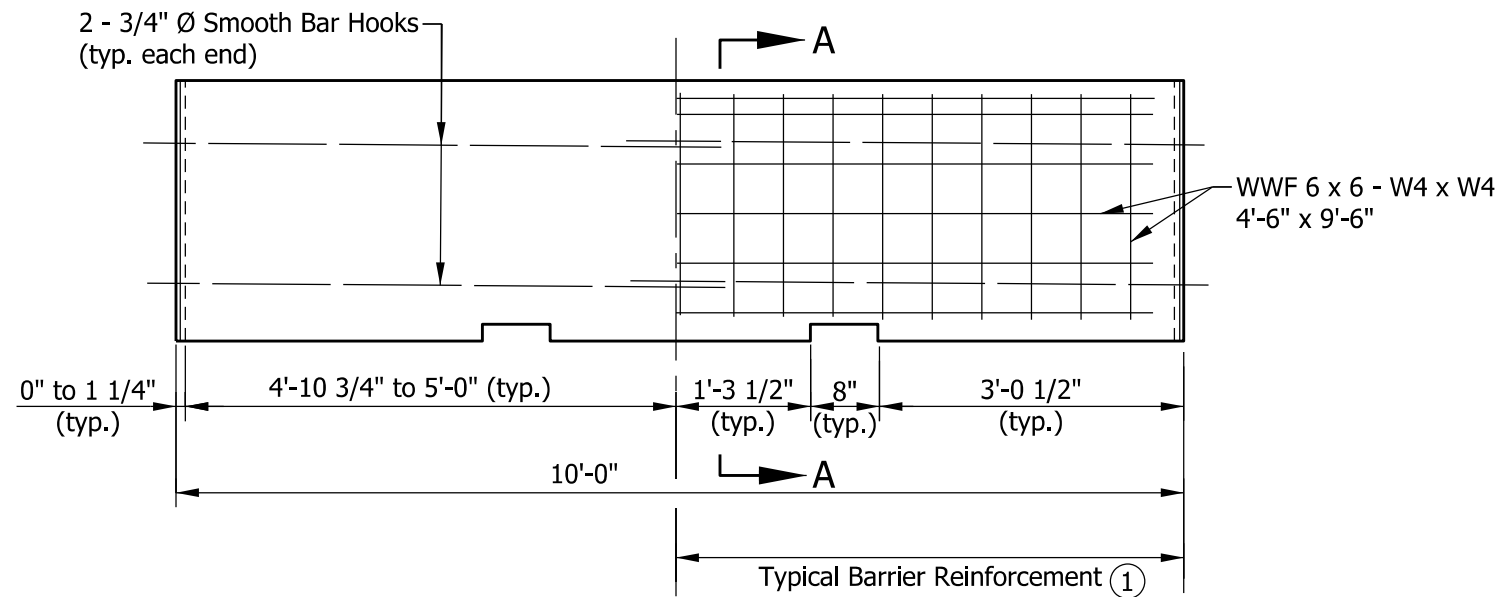
INDIANA DEPARTMENT OF TRANSPORTATION

TEMPORARY CONCRETE BARRIER DIMENSIONS AND FLARE RATES

SEPTEMBER 2024

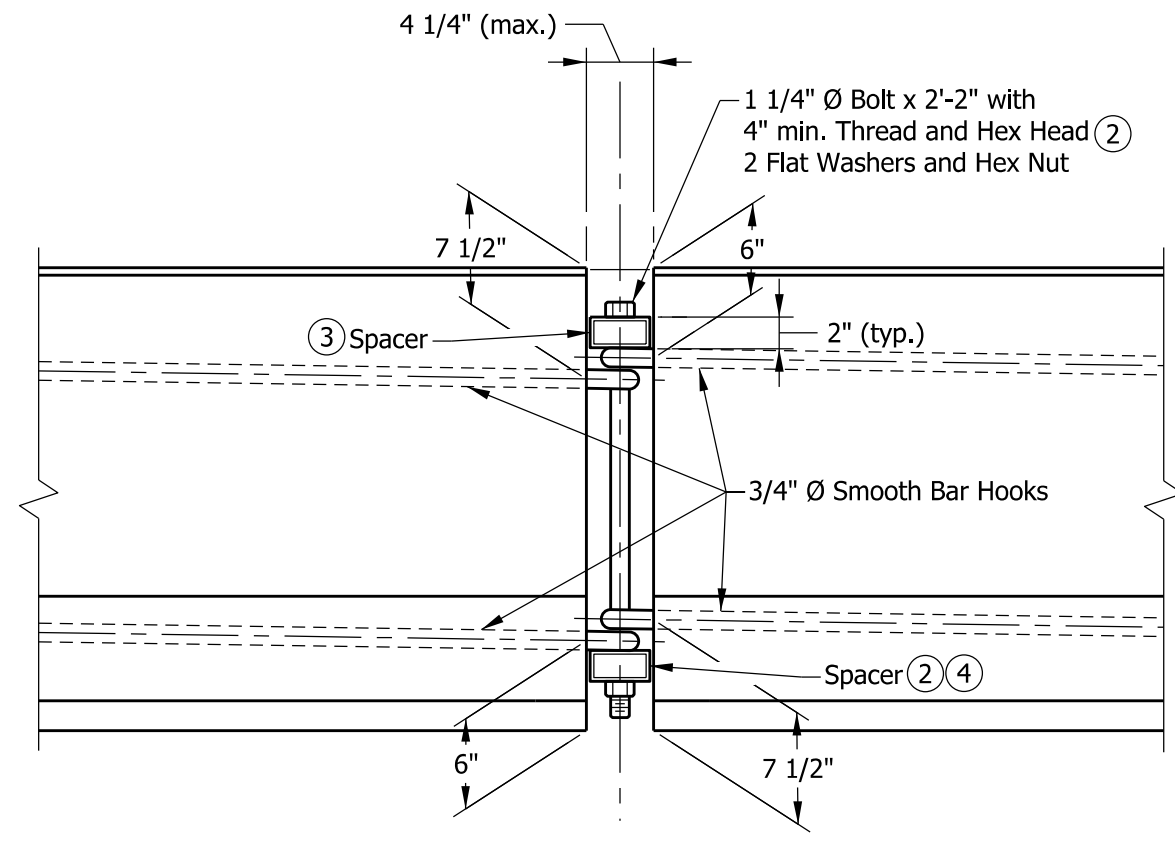
STANDARD DRAWING NO. E 801-TCCB-02

<p>ELIZABETH P. MOUSER REGISTERED No. 10200124 STATE OF INDIANA PROFESSIONAL ENGINEER</p>	<p style="text-align: right;"><i>Elizabeth P. Mouser</i> DESIGN STANDARDS ENGINEER 04/09/2024 DATE</p> <p style="text-align: right;"><i>[Signature]</i> CHIEF ENGINEER 04/17/2024 DATE</p>
---	--

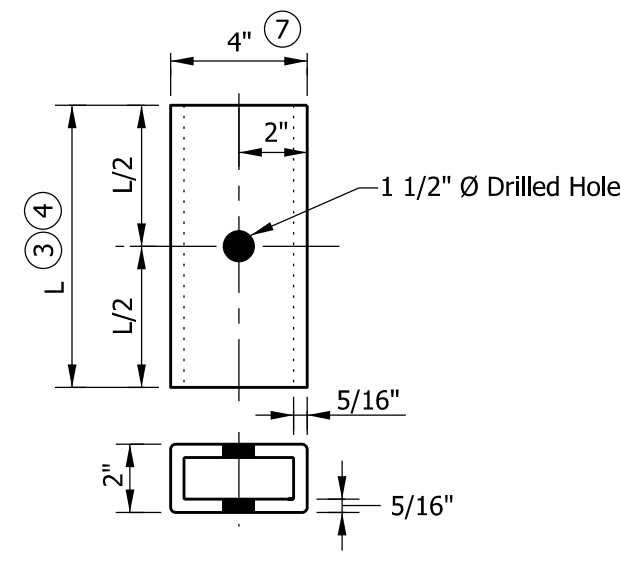


SECTION A-A ①

REINFORCEMENT DETAILS






**FRONT VIEW
CONNECTION DETAIL**

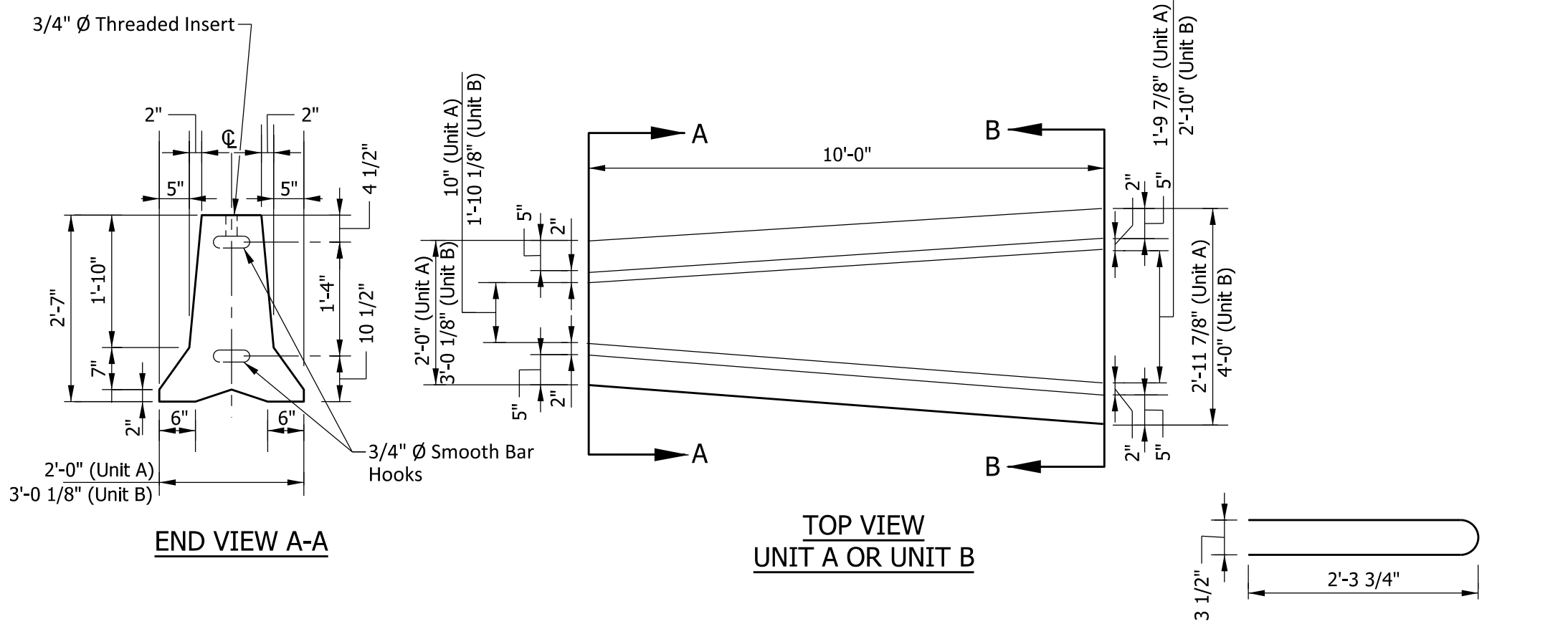


SPACER DETAIL

NOTES:

- ① Section A-A shows reinforcement with welded wire fabric. The WWF may be bent to the shape of the wall.
- ② Hex nut may be tack welded to bottom spacer to facilitate installation and removal. Bolts shall be torqued only to tight condition. Clearance between the spacer and the ends of the barrier shall allow angular deflection at the joints to allow flare rate 11:1 or flatter.
- ③ Top spacer TS 4" x 2" x 5/16" x 10" long.
- ④ Bottom spacer TS 4" x 2" x 5/16" x 1'-4" long.
5. Where necessary to meet short radius curving alignment, the shorter top spacer (10") may be substituted for the standard bottom spacer (16").
6. For additional connection details see Standard Drawing E 801-TCCB-02.
- ⑦ Where very short radius curving alignment is encountered, spacers may be TS 3" x 2" x 1/4" x the appropriate length as shown above.
8. In lieu of the connection detail shown, the J-J Hook temporary barrier connection of Easi-Set Industries as described in FHWA eligibility letter B-52 of March 26, 1999 may be used.

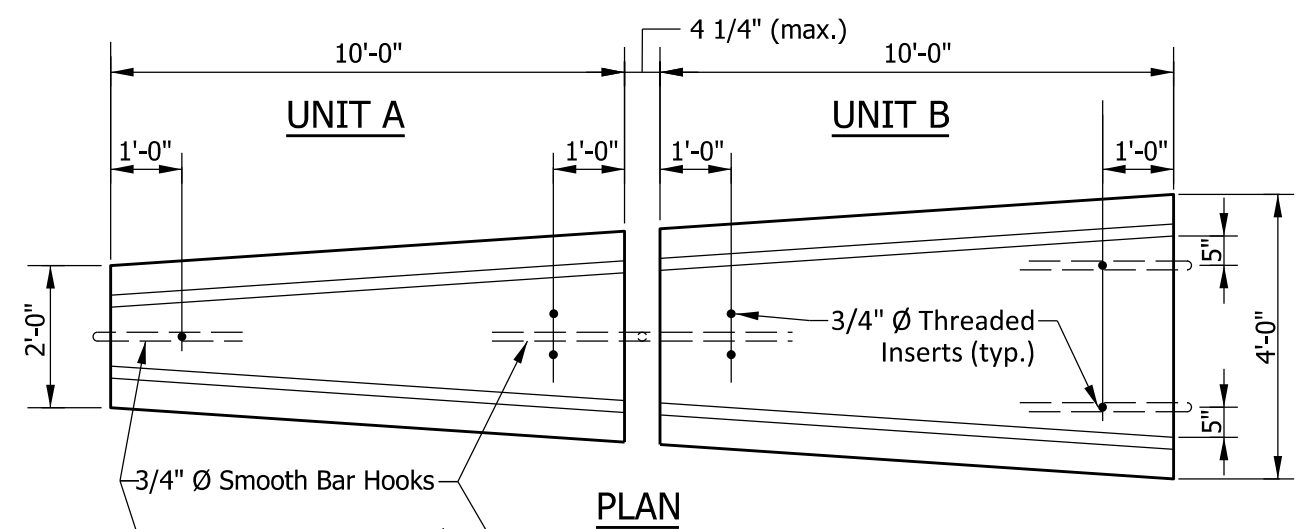
INDIANA DEPARTMENT OF TRANSPORTATION	
TEMPORARY CONCRETE BARRIER DETAILS	
SEPTEMBER 2019	
STANDARD DRAWING NO.	E 801-TCCB-03
	 DESIGN STANDARDS ENGINEER 5/2/2019 DATE
	 CHIEF ENGINEER 6/5/2019 DATE



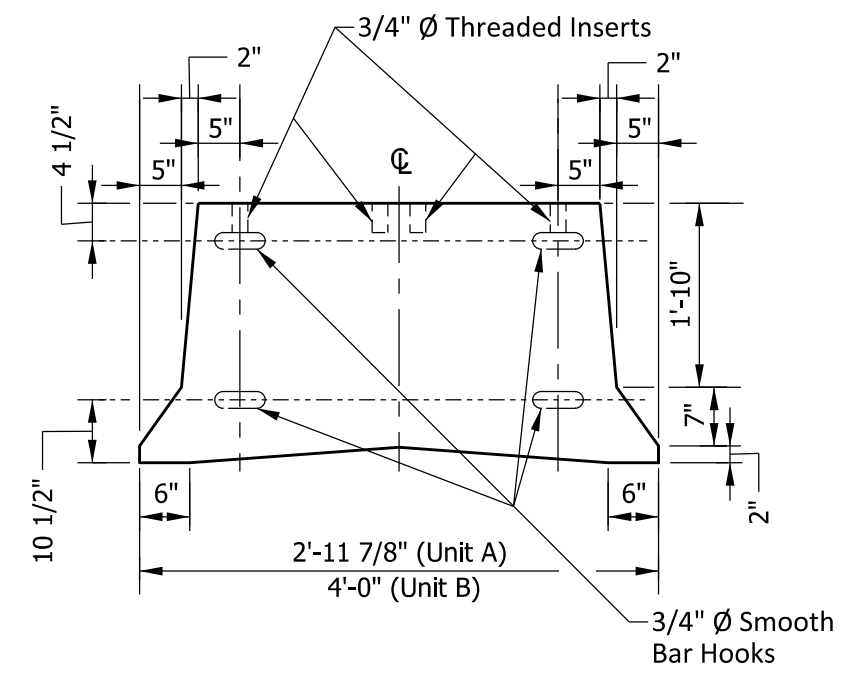
END VIEW A-A

**TOP VIEW
UNIT A OR UNIT B**

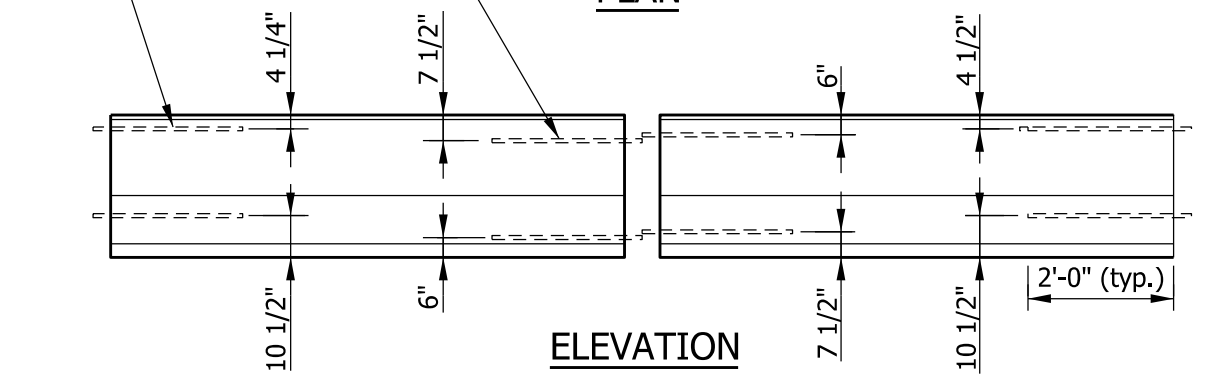
**3/4" Ø x 4'-5 1/2"
SMOOTH BAR HOOKS**



PLAN



END VIEW B-B



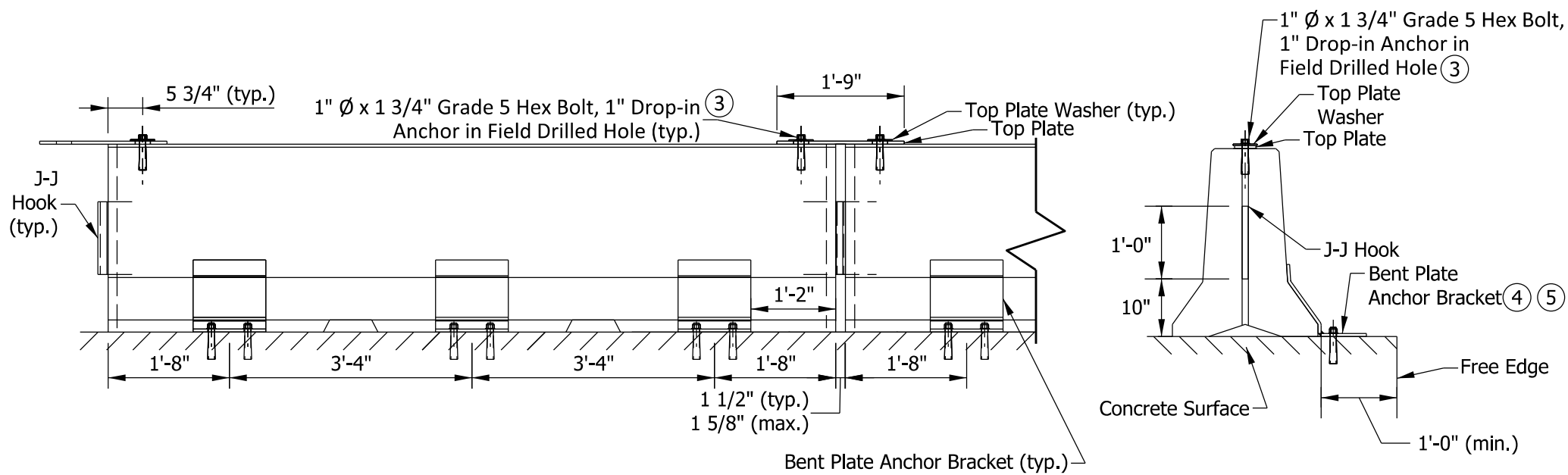
ELEVATION

**DOUBLE TAPER END SECTION ASSEMBLY
(Showing location of inserts and bar hooks)**

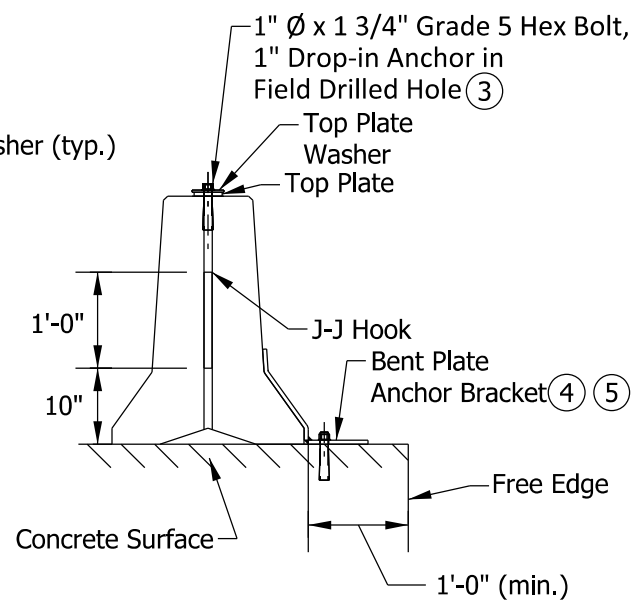
NOTES:

1. For connection details between Units A and B, see Standard Drawing E 801-TCCB-03.
2. Extreme ends of the double taper end section assembly require a 1 1/4" Ø bolt x 2'-3 1/2" (4" min. thread, hex head and hex nut) for connecting to adjacent temporary concrete barriers.

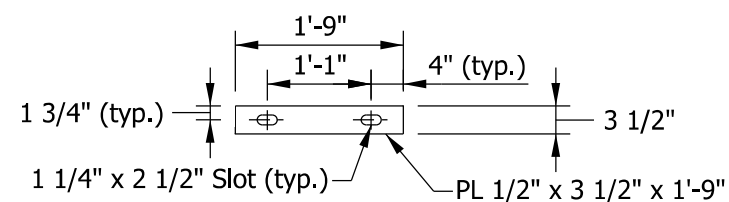
INDIANA DEPARTMENT OF TRANSPORTATION	
TEMPORARY CONCRETE BARRIER DOUBLE TAPER END SECTION	
SEPTEMBER 2019	
STANDARD DRAWING NO.	E 801-TCCB-04
	 DESIGN STANDARDS ENGINEER 5/2/2019 DATE
	 CHIEF ENGINEER 6/5/2019 DATE



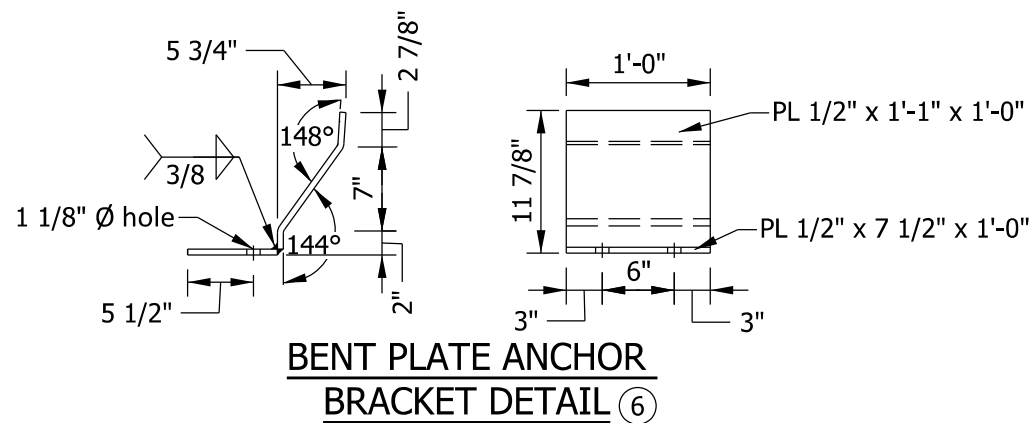
BARRIER FRONT VIEW



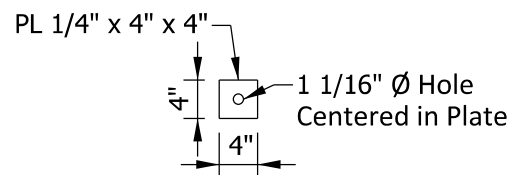
END VIEW



TOP PLATE DETAIL




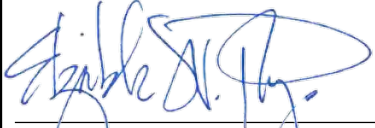

BENT PLATE ANCHOR BRACKET DETAIL (6)

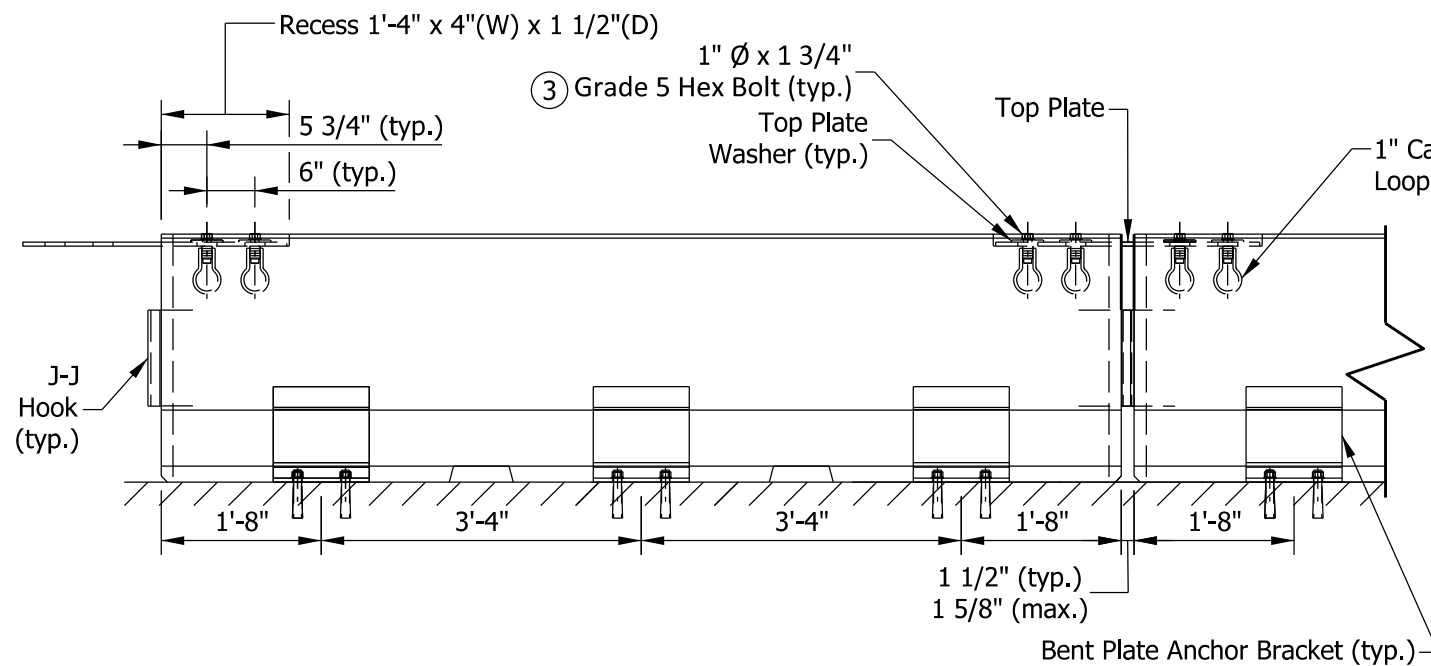


TOP PLATE WASHER DETAIL

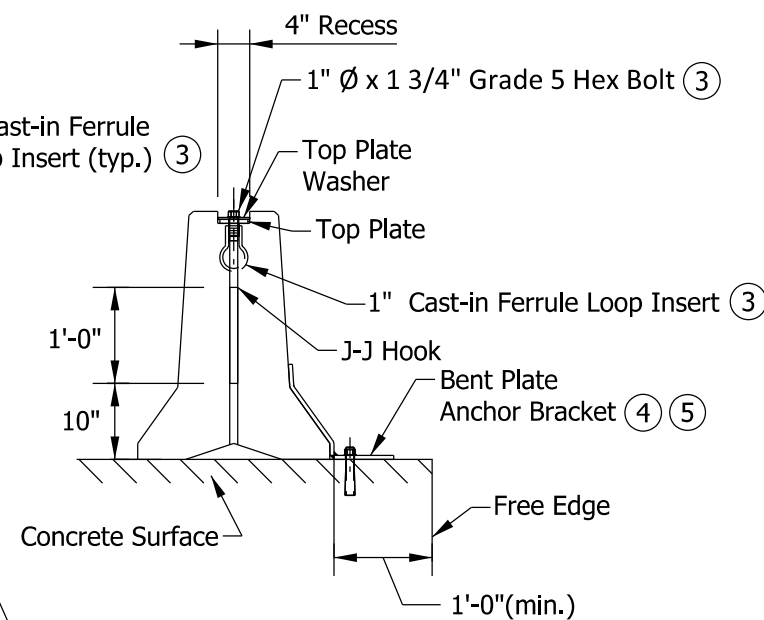
NOTES:

1. All steel shall be ASTM A-36 hot rolled unless otherwise noted.
2. J-J Hooks are a product of Easi-Set Worldwide. Hooks shall be cast into the barrier in accordance with the manufacturer's recommendations.
- ③ The drop-in anchor and bolt shall be tightened to the anchor manufacturer's specifications. The anchor shall have a minimum ultimate shear capacity of 26.4 kips.
- ④ Bent plate anchor bracket shall be attached to a concrete surface using one of the following anchor systems. Minimum embedment shall be in accordance with the manufacturer's recommendations, but not less than 4 1/2 in.
 - 1-in. threaded rod, grade 55 minimum, with washer and nut. Rod shall be installed using an approved epoxy chemical anchor system with a minimum ultimate shear capacity of 21.2 kips; or
 - 1-in. diameter wedge anchor; or
 - 1-in. nominal diameter drop-in anchor with 1-in. diameter, grade 5 hex bolt.
- ⑤ When concrete will remain in place after anchoring is removed, the threaded rod anchoring system shall be used. The rod shall be completely removed, the hole shall be blown out to remove any moisture or debris, and the hole completely filled using the same epoxy that was used for anchoring the rod.
- ⑥ A single bent plate anchor bracket may be used instead of the two-plate detail as shown.

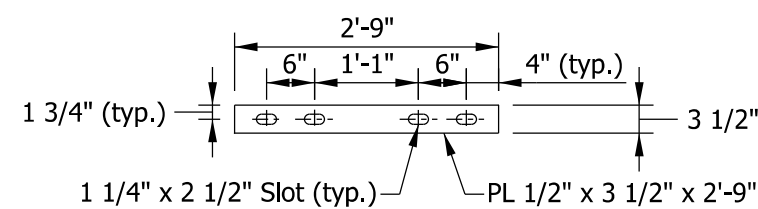
INDIANA DEPARTMENT OF TRANSPORTATION	
ANCHORED TEMPORARY CONCRETE BARRIER, DROP-IN ANCHOR SEPTEMBER 2019	
STANDARD DRAWING NO.	E 801-TCCB-05
	 DESIGN STANDARDS ENGINEER 5/29/2019 DATE
	 CHIEF ENGINEER 6/5/2019 DATE



BARRIER FRONT VIEW



END VIEW



TOP PLATE DETAIL

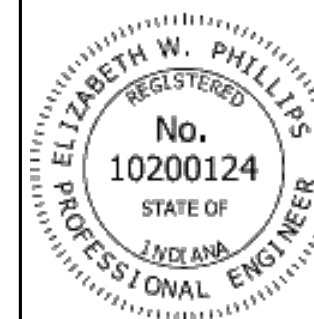
NOTES:



1. All steel shall be ASTM A-36 hot rolled unless otherwise noted.
2. J-J Hooks are a product of Easi-Set Worldwide. Hooks shall be cast into the barrier in accordance with the manufacturer's recommendations.
- ③ The bolt shall be installed snug tight in the cast-in ferrule loop insert. The insert shall have a minimum ultimate shear capacity of 12.1 kips.
- ④ Bent plate anchor bracket shall be attached to a concrete surface using one of the following anchor systems. Minimum embedment shall be in accordance with the manufacturer's recommendations, but not less than 4 1/2 in.
 - 1-in. threaded rod, grade 55 minimum, with washer and nut. Rod shall be installed using an approved epoxy chemical anchor system with a minimum ultimate shear capacity of 21.2 kips; or
 - 1-in. diameter wedge anchor; or
 - 1-in. nominal diameter drop-in anchor with 1-in. diameter, grade 5 hex bolt.
- ⑤ When concrete will remain in place after anchoring is removed, the threaded rod anchoring system shall be used. The rod shall be completely removed, the hole shall be blown out to remove any moisture or debris, and the hole completely filled using the same epoxy that was used for anchoring the rod.
6. See E 801-TCCB-05 for bent plate anchor details, top plate washer details, and additional notes.

INDIANA DEPARTMENT OF TRANSPORTATION

ANCHORED TEMPORARY
CONCRETE BARRIER,
FERRULE LOOP INSERT
SEPTEMBER 2019

STANDARD DRAWING NO. E 801-TCCB-06



	5/29/2019
DESIGN STANDARDS ENGINEER	DATE
	6/5/2019
CHIEF ENGINEER	DATE

INDEX

SHEET NO.	SUBJECT
1	Traffic Control Devices Index and General Notes
2	Channelizing Devices
3	Merge or Shift Taper
4	Channelizing Devices Usage
5	Type III Barricade
6	Typical Construction Sign Mounting
7	Type III Barricade Application for Road Closure for Thru Traffic
8	Type III Barricade Application for Road Closure to All Traffic

GENERAL NOTES:

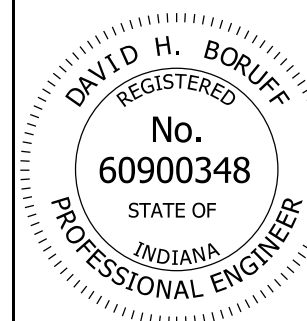
1. Unless otherwise noted, channelizing devices in tangent sections shall be 100 ft where the permanent posted speed limit is 50 m.p.h. or greater, and the spacing shall be 50 ft where the permanent posted speed limit is less than or equal to 45 m.p.h.
2. Unless otherwise noted, the spacing of channelizing devices in tapers shall be equal in feet to the permanent posted speed limit in m.p.h.
3. All channelizing devices shall satisfy NCHRP 350 or MASH crash evaluation criteria.
4. It is not necessary to delineate a drop-off of 3 in. or less adjacent to active travel lanes. Where channelizing devices are used to delineate drop-offs of 3 in. or less adjacent to active travel lanes, at least 33 in. of the device shall be above the adjoining pavement surface. Where channelizing devices are used to delineate a drop-off greater than 3 in. adjacent to active travel lanes, at least 27 in. of the device shall be above the adjoining pavement surface and a Type C warning light shall be attached to the top of the device (on the pavement side). In no case shall more than 9 in. of the device be below the adjoining pavement surface.
5. The proper orientation in respect to approaching vehicular traffic shall be maintained on channelizing devices. Drums are the preferred channelizing device in a tight radius curve and at intersections.
6. **Short-term stationary**, work that occupies a location for more than one hour within a single daylight period.
Intermediate-term stationary, work that occupies a location for more than one daylight period up to three days, or nighttime work lasting more than one hour.
Long-term stationary, work that occupies a location for more than three days.

INDIANA DEPARTMENT OF TRANSPORTATION

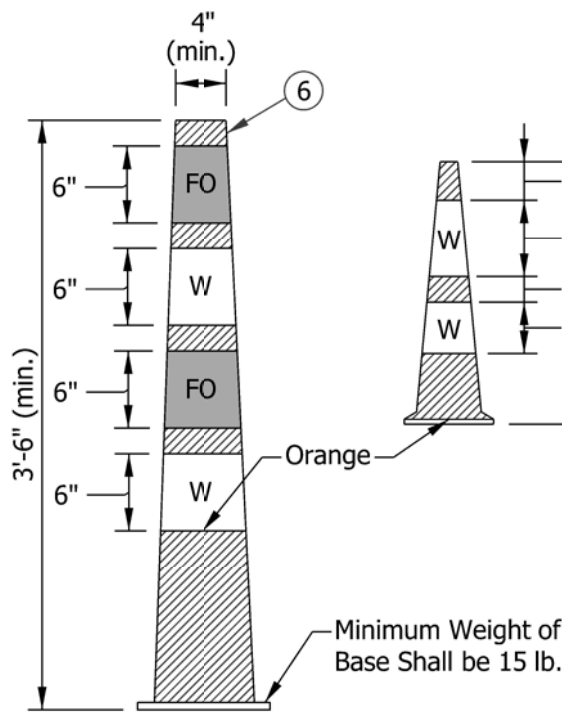
**TRAFFIC CONTROL DEVICES
INDEX AND GENERAL NOTES**

SEPTEMBER 2022

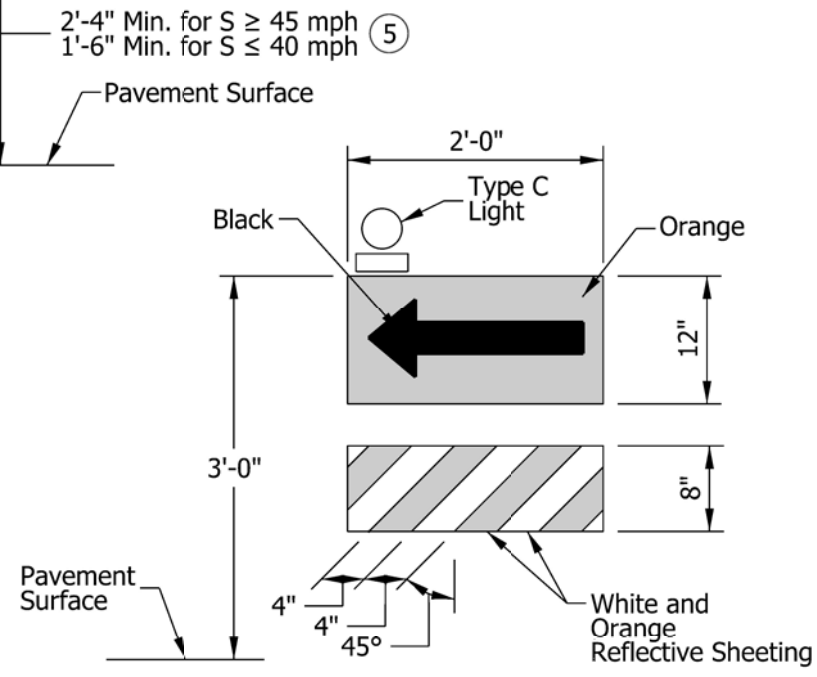
STANDARD DRAWING NO. E 801-TCDV-01



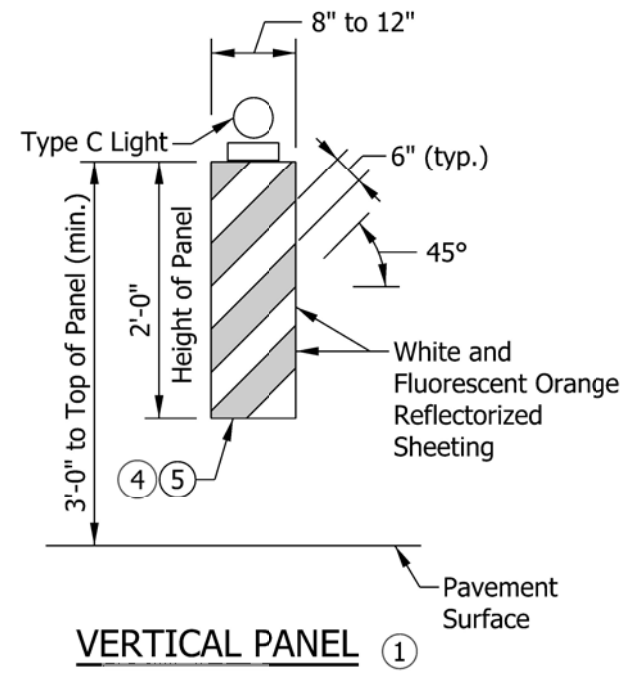
<i>David H. Boruff</i>	06/08/22
DESIGN STANDARDS ENGINEER	DATE
<i>[Signature]</i>	06/27/2022
CHIEF ENGINEER	DATE



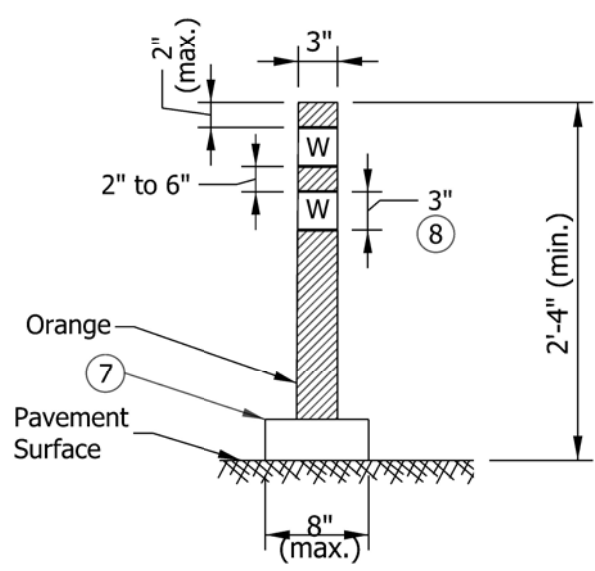
CONE
③



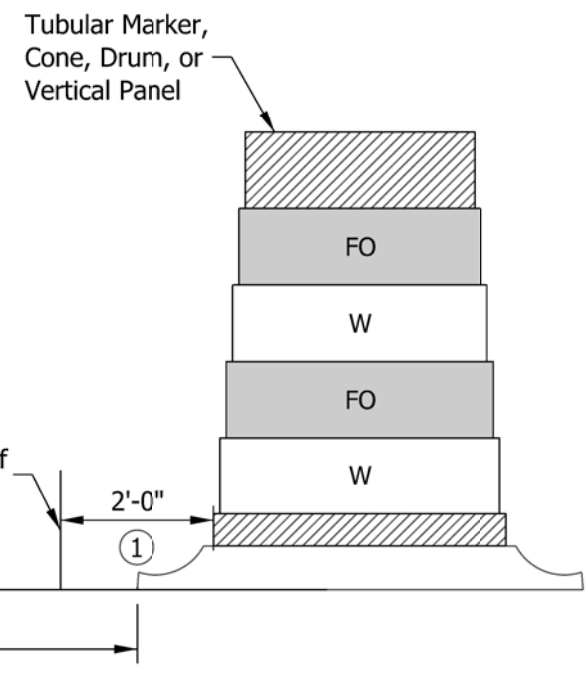
DIRECTION INDICATOR BARRICADE



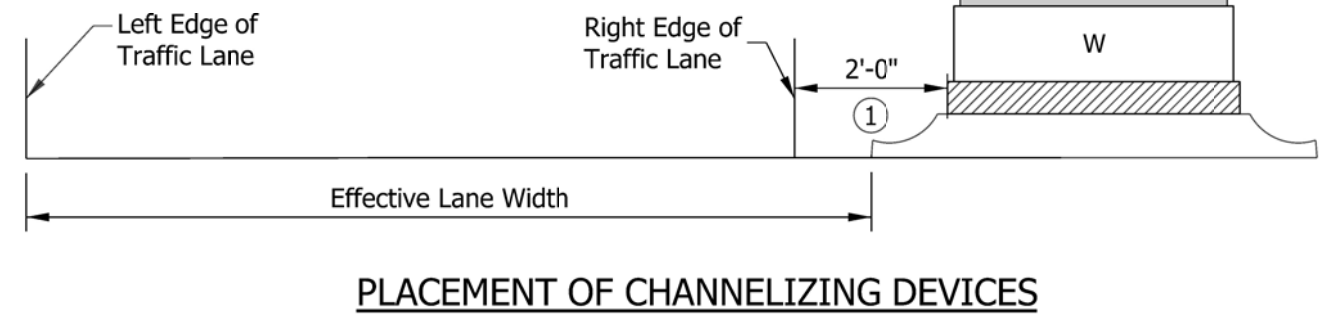
VERTICAL PANEL ①



FLEXIBLE TUBULAR MARKER



DRUM



PLACEMENT OF CHANNELIZING DEVICES

NOTES:

- ① Shy distance for tubular markers and cones may be reduced to 1 ft.
- ② A Type C warning light will be required on tapers where there is a reduction in the number of lanes and a flashing arrow sign is used.
- ③ Reflective sheeting may be omitted from cones for lane closures during daylight hours.
- ④ For vertical panels equal to or greater than 3 ft in height, the width of the stripes shall be 6 in.
- ⑤ Vertical panels used on roadways with a permanent posted speed limit of 50 mph or greater shall have a minimum reflective panel area of 270 sq. in.
- ⑥ The maximum distance between the edges of adjacent reflective sheeting strips shall be 2 in.
- ⑦ Minimum flexible tubular marker base area shall be 0.3 sq ft.
- ⑧ For nighttime work, tubular markers with a height of less than 3.5 ft shall have two 3 in. white bands of reflective sheeting placed a maximum of 2 in. from the top with a maximum of 6 in. between the bands.
- ⑨ See Standard Drawing E 801-TCDV-04 for channelizing device usage and application.

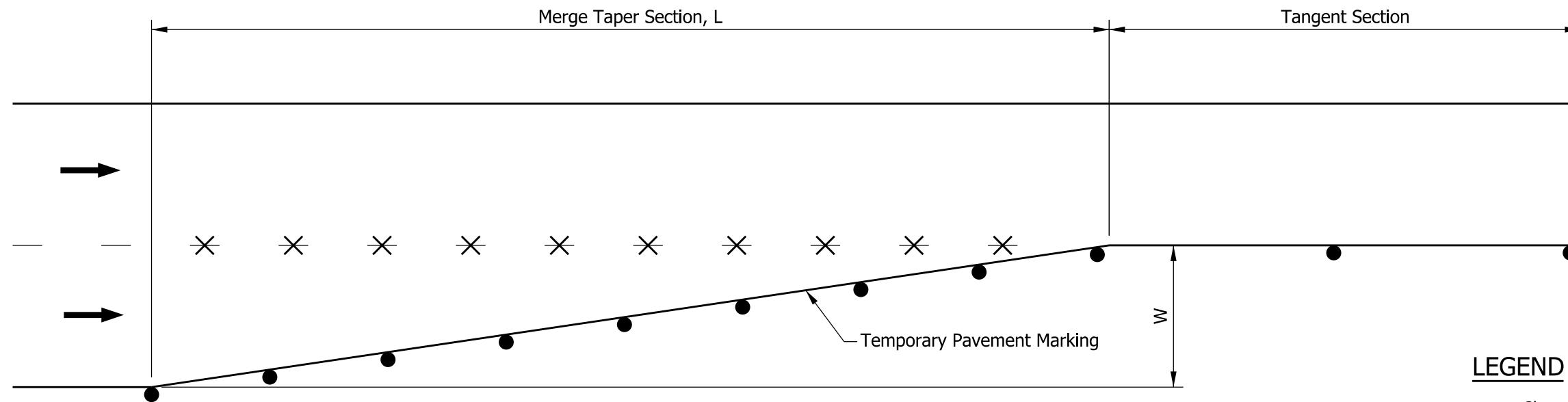
LEGEND

- W = White Reflective Sheeting
- FO = Fluorescent Orange Reflective Sheeting

INDIANA DEPARTMENT OF TRANSPORTATION	
CHANNELIZING DEVICES	
SEPTEMBER 2022	
STANDARD DRAWING NO. E 801-TCDV-02	
REGISTERED No. 60900348 STATE OF INDIANA PROFESSIONAL ENGINEER	06/08/22 DESIGN STANDARDS ENGINEER DATE
	06/27/2022 CHIEF ENGINEER DATE

NOTES:

1. For freeways, a taper length of 840 ft shall be used for the first merge taper. For subsequent merges, a length of 840 ft shall be used unless otherwise shown on the plans.
2. A shift taper preceded by a merge taper shall be separated by a tangent section equal to or greater than the length of the shift taper.



LEGEND

- = Channelizing Device
- * = Removal of pavement markings and prismatic reflectors
- ➔ = Direction of Traffic
- L = Minimum length of taper in ft
- S = Posted speed limit prior to the construction zone in mph
- W = Width of lane or shift in ft

MERGE TAPER				
S	Min. Taper Length L			
MPH	W = 9	W = 10	W = 11	W = 12
25	95	105	115	125
30	135	150	165	180
35	185	205	225	245
40	240	270	295	320
45	405	450	500	540
50	450	500	550	600
55	495	550	605	660
60	540	600	660	720
65	585	650	715	780
70	630	700	770	840
75	675	750	825	900

For W not shown in the table, $L = W \times S$ for a speed of 45 mph or greater.
 $L = W \times S^2/60$ for a speed of 40 mph or lower.

SHIFT TAPER				
S	Min. Taper Length L/2			
MPH	W = 9	W = 10	W = 11	W = 12
25	50	55	60	65
30	70	75	85	90
35	95	105	115	125
40	120	135	150	160
45	205	225	250	270
50	225	250	275	300
55	250	275	305	330
60	270	300	330	360
65	295	325	360	390
70	315	350	385	420
75	340	375	415	450

For W not shown in the table, L is one half that required for a merge taper.

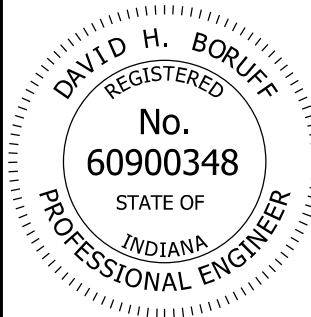
INDIANA DEPARTMENT OF TRANSPORTATION	
MERGE OR SHIFT TAPER	
SEPTEMBER 2022	
STANDARD DRAWING NO.	E 801-TCDV-03
	 DESIGN STANDARDS ENGINEER 06/08/22 DATE
	06/27/2022 CHIEF ENGINEER DATE

NOTES:

Channelizing Device Type	Usage Application									
	To delineate merge tapers on		To delineate tangents where adequate space exists and also lane shift tapers on		Where the effective lane width is less than 10 ft to delineate tangents in lieu of drums on		Where the effective lane width is less than 10 ft to delineate edge of pavement drop-off in lieu of drums on		To divide opposing lanes of traffic on	To divide two or more lanes of same direction traffic on
	Freeways	Non-Freeways	Freeways	Non-Freeways	Freeways	Non-Freeways	Freeways	Non-Freeways	Non-Freeways	Non-Freeways
18 in. Cone ① ≤ 40 mph Posted Speed Limit	No	Yes ④	No	Yes ④	No	No	No	No	Yes ④	Yes ④
18 in. Cone ≥ 45 mph Posted Speed Limit	No	No	No	No	No	No	No	No	No	No
28 in. Cone ① ≤ 40 mph Posted Speed Limit	No	Yes ⑤	No	Yes ⑤	No	No	No	No	Yes ⑤	Yes ⑤
28 in. Cone ② 45 mph Posted Speed Limit	No	Yes ④	No	Yes ④	No	No	No	No	Yes ⑤	Yes ⑤
28 in. Cone ≥ 50 mph Posted Speed Limit	No	Yes ④	No	Yes ④	No	No	No	No	Yes ⑤	Yes ⑤
42 in. Channelizer (Cone) ① ⑥ ≤ 45 mph Posted Speed Limit	No	Yes ⑤	No	Yes ⑤	Yes	Yes	Yes	Yes	Yes ⑤	Yes ⑤
42 in. Channelizer (Cone) ② ⑥ ≥ 50 mph Posted Speed Limit	No	Yes ⑤	No	Yes ⑤	Yes	Yes	Yes	Yes	Yes ⑤	Yes ⑤
Direction Indicator Barricade ③	Yes	Yes	No	No	No	No	No	No	No	No
Flexible Tubular Marker ③	No	No	No	No	No	No	No	Yes	Yes	Yes
Vertical Panel ③	No	Yes	No	Yes	No	Yes	No	Yes	No	No
Construction Drum ③	Yes	Yes	Yes	Yes	No	No	No	No	No	No

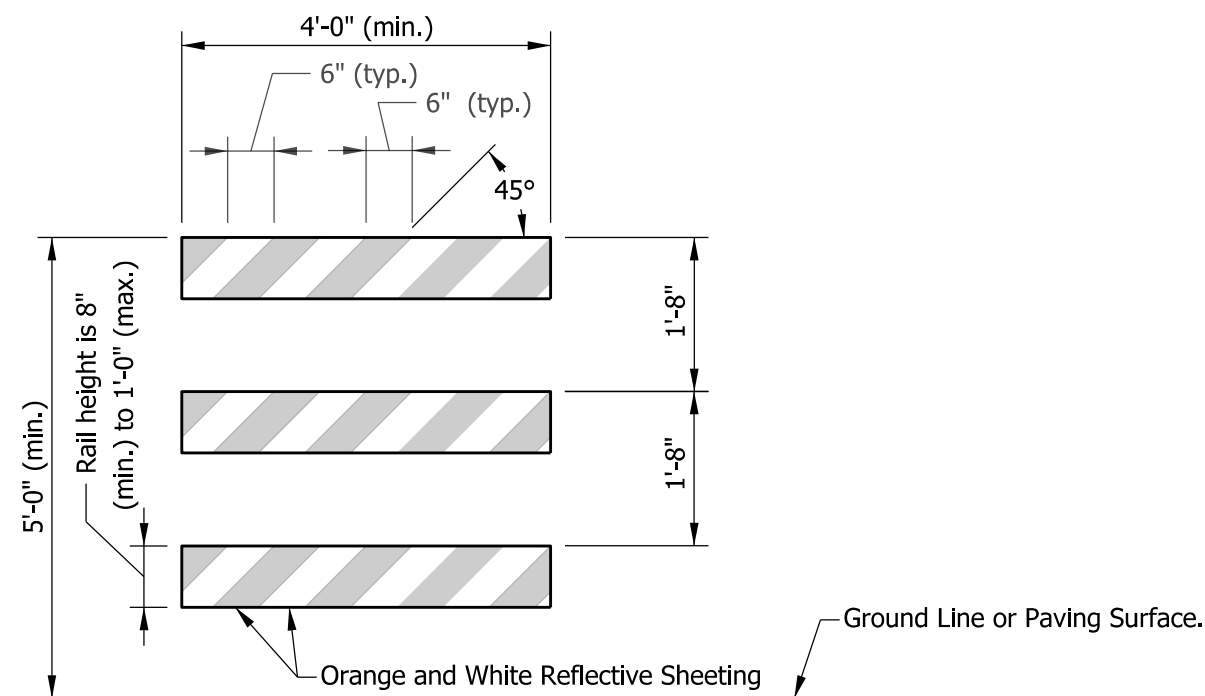
- ① Spacing in tangent shall be 40 ft maximum; spacing between devices in taper shall be numerically equal in feet, maximum, to the posted speed limit in m.p.h.
- ② Spacing in tangent shall be 80 ft maximum; spacing between devices in taper shall be numerically equal in feet, maximum, to the posted speed limit in m.p.h.
- ③ Spacing in tangents shall be 50 ft maximum when the speed limit is 45 m.p.h. or below; spacing in tangents shall be 100 ft maximum when the posted speed limit is 50 mph or above; in cases where the posted speed limit is intermittently set to 45 m.p.h. the channelizing devices shall be maintained at 90 ft maximum spacing; spacing of channelizing devices on tapers shall be numerically equal in feet, maximum, to the posted speed limit in m.p.h.
- ④ May only be used for daylight restrictions.
- ⑤ May not be used for long-term, stationary work (more than 3 days).
- ⑥ 30 lb ballast configuration required.
- 7. For the purpose of channelizing device usage and spacing, the posted speed limit is the permanent posted speed limit, temporary speed limit, or worksite speed limit, whichever is lower.

CHANNELIZING DEVICE USAGE TABLE

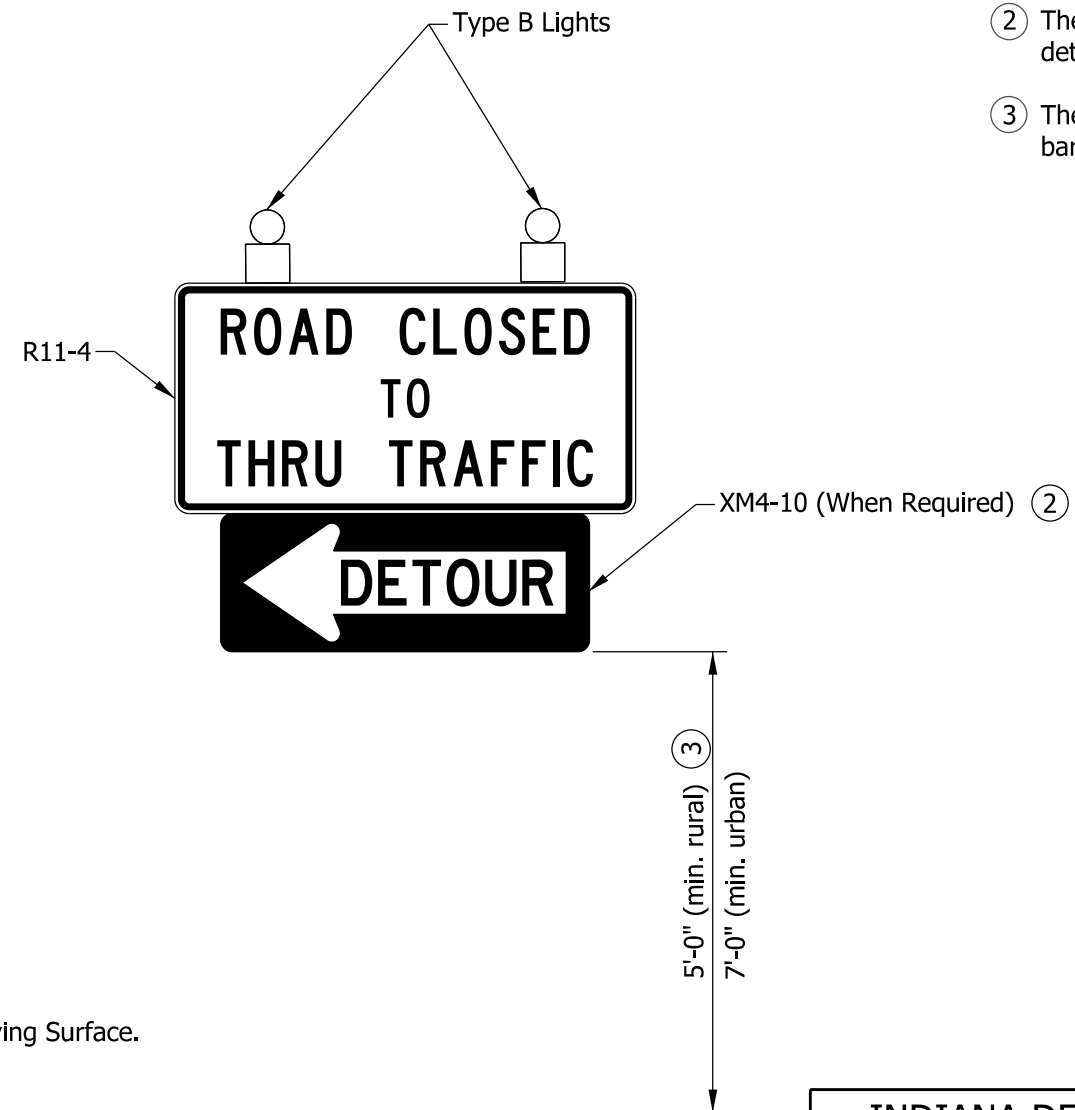
INDIANA DEPARTMENT OF TRANSPORTATION	
CHANNELIZING DEVICE USAGE	
SEPTEMBER 2022	
STANDARD DRAWING NO. E 801-TCDV-04	
	<p style="text-align: right;"><i>David H. Boruff</i> 06/08/22 DESIGN STANDARDS ENGINEER DATE</p> <p style="text-align: right;"><i>[Signature]</i> 06/27/2022 CHIEF ENGINEER DATE</p>

NOTES:

1. Barricade lights, signs, and supports shall satisfy NCHRP 350 or MASH crash evaluation criteria.
- ② The detour arrow sign shall be used only when a detour route has been signed.
- ③ The sign assembly shall be above the Type III barricade.

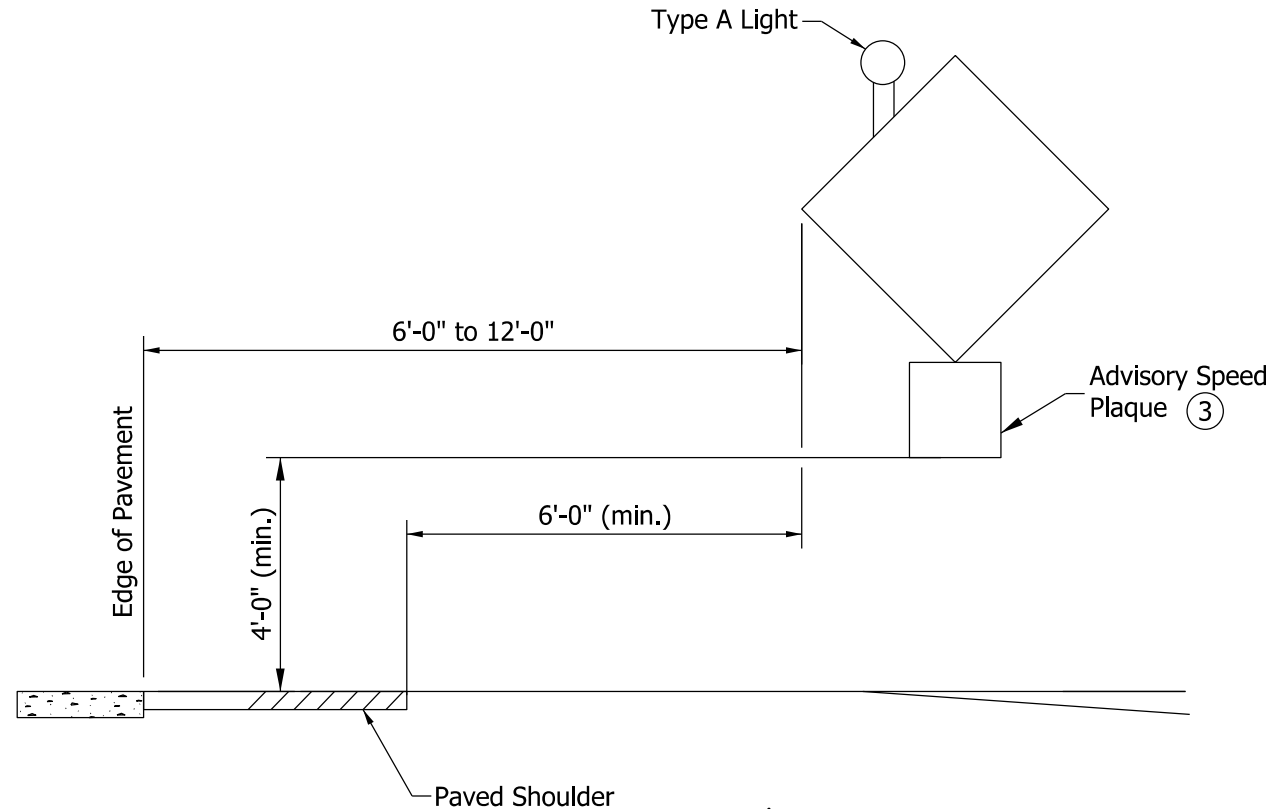
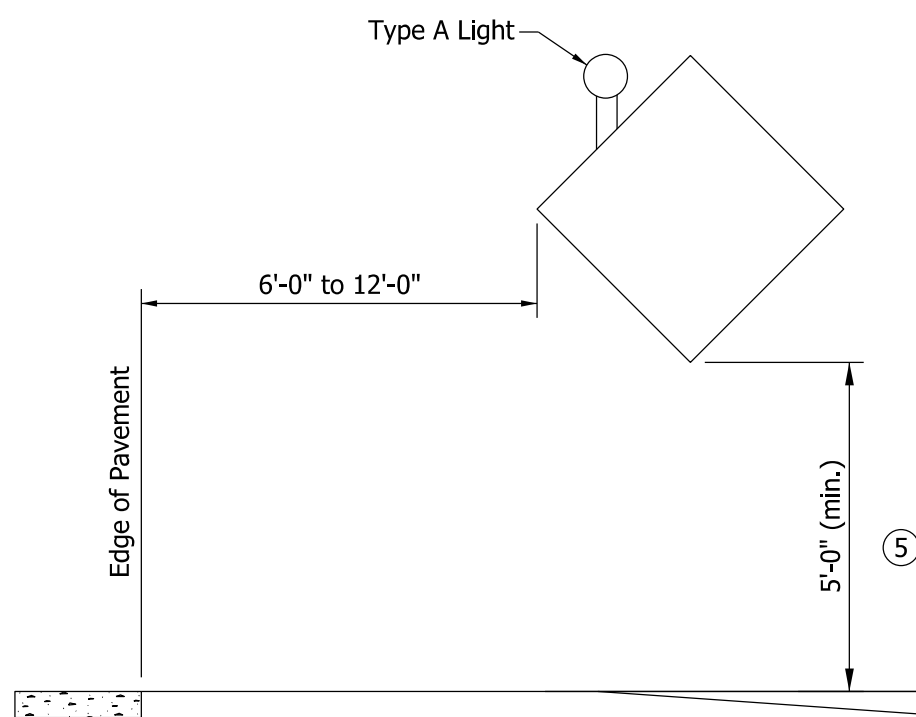


TYPE III BARRICADE

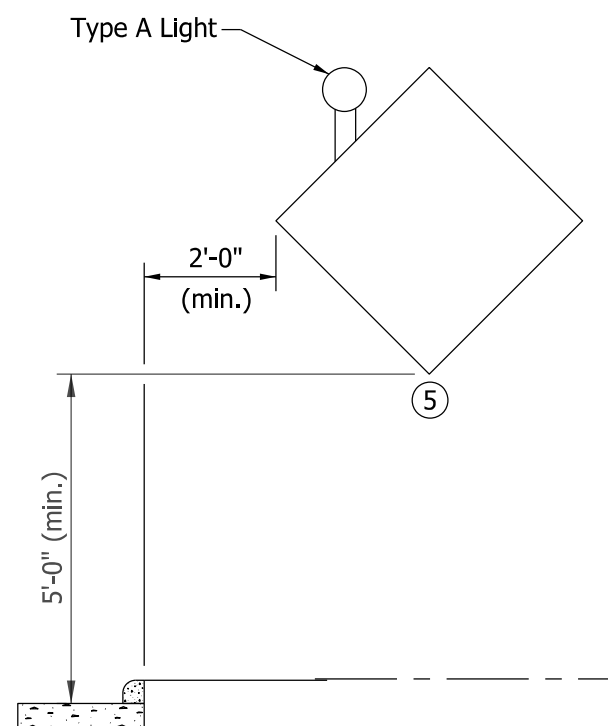
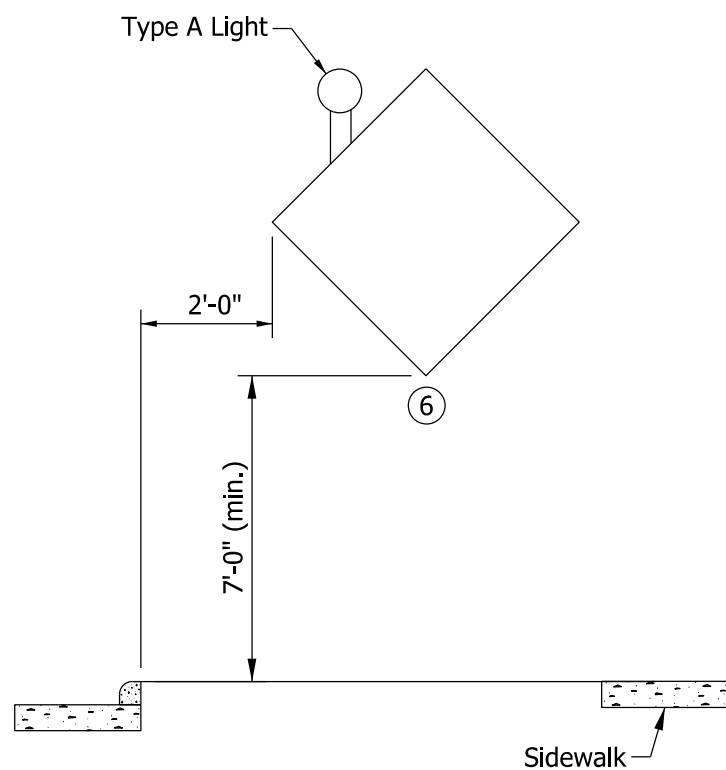


ROAD CLOSURE SIGN ASSEMBLY

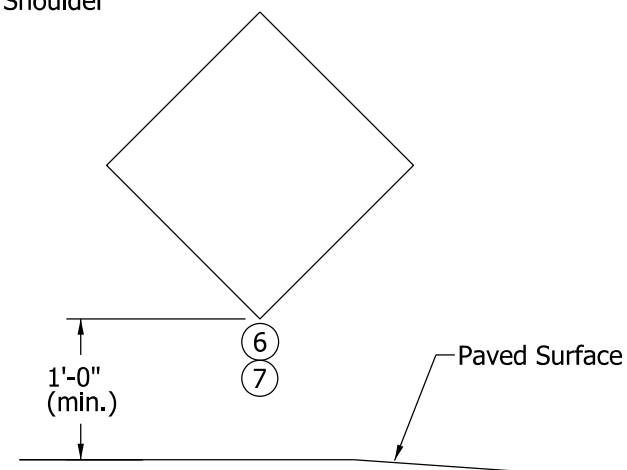
INDIANA DEPARTMENT OF TRANSPORTATION	
TYPE III BARRICADE	
SEPTEMBER 2022	
STANDARD DRAWING NO.	E 801-TCDV-05
	 DESIGN STANDARDS ENGINEER 06/08/22 DATE
	 CHIEF ENGINEER 06/27/2022 DATE



ROADWAY WITHOUT CURB



CURBED ROADWAY



TEMPORARY MOUNTED CONSTRUCTION SIGN

NOTES:

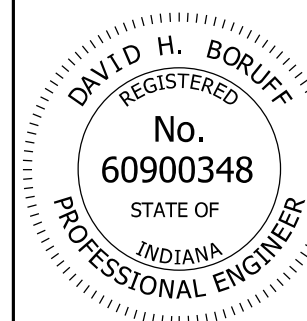
1. See Standard Drawing E 801-TCSN-07 for additional notes.
2. Signs, lights, and supports shall satisfy NCHRP 350 or MASH crash evaluation criteria.
- ③ An advisory speed plaque, required to be placed with another construction sign, may be mounted on the post closest to the roadway at a height not less than 4 ft above the edge of pavement adjacent to the sign. The bottom of the construction warning sign shall not be lower than the top of the advisory speed plaque.
4. Type A warning light required on all construction signs.
- ⑤ In urban area or on Interstate route, mounting height shall not be less than 7 ft.
- ⑥ When signs are placed on sidewalk, a 4 ft useable width shall be maintained. No part of the sign or support that is less than 7 ft in height may protrude more than 4 in. into the 4 ft useable sidewalk width.
- ⑦ Temporary mounted construction sign for nighttime work or for operations which affect traffic lanes shall have a mounting height of 5 ft above the traveled way. On roadways where on-street parking is allowed, temporary mounted construction signs shall have a minimum sign mounting height of 7 ft above the traveled way.

INDIANA DEPARTMENT OF TRANSPORTATION

TYPICAL CONSTRUCTION SIGN MOUNTING

SEPTEMBER 2022

STANDARD DRAWING NO. E 801-TCDV-06

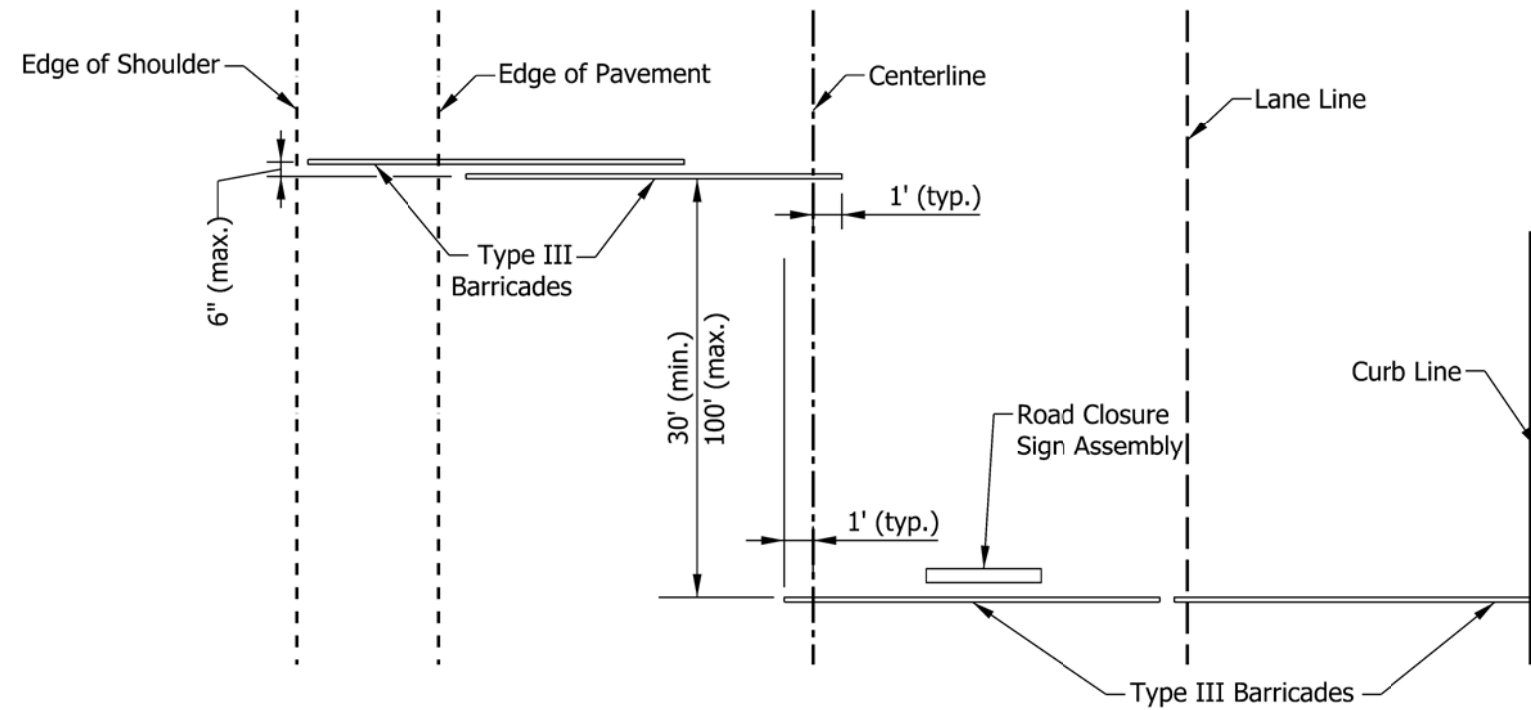


David H. Boruff 06/08/22
DESIGN STANDARDS ENGINEER DATE

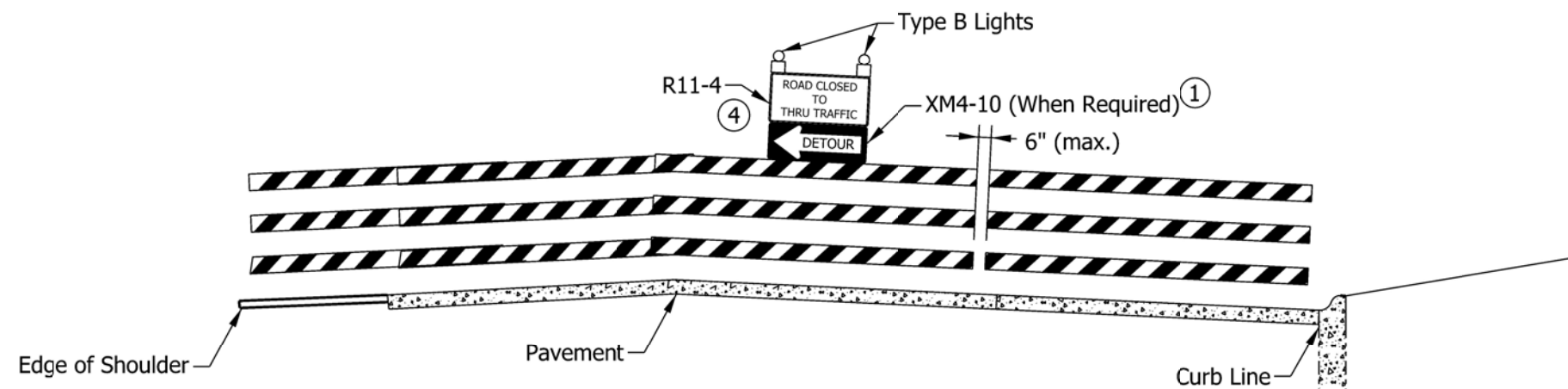
[Signature] 06/27/2022
CHIEF ENGINEER DATE

NOTES:

- ① The detour arrow (XM4-10) sign shall be used only when a detour route has been signed.
2. See Standard Drawing E 801-TCDV-06 for sign mounting information.
3. Barricades and supports shall satisfy NCHRP 350 or MASH crash evaluation criteria.
- ④ The R11-3a ("ROAD CLOSED/LOCAL TRAFFIC ONLY") sign may be substituted for the R11-4 sign as shown on the plans or as directed by the engineer.



PLAN VIEW



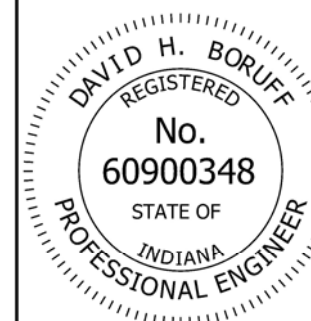
ELEVATION

INDIANA DEPARTMENT OF TRANSPORTATION

TYPE III BARRICADE APPLICATION FOR
ROAD CLOSURE FOR THRU TRAFFIC

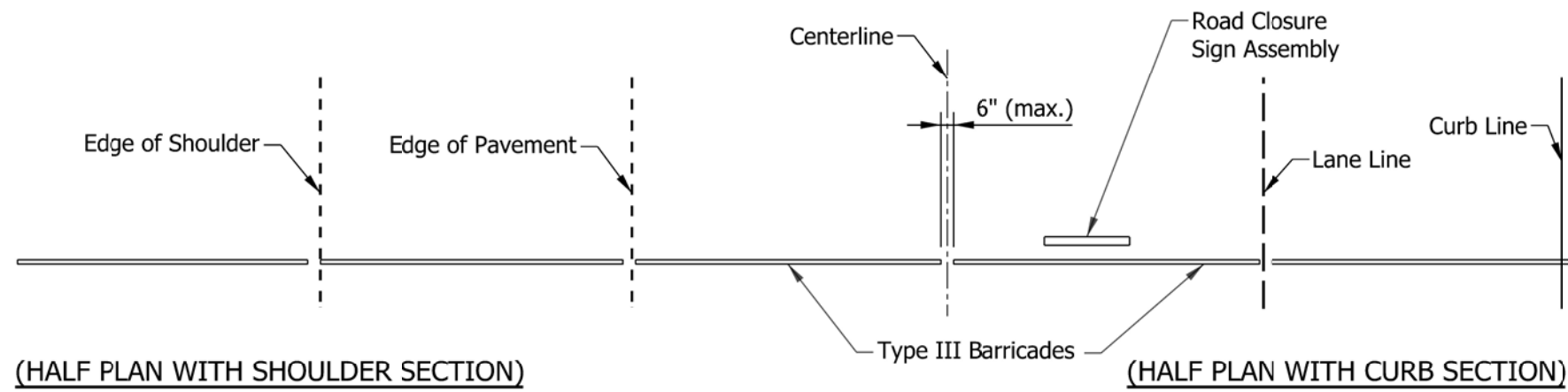
SEPTEMBER 2022

STANDARD DRAWING NO. E 801-TCDV-07

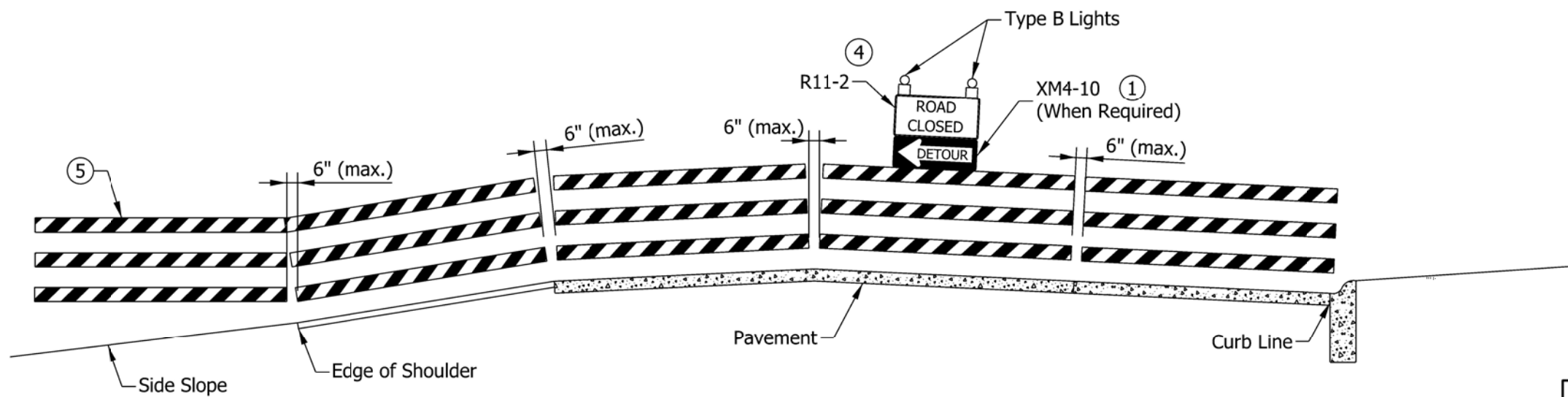


David H. Boruff 06/08/22
DESIGN STANDARDS ENGINEER DATE

[Signature] 06/27/2022
CHIEF ENGINEER DATE



PLAN VIEW



ELEVATION

NOTES:

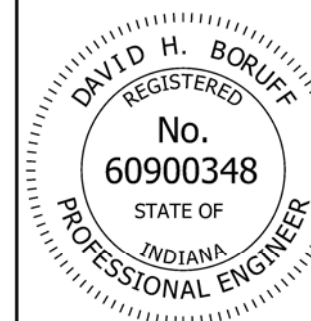
- ① The detour arrow (XM 4-10) sign shall be used only when a detour route has been signed.
2. See Standard Drawing E 801-TCDV-06 for sign mounting information.
3. Barricades and supports shall satisfy NCHRP 350 or MASH crash evaluation criteria.
- ④ The sign legend of the R11-2 sign may be modified to "BRIDGE CLOSED" as shown on the plans or as directed by the engineer.
- ⑤ Barricades shall be supported on driven posts in areas outside of the pavement or sidewalk, where side slopes are 3 to 1 or flatter.

INDIANA DEPARTMENT OF TRANSPORTATION

TYPE III BARRICADE APPLICATION
FOR ROAD CLOSURE TO ALL TRAFFIC

SEPTEMBER 2022

STANDARD DRAWING NO. E 801-TCDV-08

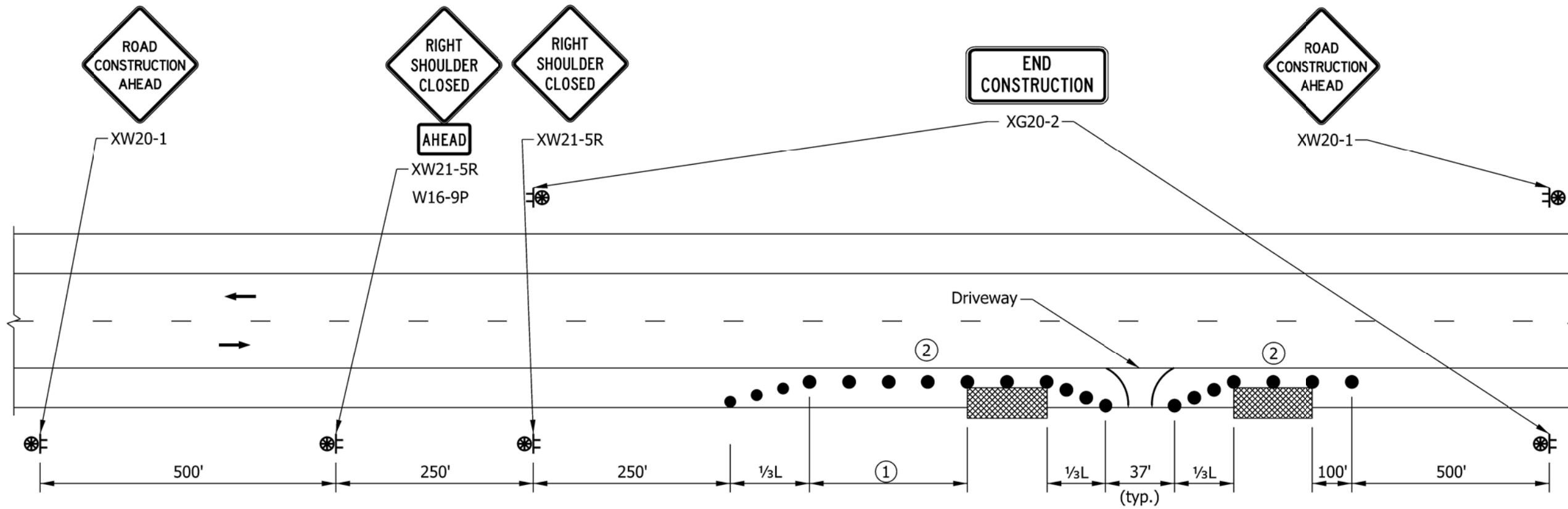


David H. Boruff 06/08/22
DESIGN STANDARDS ENGINEER DATE

[Signature] 06/27/2022
CHIEF ENGINEER DATE

NOTES:

- ① Longitudinal Buffer Length, see table.
- ② Use temporary traffic barrier if required by designer.
- 3. See Standard Drawing series E 801-TCDV for distance, L.



LEGEND

- Temporary Traffic Barrier
- Channelizing Device
- Construction Sign and Supports
- Construction Warning Light
- Direction of Traffic
- Crash Cushion
- Work Area

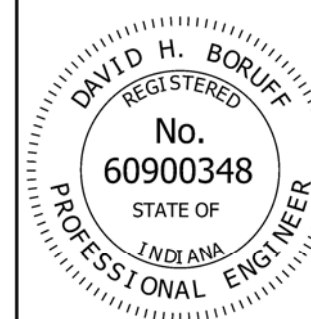
LONGITUDINAL BUFFER LENGTH	
Posted Speed Limit (mph)	Length (ft)
≤30	200
35	250
40	305
45	360
50	425
55	495

INDIANA DEPARTMENT OF TRANSPORTATION

SHOULDER CLOSURE ON
TWO LANE HIGHWAY WITH LOCAL ACCESS

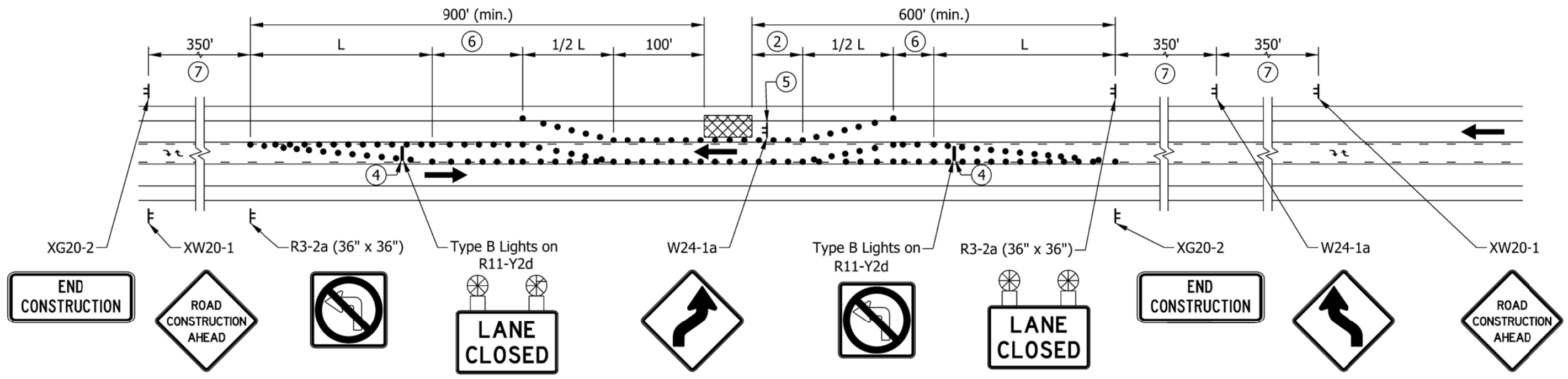
SEPTEMBER 2022

STANDARD DRAWING NO. E 801-TCSC-06



David H. Boruff 05/17/22
DESIGN STANDARDS ENGINEER DATE

[Signature] 07/07/2022
CHIEF ENGINEER DATE



NOTES:

1. See Standard Drawing series E 801-TCDV for merge distance, L.
- ② Longitudinal Buffer Length, see table.
3. R3-2A must be repeated at each intersection and at class 3 and 4 drives.
- ④ Type III Barricade
- ⑤ The lane-shift sign shall be placed 350 ft in advance of the return lane-shift.
- ⑥ Access Control Buffer, if required.
- ⑦ For urban locations where the speed limit is ≤ 35 mph, the sign spacing may be reduced to 100 ft.

LONGITUDINAL BUFFER LENGTH	
Posted Speed Limit (mph)	Length (ft)
25	155
30	200
35	250
40	305
45	360
50	425
55	495
60	570
65	645
70	730

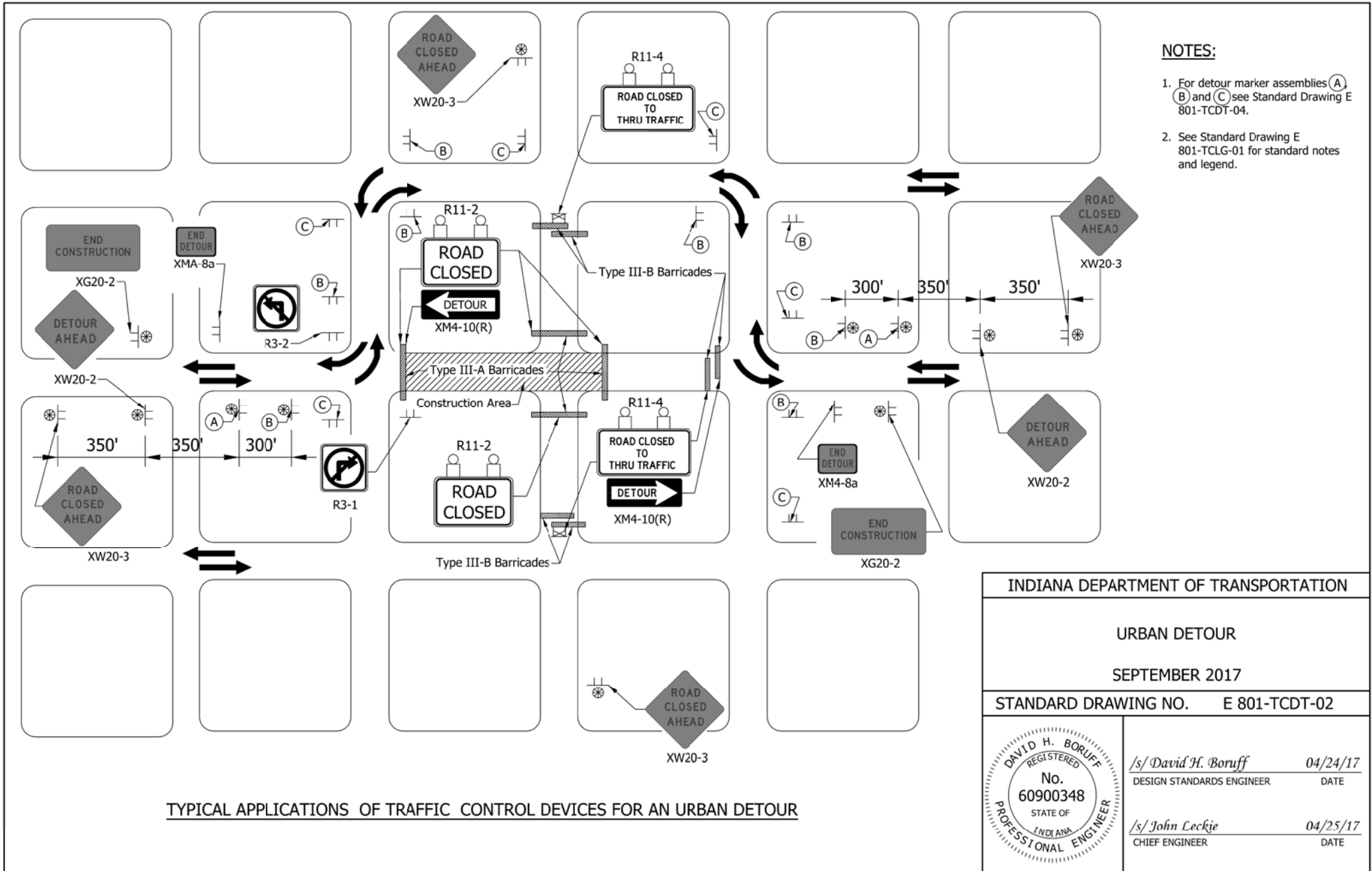
INDIANA DEPARTMENT OF TRANSPORTATION

**SHORT OR INTERMEDIATE TERM STATIONARY
LANE CLOSURE ON THREE LANE ROAD**

SEPTEMBER 2022

STANDARD DRAWING NO. E 801-TCLC-12

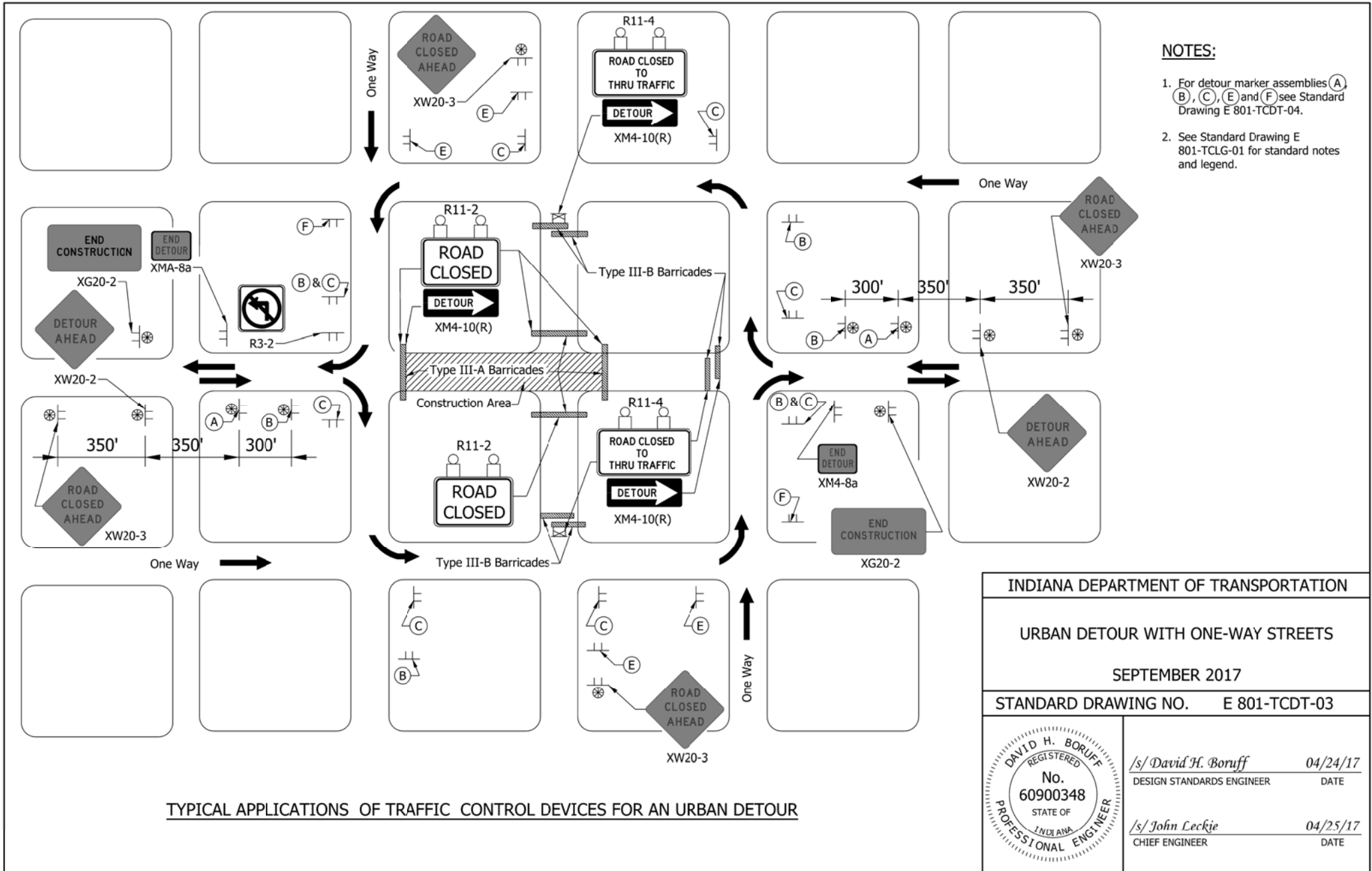
	<p style="text-align: right;"><i>David H. Boruff</i> 06/08/22 DESIGN STANDARDS ENGINEER DATE</p> <p style="text-align: right;"><i>[Signature]</i> 06/27/2022 CHIEF ENGINEER DATE</p>
--	--



- NOTES:**
1. For detour marker assemblies (A), (B) and (C) see Standard Drawing E 801-TCDT-04.
 2. See Standard Drawing E 801-TCLG-01 for standard notes and legend.

TYPICAL APPLICATIONS OF TRAFFIC CONTROL DEVICES FOR AN URBAN DETOUR

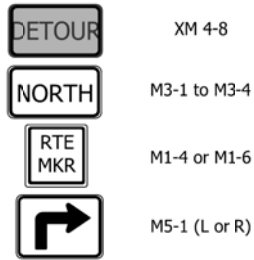
INDIANA DEPARTMENT OF TRANSPORTATION	
URBAN DETOUR	
SEPTEMBER 2017	
STANDARD DRAWING NO.	E 801-TCDT-02
	/s/ David H. Boruff 04/24/17 DESIGN STANDARDS ENGINEER DATE
	/s/ John Leckje 04/25/17 CHIEF ENGINEER DATE



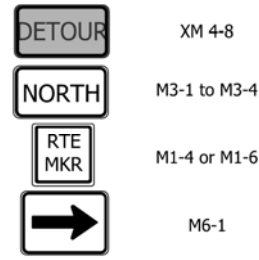
- NOTES:**
1. For detour marker assemblies (A), (B), (C), (E) and (F) see Standard Drawing E 801-TCDT-04.
 2. See Standard Drawing E 801-TCLG-01 for standard notes and legend.

TYPICAL APPLICATIONS OF TRAFFIC CONTROL DEVICES FOR AN URBAN DETOUR

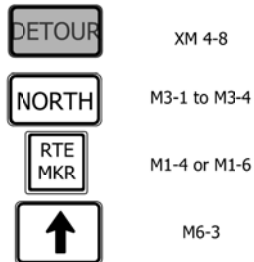
INDIANA DEPARTMENT OF TRANSPORTATION	
URBAN DETOUR WITH ONE-WAY STREETS	
SEPTEMBER 2017	
STANDARD DRAWING NO.	E 801-TCDT-03
	<i>/s/ David H. Boruff</i> 04/24/17 DESIGN STANDARDS ENGINEER DATE
	<i>/s/ John Leckje</i> 04/25/17 CHIEF ENGINEER DATE



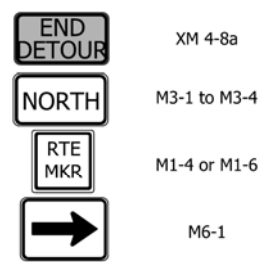
(A) ADVANCE TURN DETOUR ROUTE MARKER ASSEMBLY ①



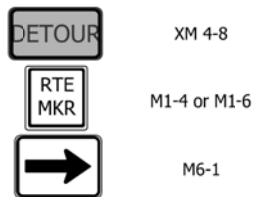
(B) DIRECTIONAL DETOUR ROUTE MARKER ASSEMBLY ②



(C) CONFIRMING DETOUR ROUTE MARKER ASSEMBLY ③



(D) END DETOUR ROUTE MARKER ASSEMBLY ④



(E) BI-DIRECTIONAL DETOUR ROUTE MARKER ASSEMBLY

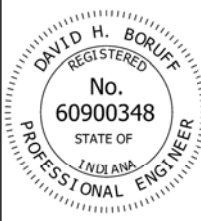


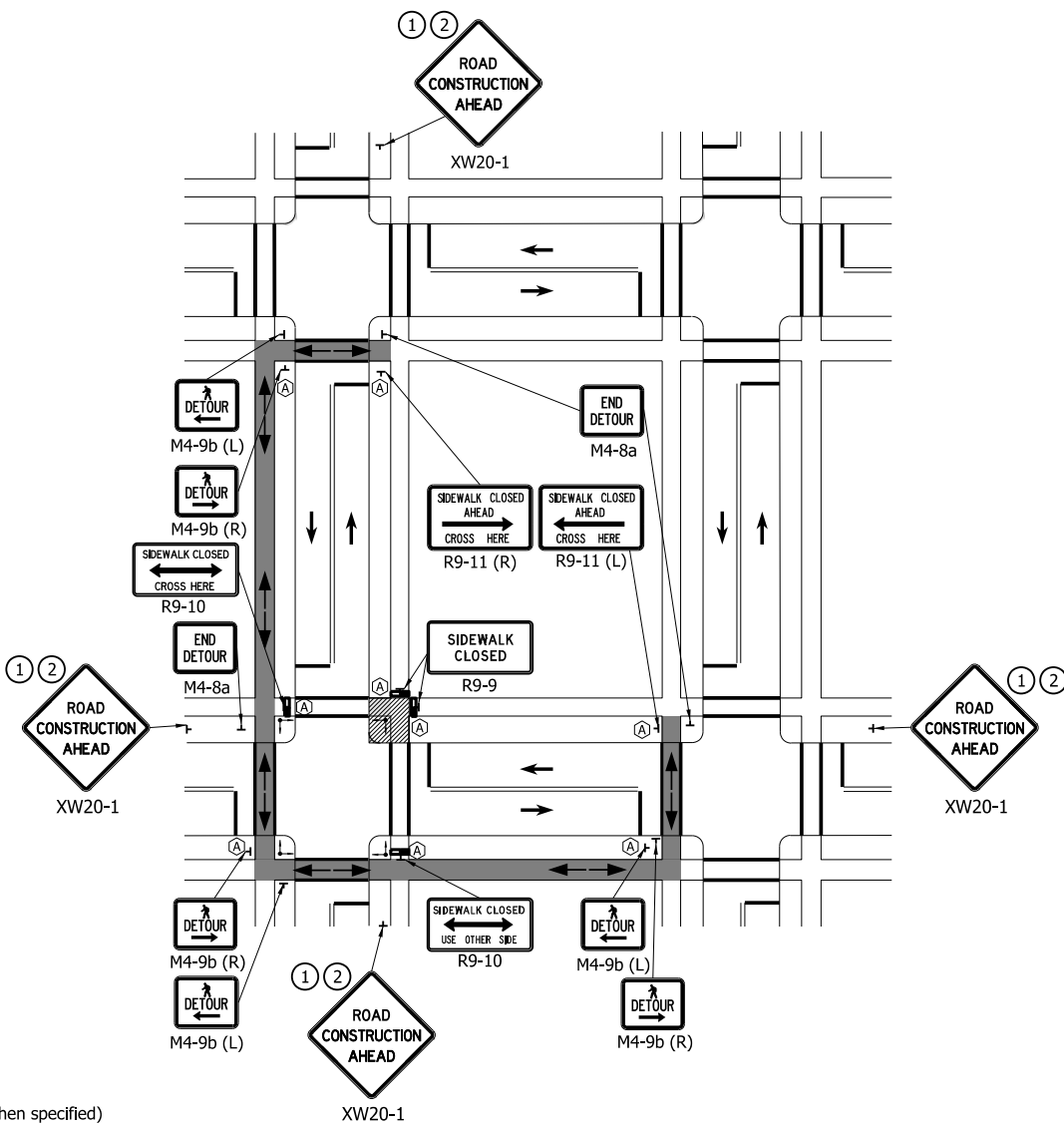
(F) BI-DIRECTIONAL CONFIRMING DETOUR ROUTE MARKER ASSEMBLY

STATE HIGHWAY / NUMBERED LOCAL HIGHWAY

NOTES:

- ① Advance turn detour route marker assemblies shall be located as shown, or after the last cross street prior to the beginning of the detour, as directed.
- ② Directional detour route marker assemblies shall be located 100 ft. to 200 ft. in advance of all required turns within the detour limits.
- ③ Confirming detour route marker assemblies shall be located 200 ft. past all major intersections, as required, and shall be spaced a maximum of 3 mi. on a rural detour or 0.5 mi. on an urban detour on each leg of such detours. Confirming detour route marker assemblies shall be placed after a required turn when directed.
- ④ End detour route marker assemblies shall be located 100 ft. to 200 ft. in advance of the final turn of the detour.

INDIANA DEPARTMENT OF TRANSPORTATION									
DETOUR ROUTE MARKER ASSEMBLIES									
SEPTEMBER 2017									
STANDARD DRAWING NO.	E 801-TCDT-04								
	<table style="width: 100%; border-collapse: collapse;"> <tr> <td style="border-bottom: 1px solid black; padding: 2px;">/s/ David H. Boruff</td> <td style="border-bottom: 1px solid black; padding: 2px; text-align: right;">04/24/17</td> </tr> <tr> <td style="font-size: small; padding: 2px;">DESIGN STANDARDS ENGINEER</td> <td style="font-size: small; padding: 2px; text-align: right;">DATE</td> </tr> <tr> <td style="border-bottom: 1px solid black; padding: 2px;">/s/ John Leckje</td> <td style="border-bottom: 1px solid black; padding: 2px; text-align: right;">04/25/17</td> </tr> <tr> <td style="font-size: small; padding: 2px;">CHIEF ENGINEER</td> <td style="font-size: small; padding: 2px; text-align: right;">DATE</td> </tr> </table>	/s/ David H. Boruff	04/24/17	DESIGN STANDARDS ENGINEER	DATE	/s/ John Leckje	04/25/17	CHIEF ENGINEER	DATE
/s/ David H. Boruff	04/24/17								
DESIGN STANDARDS ENGINEER	DATE								
/s/ John Leckje	04/25/17								
CHIEF ENGINEER	DATE								

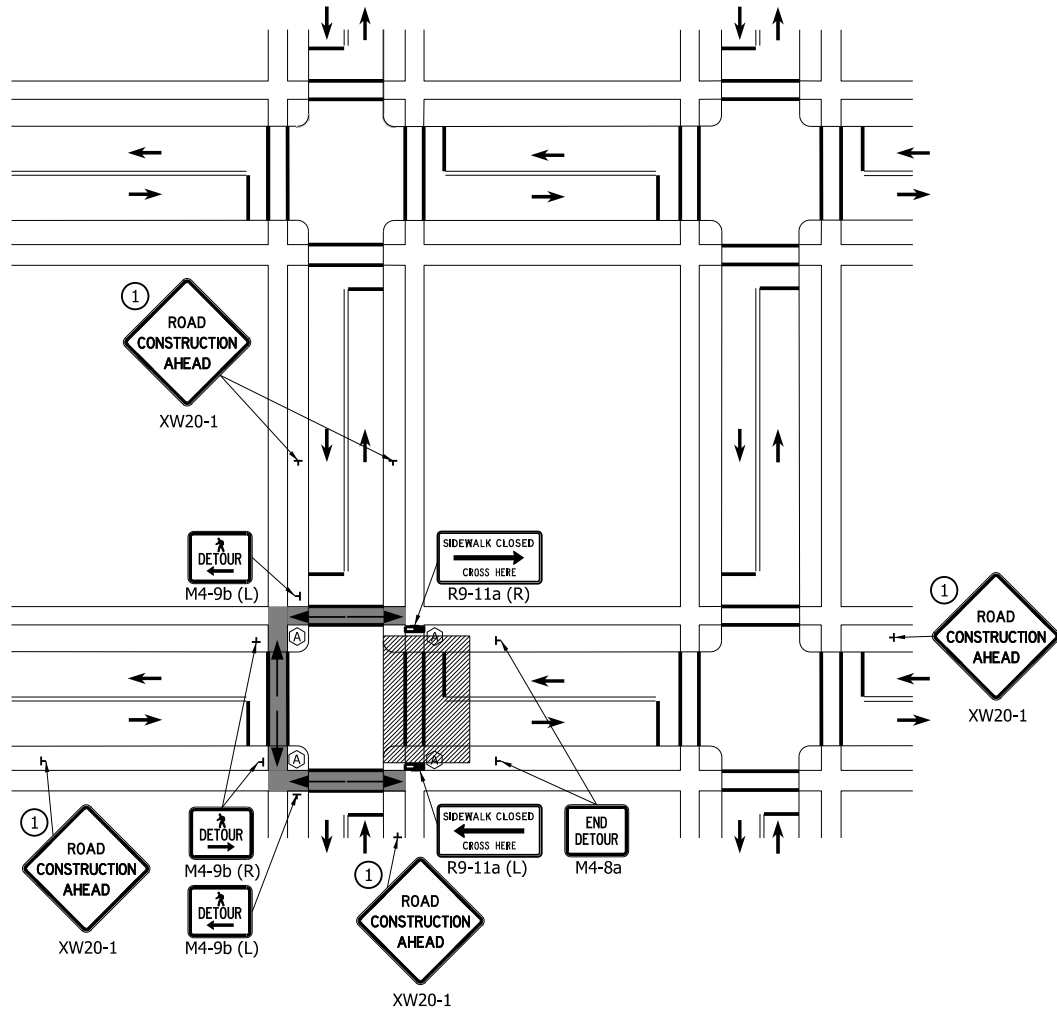


- LEGEND**
- Work Area
 - Pedestrian Detour Direction
 - Direction of Traffic
 - Audible Information Device (when specified)
 - Sign (shown facing right)
 - Traffic or Pedestrian Signal
 - Temporary Pedestrian Channelizer
 - Pedestrian Detour Route


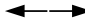


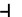



NOTES:

- ① Road Construction Ahead signs shall be placed a minimum 350 ft in advance of the work area. This distance may be reduced to 100 ft if the permanent posted speed limit is 30 mph or less.
- ② When there is no concurrent road construction, the message "Sidewalk Construction Ahead" may be used. They shall be placed a minimum of 100 ft in advance of the closure.

INDIANA DEPARTMENT OF TRANSPORTATION	
PEDESTRIAN DETOUR CORNER CLOSURE	
SEPTEMBER 2024	
STANDARD DRAWING NO.	E 801-TPAR-02
	<p style="text-align: right;"><i>David H. Boruff</i> 4/26/2024 DESIGN STANDARDS ENGINEER DATE</p> <p style="text-align: right;"><i>[Signature]</i> 05/13/2024 CHIEF ENGINEER DATE</p>



LEGEND

-  Work Area
-  Pedestrian Detour Direction
-  Direction of Traffic
-  Audible Information Device (when specified)
-  Sign (shown facing right)
-  Traffic or Pedestrian Signal
-  Temporary Pedestrian Channelizer
-  Pedestrian Detour Route

NOTE:

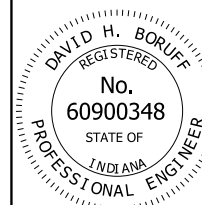
- ① Road Construction Ahead signs shall be placed a minimum 350 ft in advance of the work area. This distance may be reduced to 100 ft if the permanent posted speed limit is 30 mph or less.

INDIANA DEPARTMENT OF TRANSPORTATION

PEDESTRIAN DETOUR
CROSSWALK CLOSURE

SEPTEMBER 2024

STANDARD DRAWING NO. E 801-TPAR-03

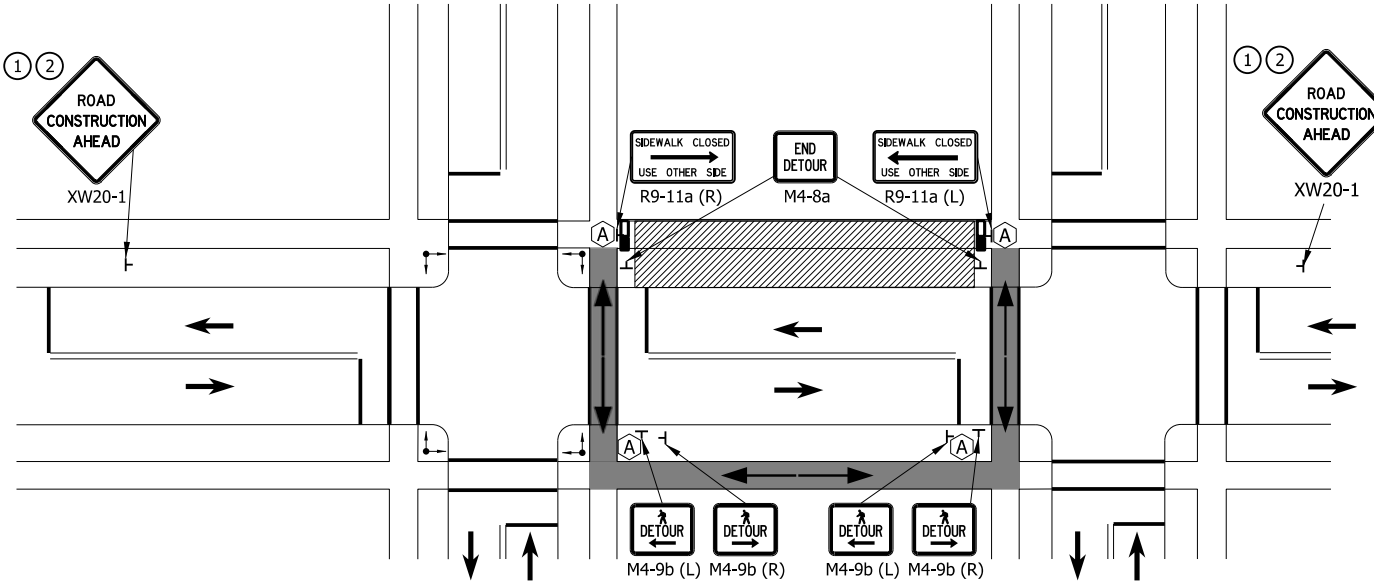


David H. Boruff 4/26/2024
DESIGN STANDARDS ENGINEER DATE

[Signature] 05/13/2024
CHIEF ENGINEER DATE

NOTES:

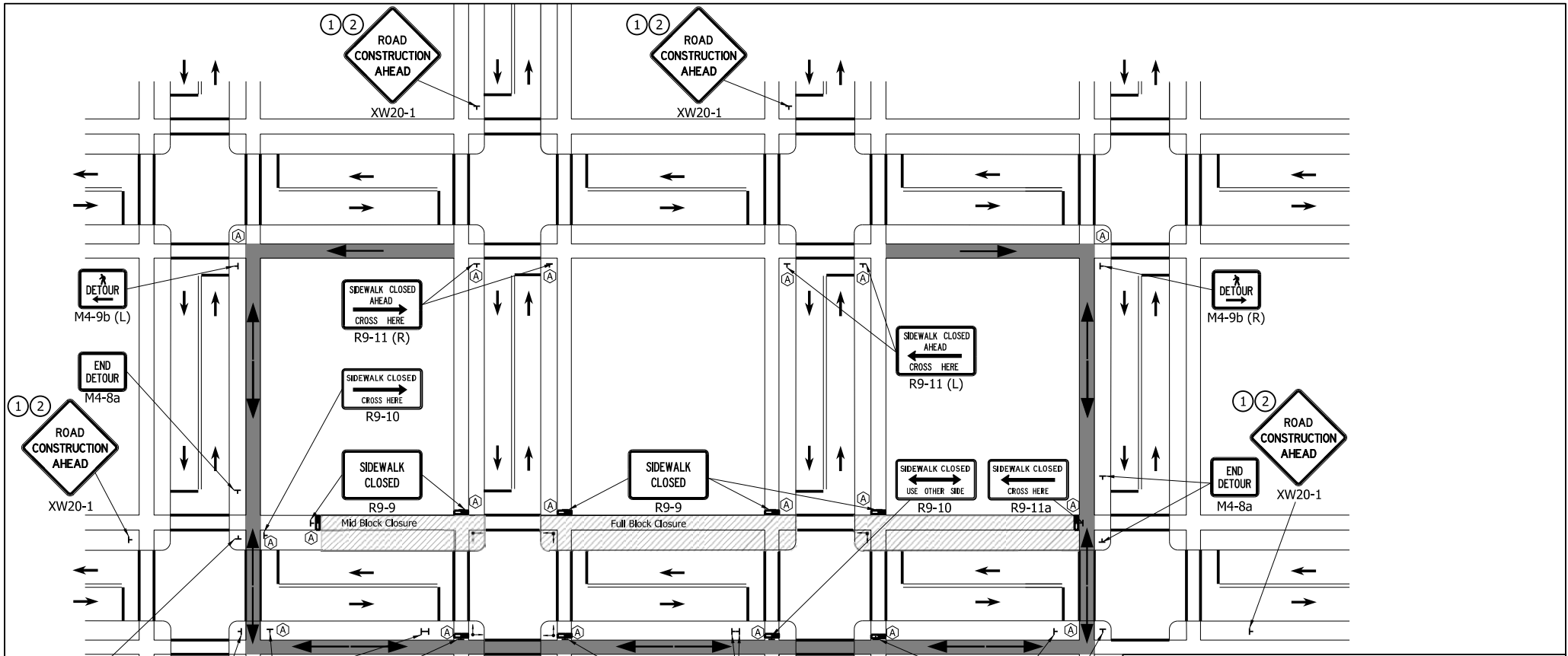
- ① Road Construction Ahead signs shall be placed a minimum 350 ft in advance of the work area. This distance may be reduced to 100 ft if the permanent posted speed limit is 30 mph or less.
- ② When there is no concurrent road construction, the message "Sidewalk Construction Ahead" may be used. They shall be placed a minimum of 100 ft in advance of the closure.
3. The Contractor shall coordinate any on-street parking restrictions with the local public agency.



LEGEND

- Work Area
- Pedestrian Detour Direction
- Direction of Traffic
- Audible Information Device (when specified)
- Sign (shown facing right)
- Traffic or Pedestrian Signal
- Temporary Pedestrian Channelizer
- Pedestrian Detour Route

INDIANA DEPARTMENT OF TRANSPORTATION									
PEDESTRIAN DETOUR FULL BLOCK CLOSURE									
SEPTEMBER 2024									
STANDARD DRAWING NO.	E 801-TPAR-04								
	<table style="width: 100%; border-collapse: collapse;"> <tr> <td style="width: 80%; text-align: right;"></td> <td style="width: 20%; text-align: right;">4/26/2024</td> </tr> <tr> <td style="text-align: right;">DESIGN STANDARDS ENGINEER</td> <td style="text-align: right;">DATE</td> </tr> <tr> <td style="width: 80%; text-align: right;"></td> <td style="width: 20%; text-align: right;">05/13/2024</td> </tr> <tr> <td style="text-align: right;">CHIEF ENGINEER</td> <td style="text-align: right;">DATE</td> </tr> </table>		4/26/2024	DESIGN STANDARDS ENGINEER	DATE		05/13/2024	CHIEF ENGINEER	DATE
	4/26/2024								
DESIGN STANDARDS ENGINEER	DATE								
	05/13/2024								
CHIEF ENGINEER	DATE								



LEGEND

- Work Area
- Pedestrian Detour Direction
- Direction of Traffic
- Audible Information Device (when specified)
- Sign (shown facing right)
- Traffic or Pedestrian Signal
- Temporary Pedestrian Channelizer
- Pedestrian Detour Route

NOTES:

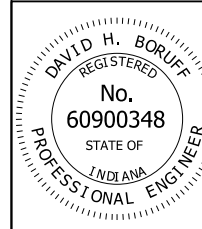
- ① Road Construction Ahead signs shall be placed a minimum 350 ft in advance of the work area. This distance may be reduced to 100 ft if the permanent posted speed limit is 30 mph or less.
- ② When there is no concurrent road construction, the message "Sidewalk Construction Ahead" may be used. They shall be placed a minimum of 100 ft in advance of the closure.
3. The Contractor shall coordinate any on-street parking restrictions with the local public agency.

INDIANA DEPARTMENT OF TRANSPORTATION

PEDESTRIAN DETOUR
MULTI-BLOCK CLOSURE

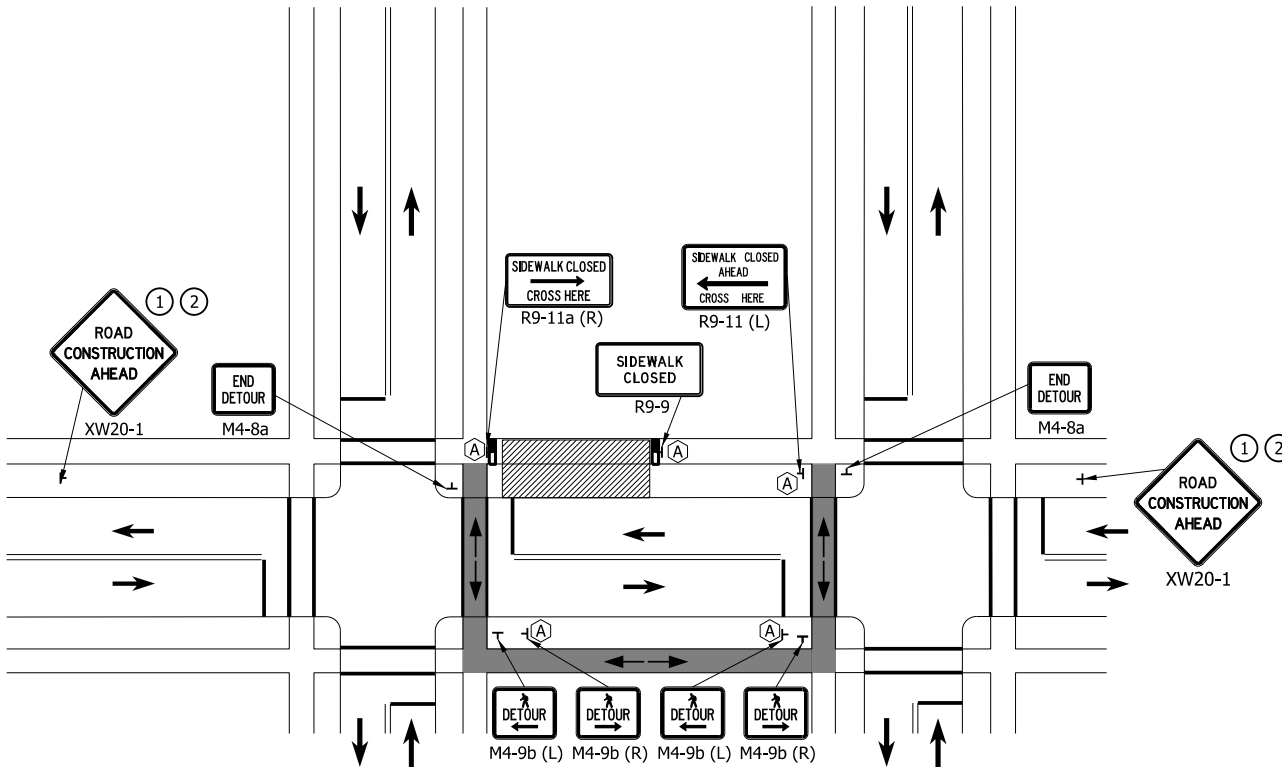
SEPTEMBER 2024

STANDARD DRAWING NO. E 801-TPAR-05



David H. Boruff 4/26/2024
DESIGN STANDARDS ENGINEER DATE

[Signature] 05/13/2024
CHIEF ENGINEER DATE



LEGEND

- Work Area
- Pedestrian Detour Direction
- Direction of Traffic
- Audible Information Device (when specified)
- Sign (shown facing right)
- Traffic or Pedestrian Signal
- Temporary Pedestrian Channelizer
- Pedestrian Detour Route

NOTES:

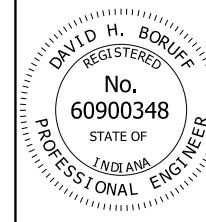
- ① Road Construction Ahead signs shall be placed a minimum 350 ft in advance of the work area. This distance may be reduced to 100 ft if the permanent posted speed limit is 30 mph or less.
- ② When there is no concurrent road construction, the message "Sidewalk Construction Ahead" may be used. They shall be placed a minimum of 100 ft in advance of the closure.
3. The Contractor shall coordinate any on-street parking restrictions with the local public agency.

INDIANA DEPARTMENT OF TRANSPORTATION

PEDESTRIAN DETOUR
MIDBLOCK CLOSURE

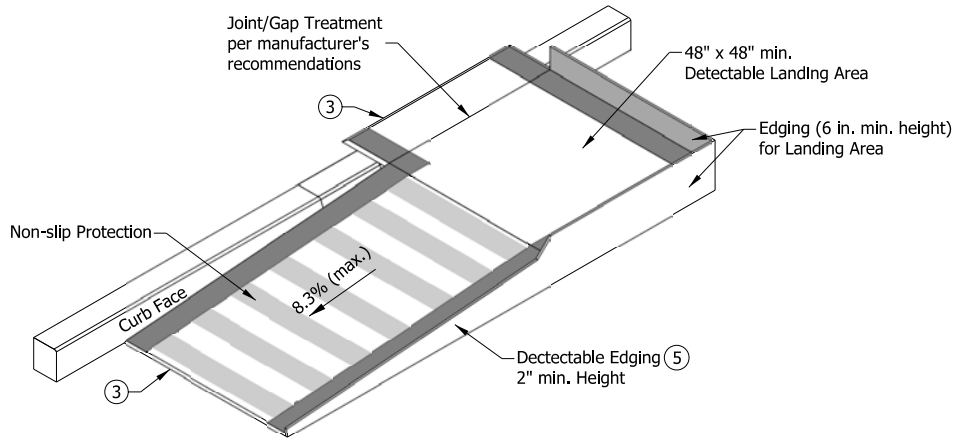
SEPTEMBER 2024

STANDARD DRAWING NO. E 801-TPAR-06

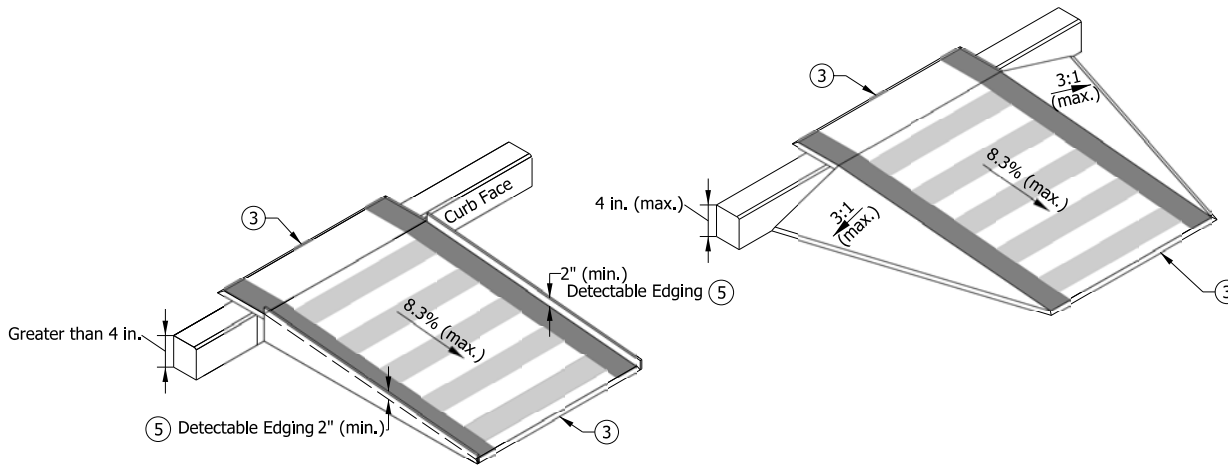


David H. Boruff 4/26/2024
DESIGN STANDARDS ENGINEER DATE

[Signature] 05/13/2024
CHIEF ENGINEER DATE



Temporary Curb Ramp - Parallel to Curb



Temporary Curb Ramp - Perpendicular to Curb

NOTES:

1. Water flow in the gutter system shall be maintained.
2. Lateral joints or gaps between surfaces shall be less than 0.5 in. width.
- 3 Changes in level between surface heights shall not exceed 0.5 in. Lateral edges shall be vertical up to 0.25 in. high, and beveled at 2:1 between 0.25 in. and 0.5 in. in height
4. Handrail shall be provided along a landing area and ramp where the elevation difference between the sidewalk and the street is greater than 6.0 in.
- 5 A 2.0 in. detectable edge shall be provided along the entire length of the ramp where the elevation difference between the sidewalk and the street is greater than 4.0 in.
6. The rise of a single temporary curb ramp shall be no more than 30 in. If more than one temporary curb ramp is needed at a location due to the change in elevation, a minimum 5 ft landing area shall be used between curb ramps. The landing area shall have a slope of less than 2.0%.
7. The table below is for common curb heights, the curb ramp length for other curb heights shall be based on having a maximum slope of 12:1.

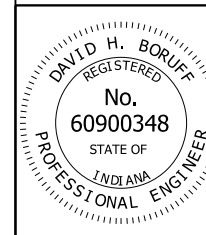
Curb Height (in.)	Minimum Temporary Curb Ramp Length (ft)
3	3
4	4
5	5
6	6

INDIANA DEPARTMENT OF TRANSPORTATION

TEMPORARY CURB RAMPS

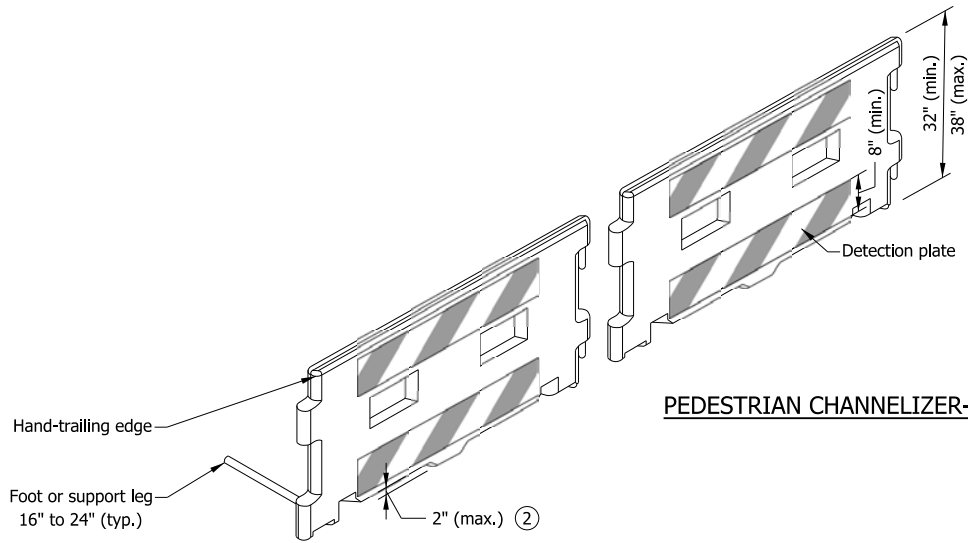
SEPTEMBER 2024

STANDARD DRAWING NO. E 801-TPAR-10

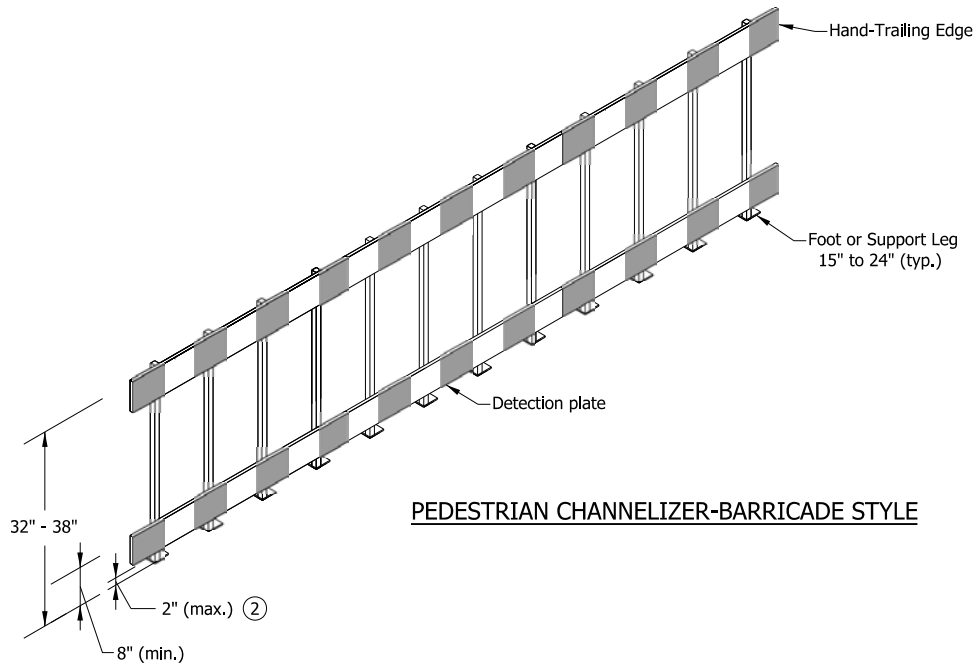


David H. Boruff 4/26/2024
 DESIGN STANDARDS ENGINEER DATE

[Signature] 05/13/2024
 CHIEF ENGINEER DATE



PEDESTRIAN CHANNELIZER-BARRIER STYLE



PEDESTRIAN CHANNELIZER-BARRICADE STYLE

NOTES:

1. Ballast shall be located behind or internal to the device. Any support on the front of the device shall not extend into the 48 in. minimum walkway clear space and shall have 0.25 in. max. height above the walkway surface.
- ② Devices shall not block water drainage from the walkway. A gap height or opening from the walkway surface up to 2 in. max. height is allowed for drainage purposes.
3. Type III Barricades shall not be used as pedestrian channelizers.
4. The hand-trailing edge and detection plate shall have alternating orange and white reflective sheeting oriented vertically or at a 45° angle.

INDIANA DEPARTMENT OF TRANSPORTATION	
TEMPORARY PEDESTRIAN CHANNELIZERS	
SEPTEMBER 2024	
STANDARD DRAWING NO.	E 801-TPAR-11
	 DESIGN STANDARDS ENGINEER 4/26/2024 DATE
	 CHIEF ENGINEER 05/13/2024 DATE



RIGHT OF WAY PERMIT

State Form 41769 (R8 / 5-17)

Approved by State Board of Accounts, 2017

Approved by Auditor of State, 2017

STATE OF INDIANA INDIANA DEPARTMENT OF TRANSPORTATION

Type of Permit:		
<input type="checkbox"/> Occupancy (Above Ground) <input type="checkbox"/> Occupancy (Below Ground) <input type="checkbox"/> Railroad <input checked="" type="checkbox"/> Miscellaneous <input type="checkbox"/> Shared Use		
District Laporte	Subdistrict	Telephone number
Project locations: SR 53 from E. 8th avenue to W. 9th avenue		Reference pt. number 13.41
Project description: Right lane closure NB SR 53. Short-term full closure of NB SR 53. East sidewalk closure SR 53 from W. 9th Ave. to E. 8th Ave. South sidewalk closure E. 8th Ave. from Massachusetts St. to SR 53. EB lane closure E. 8th Ave. from SR 53 to Massachusetts St., detour EB 8th Ave. Massachusetts St. left parking lane/lane closure (one way NB) adjacent to site		
Project purpose: Building demolition of 810 Massachusetts and 813 Broadway in Gary Indiana		
Bond required: <input type="checkbox"/> Yes <input checked="" type="checkbox"/> No	If Yes, Penal Sum \$	Bond number
PERMIT FEE: (Make check or bank draft payable to "Indiana Department of Transportation") Fee amounts per IC 8-23-2-6(13); fee schedule address: http://www.in.gov/indot/2727.htm		\$ 0
SPECIAL PROVISIONS:		
<p>THE APPLICANT AGREES TO INDEMNIFY, DEFEND, EXCULPATE, AND HOLD HARMLESS THE STATE OF INDIANA, ITS OFFICIALS AND EMPLOYEES FROM ANY LIABILITY DUE TO LOSS, DAMAGE, INJURIES, OR OTHER CASUALTIES OF WHATSOEVER KIND, OR BY WHOMSOEVER CAUSED, TO THE PERSON OR PROPERTY OF ANYONE ON OR OFF THE RIGHT-OF-WAY ARISING OUT OF, OR RESULTING FROM THE ISSUANCE OF THIS PERMIT OR THE WORK CONNECTED THEREWITH, OR FROM THE INSTALLATION, EXISTENCE, USE, MAINTENANCE, CONDITIONS, REPAIRS, ALTERATION, OR REMOVAL OF ANY EQUIPMENT OR MATERIAL, WHETHER DUE IN WHOLE OR IN PART TO THE NEGLIGENT ACTS OR OMISSIONS (1) OF THE STATE, ITS OFFICIALS, AGENTS, OR EMPLOYEES; OR (2) OF THE APPLICANT, HIS AGENTS, OR EMPLOYEES, OR OTHER PERSONS ENGAGED IN THE PERFORMANCE OF THE WORK, OR (3) THE JOINT NEGLIGENCE OF ANY OF THEM; INCLUDING ANY CLAIMS ARISING OUT OF THE WORKMEN'S COMPENSATION ACT OR ANY OTHER LAW, ORDINANCE, ORDER, OR DECREE. THE APPLICANT ALSO AGREES TO PAY ALL REASONABLE EXPENSES AND ATTORNEY'S FEES INCURRED BY OR IMPOSED ON THE STATE IN CONNECTION HERewith IN THE EVENT THAT THE APPLICANT SHALL DEFAULT UNDER THE PROVISIONS OF THIS PARAGRAPH.</p>		
Signature of permit applicant	Printed name of permit applicant William Allen	
Name of company organization City of Gary	Telephone number (219) 881-1310 Ext.	
Address (number and street, city, state, ZIP code) 401 Broadway Detroit, IN 48202		
Inspector Guadalupe Gomez		
District Regulatory Supervisor -		
District Director		

Application number
T0000200571

Road number
SR 53

County number
Lake

Expiration date
09/19/2026

Issue date
09/19/2025

Permit number
E25LM10116



RIGHT OF WAY PERMIT

ADDITIONAL SPECIAL PROVISIONS

**STATE OF INDIANA
INDIANA DEPARTMENT OF TRANSPORTATION**

Please notify your INDOT permit investigator 5 days prior to the start of the permitted work.
Lupe Gomez 219-939-3908 Ggomez@indot.IN.gov

Traffic Control: The permittee is responsible to install and maintain any necessary traffic control signs, barricades, and other traffic control devices needed to safely and clearly direct traffic through or around the work zone. Traffic control shall be done in accordance with the INDOT Work Zone Traffic Control Guidelines and the Indiana Manual on Uniform Traffic Control Devices (IMUTCD). Disruption to traffic shall be kept to a minimum. www.workzonesafety.in.gov
If there is any lane restriction or closure for more than a half an hour planned, you must notify your INDOT permit investigator 21 days in advance of the work to start.

The permittee for himself, his heirs, personal representatives, successors in interest, and assigns, as part of the consideration hereof, does hereby covenant and agree that in the event facilities are constructed, maintained, or otherwise operated on the said property described in this permit for a purpose for which a Department of Transportation program or activity is extended or for another purpose involving the provision of similar services or benefits, the permittee shall maintain and operate such facilities and services in compliance with all other requirements imposed pursuant to Title 49, code of Federal Regulations, Department of Transportation, Subtitle A, Office of the Secretary, Part 21, Nondiscrimination in Federally-assisted programs of the Department of Transportation – Effectuation of Title VI of the Civil Rights Act of 1964, and as said regulations may be amended. That in the event of breach of any of the above nondiscrimination covenants, Indiana Department of Transportation shall, have the right to terminate the permit and to re-enter and repossess said land and the facilities thereon, then hold the same as if said permit had never been made or issued.

Application number
T0000200571

Road number
SR 53

County number
Lake

Expiration date
9/19/2026

Issue date
9/19/2025

Permit number
E25LM10116



INDIANA DEPARTMENT OF TRANSPORTATION

100 North Senate Avenue
Room N758
Indianapolis, Indiana 46204

PHONE: (855) 463-6848

Eric Holcomb, Governor
Michael Smith, Commissioner

GENERAL PROVISIONS MISCELLANEOUS PERMITS

PRE-WORK REQUIREMENTS

1. In accordance with the notice requirements of Indiana Code 4-21.5, any objection to the conditions and provisions of an approved permit must be submitted in writing to INDOT with fifteen (15) days from the issue date.
2. Permittee shall notify INDOT five (5) business days preceding the beginning of any work activity.
3. Permittee shall neither disturb nor manipulate any existing traffic control devices. Permittee shall contact the Signal Technician at the appropriate District Office listed below at least five (5) days prior to doing work in the right-of-way that will affect any existing traffic control devices. Any damages to a traffic control device shall be repaired immediately at Permittee's expense by an INDOT prequalified contractor.
4. All existing utilities and other underground facilities such as traffic signal appurtenances must be located prior to commencing excavation.
5. Approval of the permit application shall be subject to Permittee obtaining all necessary authorizations from federal, state, and local authorities and complying with all applicable laws, rules, and regulations. The issuance of the permit shall in no way imply INDOT approval of or be intended to influence any action pending before a federal, state, or local board, commission, or agency. Failure to comply may result in revocation of the permit.
6. All work on highway right-of-way authorized by this permit must be completed within one (1) year after the permit is issued. Once construction authorized by the permit is initiated it must be completed within one-hundred eighty (180) days, unless otherwise expressly approved as a special condition.
7. The permit is valid through the stated expiration date. If work is not completed within the allotted time, the permit is automatically cancelled unless an extension is requested prior to the expiration date and said request is approved by INDOT. If a permit is cancelled, a new application must be submitted and approved before the proposed work can be accomplished.
8. INDOT makes no representations, warranties, or assurances regarding the validity or enforceability of any public right-of-way or other land rights ascribed to INDOT. It is the permittee's responsibility to perform any and all research and investigation necessary to evaluate public right-of-way to be used by way of this permit, if applicable.



INDIANA DEPARTMENT OF TRANSPORTATION

100 North Senate Avenue
Room N758
Indianapolis, Indiana 46204

PHONE: (855) 463-6848

Eric Holcomb, Governor
Michael Smith, Commissioner

TRAFFIC AND SAFETY

9. Permittee shall erect and maintain all necessary signs, barricades, detour signs, and warning devices required to safely direct traffic over or around the part of the highway where permitted operations are to be done so long as the work does not interfere with traffic, in accordance with section “VI” of the Indiana Manual of Uniform Traffic Control Devices.
10. Permittee shall adhere to the Maintenance of Traffic plan during construction if such activities require lane closures or traffic restrictions.
11. Permittee shall adhere to traffic control measures found in the most recent version of the Indiana Manual on Uniform Traffic Control Devices, as currently adopted by INDOT.
12. Permittee shall construct and maintain the Site pursuant to INDOT’s Standard Specifications to protect the highway’s safety, structural integrity, and appearance. Permittee shall not cause unreasonable interference with highway use.
13. The permitted operation shall be allowed on state-owned or controlled right-of-way only between sunrise and sunset unless specifically allowed by an additional special provision to this permit. In accordance with 105 I.A.C. 7-1-26, no work may be performed at times associated with the following holidays:
 - a. New Year’s Day
 - b. Memorial Day
 - c. Independence Day
 - d. Labor Day
 - e. Thanksgiving
 - f. Christmas

during the period beginning at 12:00 noon on the last weekday preceding the holiday and continuing until sunrise on the first weekday following the holiday.

QUALITY OF WORK

14. Permittee shall follow all guidelines, policies, and procedures in the Permit Manual.
15. Work shall be performed in accordance with the attached plans.
16. Permittee shall cause all work to be performed in a good and workmanlike manner.
17. All work described in the permit shall be subject to the inspection of INDOT and Permittee shall adjust or stop operations upon direction of any police officer or INDOT employee.
18. Permittee shall have the permit, complete with drawings and special provisions, in their possession during work operations and will show said permit, on demand, to any police officer or authorized INDOT employee.
19. The permitted operations shall not interfere with any existing structure on INDOT right-of-way without specific permission, in writing, from INDOT. If any buildings, railings, traffic control devices, or other structures are damaged, said cost of the removal and or damage shall be borne by Permittee.



INDIANA DEPARTMENT OF TRANSPORTATION

100 North Senate Avenue
Room N758
Indianapolis, Indiana 46204

PHONE: (855) 463-6848

Eric Holcomb, Governor
Michael Smith, Commissioner

20. Permittee shall at all times protect the pavement surface and right-of-way from damage due to the use of heavy equipment, and shall provide and use approved pads, planks, or dirt cushion to protect against other damage. Immediately before any section of the highway is to be placed back in used for traffic, Permittee shall remove all excess dirt and sweep pavement surface to eliminate unnecessary dust hazards.
21. Drainage on shoulders, ditches, or otherwise on the right-of-way shall not be obstructed. Appropriate control measures shall be followed to protect the right-of-way from erosion.
22. If at any time in the future, this installation should become damaged due to normal maintenance or roadwork by INDOT, Permittee shall be responsible for all repairs and cost of repairs that may arise from such damage.
23. Work within the sodded areas of the right-of-way shall not be performed during wet periods. Any damage to the sodded areas of the right-of-way must be repaired and properly seeded.
24. No trees or plants on the right-of-way of any interstate, federal highway, or state highway shall be trimmed or removed without written permission from INDOT.
25. Permittee itself and its heirs, personal representatives, successors in interest, and assigns, as part of the consideration hereof, does hereby covenant and agree that in the event facilities are constructed, maintained, or otherwise operated on the property described in this permit for a purpose for which a Department of Transportation program or activity is extended or for another purpose involving the provisions of similar services or benefits, Permittee shall maintain and operate such facilities and services in compliance with all other requirements imposed pursuant to Title 49, Code of Federal Regulations, Department of Transportation, Subtitle A, office of the Secretary, Part 21 Nondiscrimination in Federally-assisted programs of the Department of Transportation – Effectuation of Title VI of the Civil Rights Act of 1964, Title 23 Code of Federal Regulations, Part 200, Title VI Program and Related Statutes – Implementation and Review Procedures, and as said Regulations may be amended. That in the event of breach of any of the above nondiscrimination covenants, the Indiana Department of Transportation shall have the right to terminate the permit and to re-enter and repossess said land and the facilities thereon, and hold the same as if said permit had never been made or issued.

Permittee itself and its heirs, personal representatives, successors in interest, and assigns, as part of the consideration hereof, does hereby covenant and agree that (1) no person on the ground of race, color, national origin, sex, sexual orientation, gender identity, age, disability, religion, income status, or limited English proficiency shall be excluded from participation in, denied benefits of, or otherwise be subjected to discrimination in the use of said facilities, (2) that in the construction of any improvements on, over or under such land and the furnishing of services thereon, no person on the ground of race, color, national origin, sex, sexual orientation, gender identity, age, disability, religion, income status, or limited English proficiency shall be excluded from participation in, denied benefits of, or otherwise be subjected to discrimination, (3) that Permittee shall use the premises in compliance with all other requirements imposed by or pursuant to Title 49, Code of Federal Regulations, Department of Transportation, Subtitle A, office of the Secretary, Part 21 Nondiscrimination in Federally-assisted programs of the Department of Transportation – Effectuation of Title VI of the Civil Rights Act of 1964, Title 23 Code of Federal Regulations, Part 200, Title VI Program and Related Statutes – Implementation and Review Procedures, and as said Regulations may be amended. That in the event of breach of any of the above nondiscrimination covenants, the Indiana Department of Transportation shall have the right to terminate the permit and to re-enter and repossess said land and the facilities thereon and hold the same as if said permit had never been made or issued.



INDIANA DEPARTMENT OF TRANSPORTATION

100 North Senate Avenue
Room N758
Indianapolis, Indiana 46204

PHONE: (855) 463-6848

Eric Holcomb, Governor
Michael Smith, Commissioner

POST-WORK REQUIREMENTS

26. Permittee shall notify INDOT that the work is complete, and this notice is to be provided within seven (7) calendar days from completion of all work on this Permit.
27. Within seven (7) days after a new installation or repair to an existing installation is performed, all excess dirt or obstructions caused by the installation or repair must be removed and the area must be restored to a condition by Permittee so as not to interfere with mowing the highway right-of-way.

INDEMNIFICATION

28. Permittee agrees to indemnify, defend, save, and hold harmless the Indiana Department of Transportation (INDOT), the State of Indiana, and their officers, employees, agents, representatives, successors, and assigns from all claims (including costs and expenses of defending against such claims, including attorney fees) arising from any act or omission of Permittee or Permittee's agents, employees, or contractors relating to this Permit or breach of any provision of this Permit by Permittee or Permittee's agents, employees, or contractors. Indemnification shall not be limited by reason of any insurance coverage. Neither INDOT nor the State of Indiana shall provide indemnification to Permittee. Permittee understands and agrees that the obligations contained in this special provision shall survive expiration or termination of the Permit.

REVOCAION OF PERMIT

29. Failure to comply with the Permit Manual and the General Provisions of the Permit shall result in revocation of the Permit.

INDIANA DEPARTMENT OF TRANSPORTATION DISTRICT OFFICES

Crawfordsville District

41 W 300 North
Crawfordsville, IN 47933

Greenfield District

32 S Broadway
Greenfield, IN 46140

Seymour District

185 Agrico Lane
Seymour, IN 47274

Fort Wayne District

5333 Hatfield Road
Fort Wayne, IN 46808

LaPorte District

315 E Boyd Blvd
LaPorte, IN 46350

Vincennes District

3650 US 41 South
Vincennes, IN 47591

INDOT Transportation Services Phone Number: (855) 463-6848

NORTHWEST INDIANA
REGIONAL DEVELOPMENT AUTHORITY

SPECIAL PROVISION
FOR
**MAINTAINING TRAFFIC –
PARCEL NUMBER 45-08-04-282-001**

1 of 6

a. Description. This special provision consists of requirements and restrictions to maintain traffic on Adams Street and W. 4th Avenue (WB US-20), in the city of Gary, Indiana.

b. General. Maintain traffic throughout the project in accordance with the standard drawings, maintenance of traffic plans, and specifications in the contract as described for this site.

c. Construction Influence Area (CIA). The CIA includes the right-of-way of the following roadways, within the approximate limits described below:

1. On W. 5th Avenue (EB US-20), from Adams Street to SR 53 (Broadway).
2. On Adams Street, from W. 6th Avenue to W. 4th Avenue (WB US-20).
3. On 4th Avenue (WB US-20), from Jefferson Street to Stadium Plaza.
4. On Broadway (SR 53), from W. 6th Avenue to W. 4th Avenue (WB US-20).
5. On Washington Street, from W. 5th Avenue (EB US-20), and Broadway (SR 53), to 4th Avenue (WB US-20).
6. On W. 6th Avenue from Adams Street to Broadway (SR 53).

d. Traffic Restrictions. Maintain traffic in accordance with the standard drawings, Maintenance of Traffic Plans, and specifications contained herein, except as noted below. Changes or adjustments to the maintaining traffic standard drawings and plans may be necessary to fit field conditions, subject to approval of the Engineer or as determined by the Engineer.

1. Utilize the following Maintaining Traffic Standard and Other Drawings:

- A. E 601-IAED-01
- B. E 801-TCLG-01
- C. E 801-TCCB-01 - 06
- D. E 801-TCDV-01 – 08
- E. E 801-TCSC-06
- F. E801-TCLC-12
- G. E801-TCDT-02 – 04
- H. E801-TPAR-02 – 06, 10 – 11
- I. Maintenance of Traffic Plans – 401 Adams Street, Gary Commercial Blight Elimination

2. Do not work, deliver material, or close lanes during the holiday periods shown in Table 1.

Table 1: 2026-2027 Holiday Periods

Holiday	Date
Memorial Day	Monday, May 25 th
Independence Day	Saturday, July 4 th
Labor Day	Monday, September 7 th
Columbus Day	Monday, October 12 th
Veterans Day	Wednesday, November 11 th
Thanksgiving Day	Thurs. – Fri., November 26 th -27 th
Christmas Day	Friday, December 25 th
New Year’s Day	Friday, January 1 st
Martin Luther King Jr. Day	Monday, January 18 th
Lincoln’s Birthday	Friday, February 12 th
Washington’s Birthday	Monday, February 15 th

3. Close the eastern half of Adams Street while maintaining northbound and southbound traffic on the western half of Adams Street from 5th Avenue to 4th Avenue during Phase 1 demolition and site restoration activities.

4. A complete nightly closure of westbound 4th Avenue from Broadway to Adams Street is permitted during Phase 1 demolition and site restoration activities. The closure is permitted daily between the hours of 7:00 P.M. and 7:00 A.M., to expedite the removal of the pedestrian sky bridge. Place the closure prior to performing demolition work on the bridge. All traffic control placement for the nightly closure can commence at 7:00 P.M. Westbound 4th Avenue shall be open to traffic by 7:00 A.M., with temporary traffic control devices pulled to the back of curb. Always Maintain public access to the Adam Benjamin JR Metro Center from Adams Street. All public transit and Greyhound bus traffic shall be temporarily rerouted south on Broadway (SR 53), west on W. 6th Avenue, and north on Adams Street.

5. Place a portable changeable message sign (PCMS) on 4th Avenue in advance of planned closure(s). Install the PCMS in a clear and highly visible location between Massachusetts Street and Connecticut Street, and make the device operational a minimum of 7 calendar days prior to implementing any nightly closure(s) to start the work. The PCMS sign shall be in place to warn traffic of the upcoming change in traffic patterns and nightly closure period(s).

Do not leave PCMS’s with a blank screen with the clear zone of any roadway at any time. Remove the PCMS or display flashing dots in each corner of the screen when there is no message to display. Update the PCMS messages at the end of each work period to reflect the current traffic pattern.

A. Display the following two messages 7 days prior to work.

WB 4th AVE. TO
CLOSE NIGHTLY
7PM – 7AM

BEGINS
DAY
DATE

B. Display the following two messages during work.

WB 4th Ave.
ROADWORK
AHEAD

FOLLOW
DETOUR

C. A closure of the westbound inside lane of 4th Avenue from Broadway Avenue to Adams Street is permitted during Phase 2 demolition and site restoration activities. Maintain westbound traffic in the middle and outside lanes of 4th Avenue.

D. A complete closure of Washington Street between W. 5th Avenue, W. 4th Avenue, and Broadway is permitted during Phase 1 and 2 demolition and site restoration activities.

E. Public parking along Broadway between W. 5th Avenue and W. 4th Avenue shall be maintained at all times.

F. The Contractor shall not close or restrict access to the Lake County Supreme Court approach and surface lot from Broadway.

G. Maintain access to all driveways and side streets, unless otherwise identified on the plans.

e. Traffic General.

1. For any lane open to traffic, provide a minimum lane width of 11 feet with 2 feet of shy distance on both sides unless identified otherwise on plans.
2. Place lane closures only in areas as shown on the plans unless otherwise directed by the Engineer.
3. Prior to shifting traffic or opening any lanes, remove, by sweeping all accumulated debris that has collected within the closure area.
4. A speed reduction will not be used.
5. Protect the work area at the end of each day. Close all open access points on the project to traffic with Type III barricades or other devices approved by the Engineer.
6. The Engineer has completed the INDOT permit application for maintenance of traffic activities associated with this project, that includes the placement of the traffic control devices within INDOT Right-of-Way. The Contractor is required to install and maintain any necessary traffic control devices required to safely and clearly direct traffic through or around the work zone. The Contractor shall comply with all permit requirements and INDOT General Provisions. No additional payment will be made for complying with the

permit or the General Provisions requirements, for work in INDOT right-of-way, and for the coordination of all associated work.

7. The Contractor is responsible for notifying emergency services, transit agencies, law enforcement and schools prior to any lane closures, detours or major traffic shifts. In addition, the Contractor will be responsible for working with and complying with any coordination that is necessary with emergency services, transit agencies, law enforcement and schools.

Project notification and coordination will include community service outreach. Notify the following local community services a minimum of two weeks (14 calendar days) prior to the start of any site work, and three weeks (21 calendar days) for site work near or within any railroad right-of-way. The project information will be distributed to the Department of Revenue to assist in the reroute of OS/OW vehicles. All roadway restrictions are to be reported, prior to the start of site work.

Community Service Notification

Lake County 911 Dispatch (Fire, Police, and EMS)	(219) 660-0000	N/A
Department of Revenue	(219) 851-1251	aparkhouse@indot.in.gov cbajek@indot.in.gov lahuffman@indot.in.gov
Gary Public Schools	(219) 881-5466	N/A
U.S. Postal Service	(219) 886-8000	N/A
INDOT	(855) 463-6848	N/A
Gary Public Works	(219) 881-1310	N/A
Gary Public Transportation Corp.	(219) 884-6100	N/A

All costs associated with the coordination efforts outlined herein will be considered included in the pay item “_Building and Property Improvements Removal, Commercial, Parcel 45-08-04-282-001.”

8. Remove all temporary traffic control devices from INDOT and the city of Gary right-of-way during any shut down periods unless needed for directly maintaining or channelizing traffic. No additional payment will be made for the removal and/or redeployment of these devices.

9. Once work is initiated that includes any lane restrictions, that work must be continued daily until completed. A lack of work activity for more than 3 calendar days will require the removal of lane closures at no expense to the contract. Redeployment of all required traffic control for lane closures shall be completed at the Contractor’s expense.

f. Detours.

1. Do not detour traffic until all proposed contract work on the detour route is completed, inspected, and approved by the Engineer.
2. Signs should be placed within the road right-of-way when remediation and demolition work is taking place on the structure.

g. Pedestrian or Non-Motorized Facilities.

1. Maintain all facilities in accordance with *The Americans with Disability Act* (ADA) requirements and the Public Right-of-Way Accessibility Guidelines (PROWAG). Provide facilities equivalent to or better than the route a person would have encountered prior to construction activities.
2. Detour W. 4th Avenue pedestrian traffic south on Broadway and Adams Street during Phase 1 demolition activities. Maintain pedestrian access on the west sidewalk of Adams Street between W. 4th Avenue and W. 5th Avenue. Maintain pedestrian access on the south sidewalk of W. 5th Avenue between Adams Street and Broadway during site demolition activities.
3. Maintain pedestrian access on the north sidewalk of W. 4th Avenue between Adams Street and Broadway, and on the west sidewalk of Adams Street between W. 4th Avenue and W. 5th Avenue, during Phase 2 demolition and site restoration activities.
4. Close and detour any sidewalk ramps and crosswalk areas to pedestrian traffic that are impacted by the work as shown in the plans.
5. Keep sidewalk areas clear of any equipment or materials at all times as the sidewalks outside of closure areas are open to pedestrian traffic.

h. Traffic Control Devices. Ensure all traffic control devices are in accordance with the INDOT 2026 Standard Specifications and must meet the “acceptable” criteria as defined in the ATSSA publication entitled “*Quality Guidelines for Temporary Traffic Control Devices and Features*” at the time of initial deployment.

1. During non-working periods, place applicable advance signs face down and remove channelizing devices from the public right-of-way, as directed by the Engineer, at no additional cost to the contract.
2. Notify the Engineer 24 hours in advance of when traffic control devices are being delivered to the project site, to allow for initial inspection of devices to take place.
3. Remove from the project site all traffic control devices (including detour signing) no longer needed for site remediation or demolition within 14 calendar days of reopening a lane/roadway.
4. Channelizing Devices.
 - A. Ensure all devices have sufficient ballast to prevent moving or tipping. If moving or tipping occurs, place additional ballast, as directed by the Engineer, at no additional cost to the contract. No more than two ballasts are allowed on each channelizing device.

B. Do not use caution tape on this project.

C. Space channelizing devices at 10 feet for tapers and 25 feet for tangents or tighter as directed by the Engineer.

i. Temporary Barrier (TB) and Impact Attenuators.

1. Place temporary concrete barrier with the flow of the traffic. Place the end treatment first when deploying the TB and remove the end treatment last when removing the TB.

2. Do not place TB on slopes that are steeper than 1:10.

3. Place TB in accordance with the Standard Drawing Series E801-TCCB. At no time will traffic be exposed to the blunt end of TB or permanent barrier wall without proper attenuation.

j. Measurement and Payment. Payment for all maintenance of traffic devices and operations, as defined herein, is included in the pay items “_Building and Property Improvements Removal, Commercial, Parcel 45-08-04-282-001.” No additional payment will be made for the following activities:

1. Transporting traffic control items around the site or within the CIA.

2. Providing sufficient vehicles and staff to make changes as needed on site during work.

3. Providing sufficient vehicles and staff to remove closures from the roadway.

4. Providing additional traffic control devices required to expedite contract items of work for the convenience of the Contractor.

NORTHWEST INDIANA REGIONAL DEVELOPMENT AUTHORITY

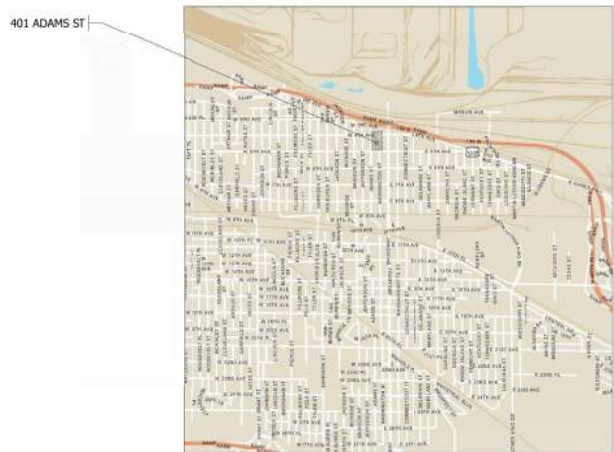
MAINTENANCE OF TRAFFIC PLANS GARY COMMERCIAL BLIGHT ELIMINATION

401 Adams Street 45-08-04-282-01



LATITUDE: 41.60243 LONGITUDE: -87.33685

401 Adams Street
Section 3, T-36-N, R-8-W, Gary, Lake County, Indiana



INDIANA DEPARTMENT OF TRANSPORTATION
STANDARD SPECIFICATIONS DATED 2024
TO BE USED WITH THESE PLANS

PLANS PREPARED BY: <u>INFRASTRUCTURE ENGINEERING, INC.</u>	(317) 243-9800 PHONE NUMBER
CERTIFIED BY: _____	DATE _____
APPROVED FOR LETTING: _____	DATE _____

	DESIGNATION
SURVEY BOOK: _____	SHEETS of _____
CONTRACT: _____	PROJECT

STANDARD PLANS

TRAFFIC CONTROL LEGEND AND GENERAL NOTES	E 801-TCLG-01
TEMPORARY CONCRETE BARRIER INDEX SHEET	E 801-TCCB-01
TEMPORARY CONCRETE BARRIER DIMENSIONS AND FLARE RATES	E 801-TCCB-02
TEMPORARY CONCRETE BARRIER DETAILS	E 801-TCCB-03
TEMPORARY CONCRETE BARRIER DOUBLE TAPER END SECTION	E 801-TCCB-04
ANCHORED TEMPORARY CONCRETE BARRIER, DROP-IN ANHCOB	E 801-TCCB-05
ANCHORED TEMPORARY CONCRETE BARRIER FERRULE LOOP INSERT	E 801-TCCB-06
TRAFFIC CONTROL DEVICES INDEX AND GENERAL NOTES	E 801-TCDV-01
CHANNELIZING DEVICES	E 801-TCDV-02
MERGE OR SHIFT TAPER	E 801-TCDV-03
CHANNELIZING DEVICE USAGE	E 801-TCDV-04
TYPE III BARRICADE	E 801-TCDV-05
TYPICAL CONSTRUCTION SIGN MOUNTING	E 801-TCDV-06
TYPE III BARRICADE APPLICATION FOR ROAD CLOSURE FOR THRU TRAFFIC	E 801-TCDV-07
TYPE III BARRICADE APPLICATION FOR ROAD CLOSURE TO ALL TRAFFIC	E 801-TCDV-08
SHOULDER CLOSURE ON TWO LANE HIGHWAY WITH LOCAL ACCESS	E 801-TCSC-06
SHORT OR INTERMEDIATE TERM STATIONARY LANE CLOSURE ON THREE LANE ROAD	E 801-TCLC-12
URBAN DETOUR	E 801-TCDT-02
URBAN DETOUR WITH ONE-WAY STREETS	E 801-TCDT-03
URBAN ROUTE MARKER ASSEMBLIES	E 801-TCDT-04
PEDESTRIAN DETOUR CORNER CLOSURE	E 801-TPAR-02
PEDESTRIAN DETOUR CROSSWALK CLOSURE	E 801-TPAR-03
PEDESTRIAN DETOUR FULL BLOCK CLOSURE	E 801-TPAR-04
PEDESTRIAN DETOUR MULTI-BLOCK CLOSURE	E 801-TPAR-05
PEDESTRIAN DETOUR MIDBLOCK CLOSURE	E 801-TPAR-06
TEMPORARY CURB RAMPS	E 801-TPAR-10
TEMPORARY PEDESTRIAN CHANNELIZER	E 801-TPAR-11
IMPACT ATTENUATOR ED LAYOUT	E 801-IAED-01

SHEET INDEX

Name	Page #
Cover Sheet	
Project Information Sheet	1
401 Adams St. Typical Section (Adams St.)	2
401 Adams St. Typical Section (4th Ave)	3
401 Adams St. STG Sheet Phase 1	4
401 Adams St. STG Sheet Phase 2	5
401 Adams St. Misc. Detail	6
401 Adams St. Pedestrian Staging Sheet Phase 1	7
401 Adams St. Pedestrian Staging Sheet Phase 2	8
401 Adams St. Detour Routes (4th Ave)	9

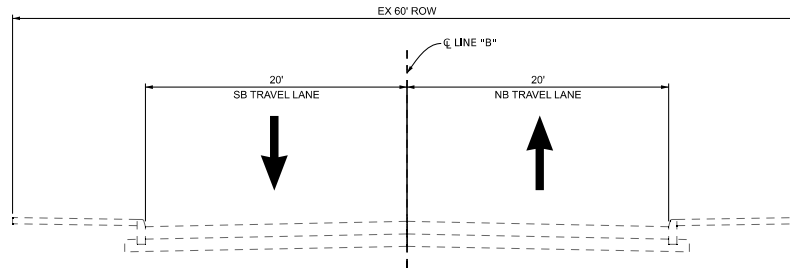


RECOMMENDED FOR APPROVAL	DESIGN ENGINEER	DATE
DESIGNED: MA	5/06/25	DRAWN: MA
CHECKED:	5/06/25	CHECKED: BR
	5/06/25	5/06/25

NORTHWEST INDIANA REGIONAL DEVELOPMENT AUTHORITY

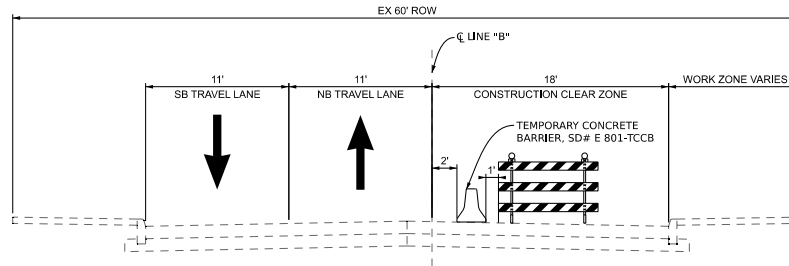
**401 ADAMS ST PROJECT INFO SHEET
GARY BLIGHT ELIMINATION PROGRAM**

HORIZONTAL SCALE	BRIDGE FILE
N/A	N/A
VERTICAL SCALE	DESIGNATION
N/A	N/A
SURVEY BOOK	SHEETS
TBD	1 of 9
CONTRACT	PROJECT
N/A	GARY INDIANA MOTOR ROUTES



EXISTING ADAMS ST NORMAL SECTION

SECTION APPLIES TO:
4TH AVENUE (WB US-20) TO 5TH AVENUE (EB US-20)



ADAMS ST MOT PHASE 1

SECTION APPLIES TO:
4TH AVENUE (WB US-20) TO 5TH AVENUE (EB US-20)

NOTES:

1. All signs, barricades, and pavement markings shall conform to the latest edition of the Indiana Manual on Uniform Traffic Control Devices for Streets and Highways, INDOT Standard Drawings, and any currently supplements thereto.
2. All signals are to be reviewed in each phase and temporary modifications shall be coordinated by the contractor. Payment for temporary modifications and restoration of all modifications shall be included in the cost of maintaining traffic.

LEGEND

- Ⓢ Temporary Pavement Marking, Removable, 6 IN., Dotted, (White)
- Ⓢ Temporary Pavement Marking, Removable, 6 IN., (White)
- Ⓢ Temporary Pavement Marking, Removable, 6 IN., (Yellow)
- Ⓢ Temporary Pavement Marking, Removable, 6 IN., Dotted, (White)
- ▨ Construction Clear Zone
- MOT Barrels with 50' spacing
- Traffic Flow Arrow
- Type III Barricade
- ▬ Temporary Concrete Jersey Barrier
- ⊠ Building Demolition

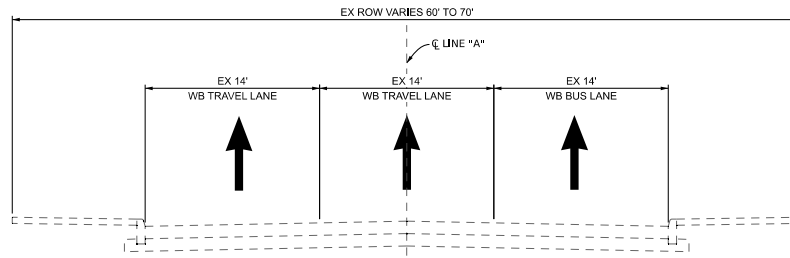


RECOMMENDED FOR APPROVAL	DESIGN ENGINEER	DATE
DESIGNED: MA	5/08/25	DRAWN: MA
CHECKED:	CHECKED: BR	5/08/25

NORTHWEST INDIANA REGIONAL DEVELOPMENT AUTHORITY

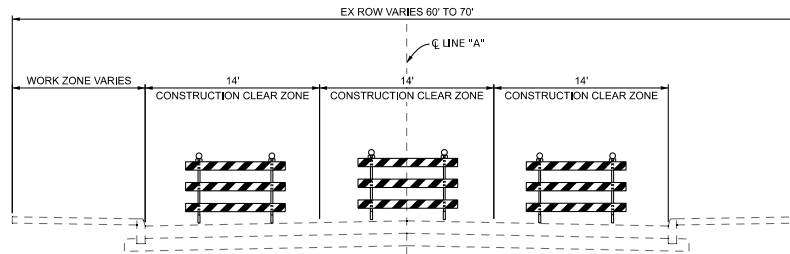
**MOT 401 ADAMS ST TYPICALS
GARY BLIGHT ELIMINATION PROGRAM**

HORIZONTAL SCALE	BRIDGE FILE
N/A	N/A
VERTICAL SCALE	DESIGNATION
N/A	N/A
SURVEY BOOK	SHEETS
TBD	2 of 9
CONTRACT	PROJECT
N/A	GARY INDIANA MOT ROUTES



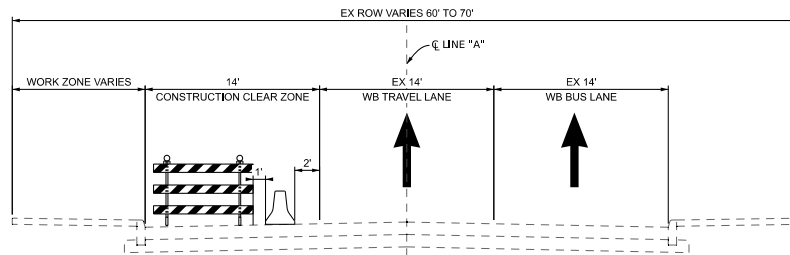
EXISTING 4TH AVENUE (WB US-20) NORMAL SECTION

SECTION APPLIES TO:
BROADWAY AVE (SR-53) TO ADAMS ST



4TH AVENUE (WB US-20) MOT PHASE 1

SECTION APPLIES TO:
BROADWAY AVE (SR-53) TO ADAMS ST



4TH AVENUE (WB US-20) MOT PHASE 2

SECTION APPLIES TO:
BROADWAY AVE (SR-53) TO ADAMS ST

NOTES:

1. All signs, barricades, and pavement markings shall conform to the latest edition of the Indiana Manual on Uniform Traffic Control Devices for Streets and Highways, INDOT Standard Drawings, and any currently supplements thereto.
2. All signals are to be reviewed in each phase and temporary modifications shall be coordinated by the contractor. Payment for temporary modifications and restoration of all modifications shall be included in the cost of maintaining traffic.

LEGEND	
	Temporary Pavement Marking, Removable, 6 in., Dotted, (White)
	Temporary Pavement Marking, Removable, 6 in., (Yellow)
	Construction Clear Zone
	MOT Barrels with 50' spacing
	Traffic Flow Arrow
	Type III Barricade
	Temporary Concrete Jersey Barrier
	Building Demolition

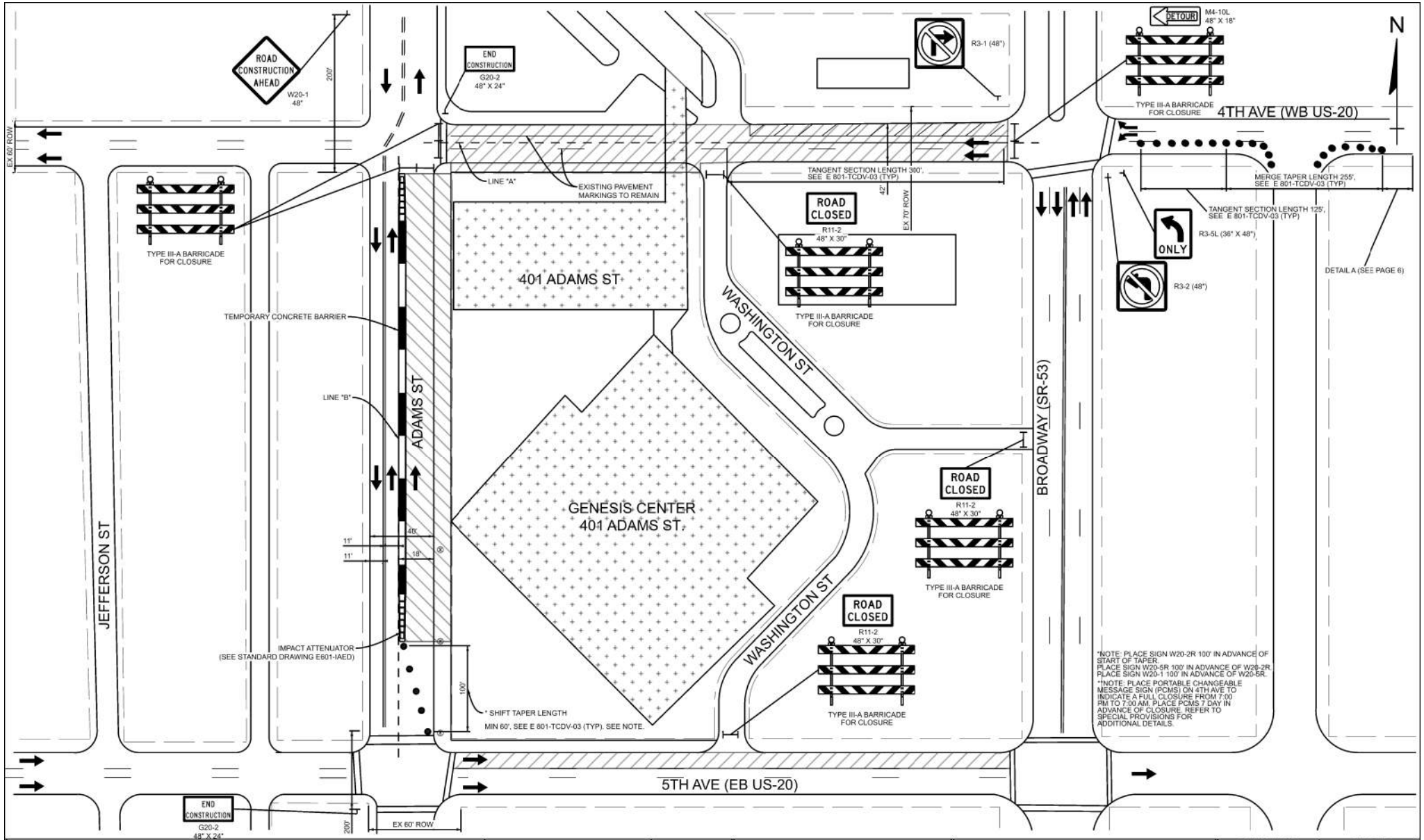
INFRASTRUCTURE ENGINEERING
 303 N. Grand Blvd. Suite 533 | South Bend, IN 46702
 PH: 317.336.1111 | FAX: 317.336.1112 | WWW.INFRASTRUCTUREENGINEERING.COM

RECOMMENDED FOR APPROVAL	DESIGN ENGINEER	DATE
DESIGNED: MA	5/06/25	DRAWN: MA
CHECKED: BR	5/06/25	

NORTHWEST INDIANA REGIONAL DEVELOPMENT AUTHORITY

MOT 401 ADAMS ST TYPICALS GARY BLIGHT ELIMINATION PROGRAM

HORIZONTAL SCALE	BRIDGE FILE
N/A	N/A
VERTICAL SCALE	DESIGNATION
N/A	N/A
SURVEY BOOK	SHEETS
TBD	3 of 9
CONTRACT	PROJECT
N/A	GARY INDIANA MOT ROUTES



*NOTE: PLACE SIGN W20-2R 100' IN ADVANCE OF START OF TAPER
 PLACE SIGN W20-SR 100' IN ADVANCE OF W26-2R
 PLACE SIGN W20-1 100' IN ADVANCE OF W20-SR
 *NOTE: PLACE PORTABLE CHANGEABLE MESSAGE SIGN (PCMS) ON 4TH AVE TO INDICATE A FULL CLOSURE FROM 7:00 PM TO 7:00 AM. PLACE PCMS 7 DAY IN ADVANCE OF CLOSURE. REFER TO SPECIAL PROVISIONS FOR ADDITIONAL DETAILS.

LEGEND	
	Temporary Pavement Marking, Removable, 6 IN., Dotted, (White)
	Temporary Pavement Marking, Removable, 6 IN. (White)
	Temporary Pavement Marking, Removable, 6 IN. (Yellow)
	Construction Clear Zone
	MGT Barrels with 50' spacing
	Traffic Flow Arrow
	Type III Barricade
	Temporary Concrete Jersey Barrier
	Building Demolition

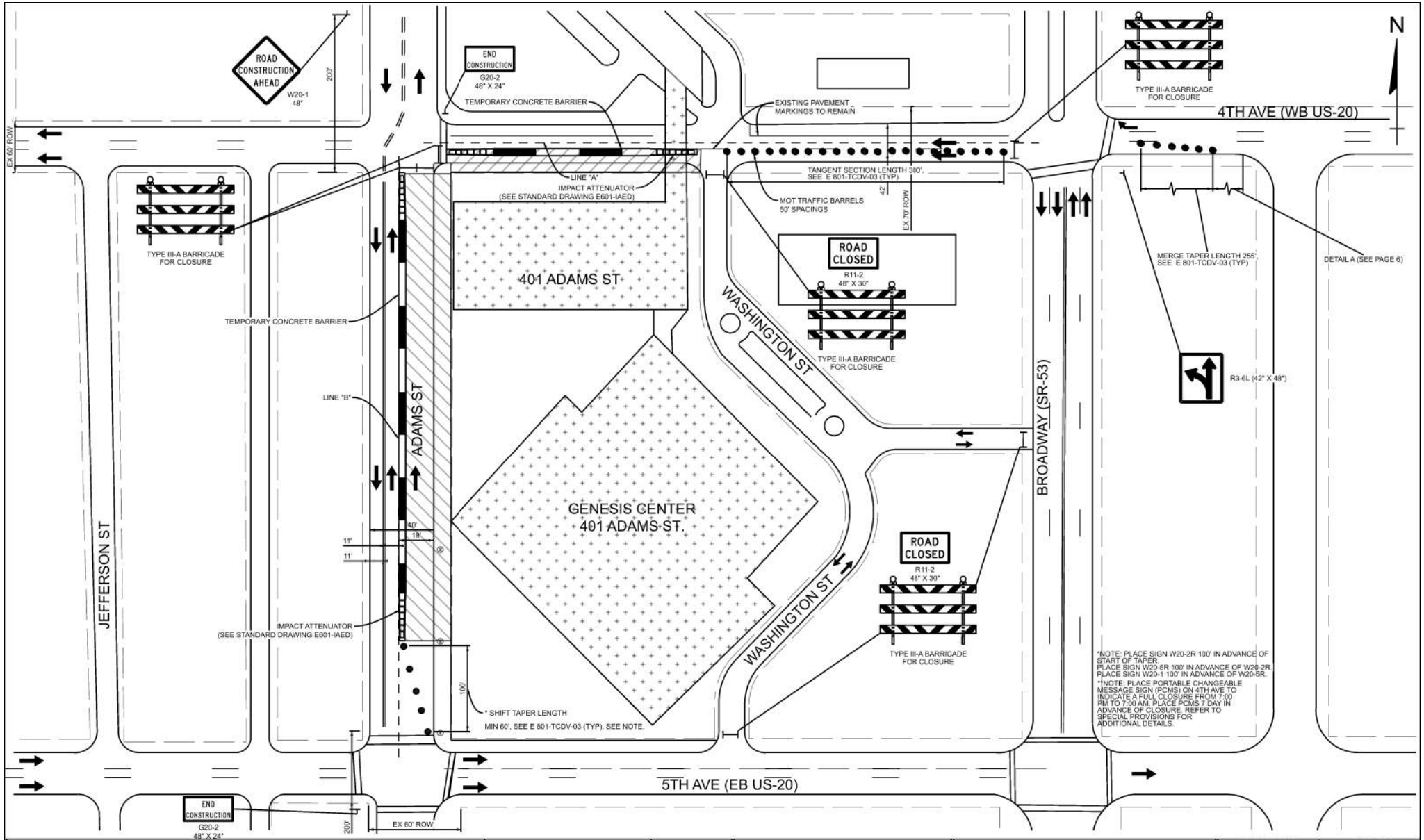
INFRASTRUCTURE ENGINEERING INC. LLC
 333 N. Grand Blvd. Suite 518 | Detroit, MI 48202
 (313) 963-1111 | www.infrastructureeng.com

RECOMMENDED FOR APPROVAL	DESIGN ENGINEER	DATE
DESIGNED BY	DRAWN	
CHECKED	CHECKED	

NORTHWEST INDIANA REGIONAL DEVELOPMENT AUTHORITY

**MOT 401 ADAMS ST, STAGING SHEET PHASE 1
 GARY BLIGHT ELIMINATION PROGRAM**

HORIZONTAL SCALE	BRIDGE FILE
N/A	N/A
VERTICAL SCALE	DESIGNATION
N/A	N/A
SURVEY BOOK	SHEETS
TBD	4 2 9
CONTRACT	PROJECT
N/A	GARY INDIANA HOT ROUTES



LEGEND	
	Temporary Pavement Marking, Removable, 6 IN. (White)
	Temporary Pavement Marking, Removable, 6 IN. (Yellow)
	Construction Clear Zone
	MOT Barrels with 50' spacing
	Traffic Flow Arrow
	Type III Barricade
	Temporary Concrete Jersey Barrier
	Building Demolition

INFRASTRUCTURE ENGINEERING
 333 N. Grand Blvd. Suite 538 | Detroit, MI 48202
 (313) 224-1111 | www.infraeng.com

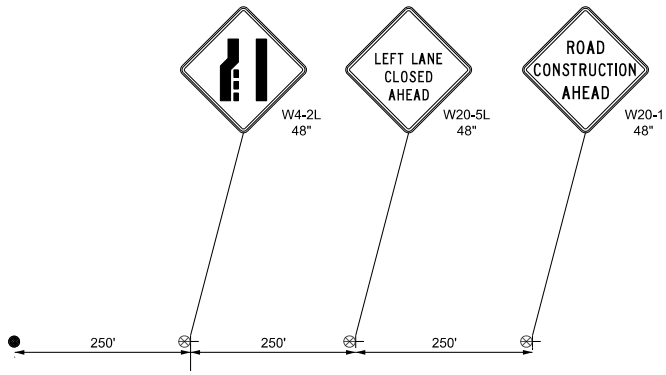
RECOMMENDED FOR APPROVAL	DESIGN ENGINEER	DATE
DESIGNED BY	DRAWN	
CHECKED	CHECKED	

NORTHWEST INDIANA REGIONAL DEVELOPMENT AUTHORITY

MOT 401 ADAMS ST, STAGING SHEET PHASE 2
 GARY BLIGHT ELIMINATION PROGRAM

HORIZONTAL SCALE	BRIDGE FILE
N/A	N/A
VERTICAL SCALE	DESIGNATION
N/A	N/A
SURVEY BOOK	SHEETS
TBD	5 2 9
CONTRACT	PROJECT
N/A	GARY INDIANA MOT ROUTES

*NOTE: PLACE SIGN W20-2R 100' IN ADVANCE OF START OF TAPER
 *NOTE: PLACE SIGN W20-SR 100' IN ADVANCE OF W20-2R
 *NOTE: PLACE SIGN W20-1 100' IN ADVANCE OF W20-SR
 *NOTE: PLACE PORTABLE CHANGEABLE MESSAGE SIGN (PCMS) ON 4TH AVE TO INDICATE A FULL CLOSURE FROM 7:00 PM TO 7:00 AM. PLACE PCMS 7 DAY IN ADVANCE OF CLOSURE. REFER TO SPECIAL PROVISIONS FOR ADDITIONAL DETAILS.



4th AVE (WB US-20) ADVANCE WARNING SIGNS DETAIL A

SECTION APPLIES TO:
4TH AVE (WB US-20)

- LEGEND**
- Ⓜ Temporary Pavement Marking, Removable, 6 IN. (White)
 - Ⓜ Temporary Pavement Marking, Removable, 6 IN. (Yellow)
 - Ⓜ Temporary Pavement Marking, Removable, 6 IN., Dotted, (White)
 - ▨ Construction Clear Zone
 - MOT Barrels with 50' spacing
 - Traffic Flow Arrow
 - Type III Barricade
 - ▬ Temporary Concrete Jersey Barrier
 - ⊠ Building Demolition

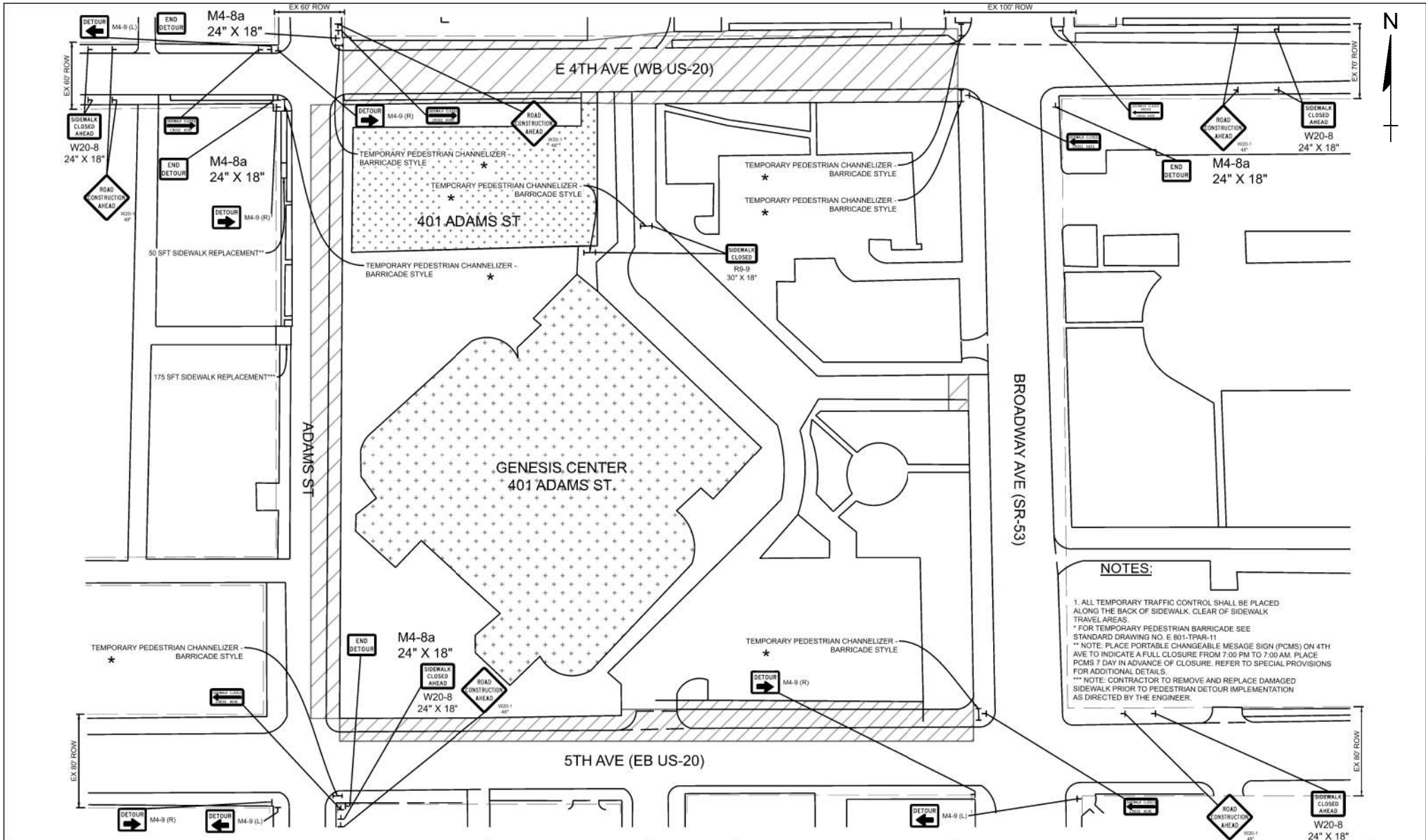


RECOMMENDED FOR APPROVAL	DESIGN ENGINEER	DATE
DESIGNED BY: ELIE	DRAWN BY: ELIE	5/08/25
CHECKED BY: BR	CHECKED BY: BR	5/08/25

NORTHWEST INDIANA REGIONAL DEVELOPMENT AUTHORITY

MOT 401 ADAMS ST MISC DETAILS
GARY BLIGHT ELIMINATION PROGRAM

HORIZONTAL SCALE	BRIDGE FILE
N/A	N/A
VERTICAL SCALE	DESIGNATION
N/A	N/A
SURVEY BOOK	SHEETS
TBD	6 of 9
CONTRACT	PROJECT
N/A	GARY INDIANA MOT ROUTES



NOTES:

1. ALL TEMPORARY TRAFFIC CONTROL SHALL BE PLACED ALONG THE BACK OF SIDEWALK. CLEAR OF SIDEWALK TRAVEL AREAS

* FOR TEMPORARY PEDESTRIAN BARRICADE SEE STANDARD DRAWING NO. E 801-TPAR-11

** NOTE: PLACE PORTABLE CHANGEABLE MESSAGE SIGN (PCMS) ON 4TH AVE TO INDICATE A FULL CLOSURE FROM 7:00 PM TO 7:00 AM. PLACE PCMS 7 DAY IN ADVANCE OF CLOSURE. REFER TO SPECIAL PROVISIONS FOR ADDITIONAL DETAILS.

*** NOTE: CONTRACTOR TO REMOVE AND REPLACE DAMAGED SIDEWALK PRIOR TO PEDESTRIAN DETOUR IMPLEMENTATION AS DIRECTED BY THE ENGINEER.

LEGEND

	Temporary Pavement Marking, Removable, 6 IN. (White)
	Temporary Pavement Marking, Removable, 6 IN. (Yellow)
	Construction Clear Zone
	Traffic Flow Arrow
	Temporary Concrete Jersey Barrier
	MOT Barrels with 50' spacing
	Building Demolition
	Type III Barricade

INFRASTRUCTURE ENGINEERING | INDIANAPOLIS, IN

303 N. Capitol Circle, Suite 1500 | Indianapolis, IN 46202
 317.576.0000 | 317.576.0001 | www.infrastructureeng.com

RECORDED FOR APPROVAL _____

DESIGNED BY: _____ DRAWN: _____

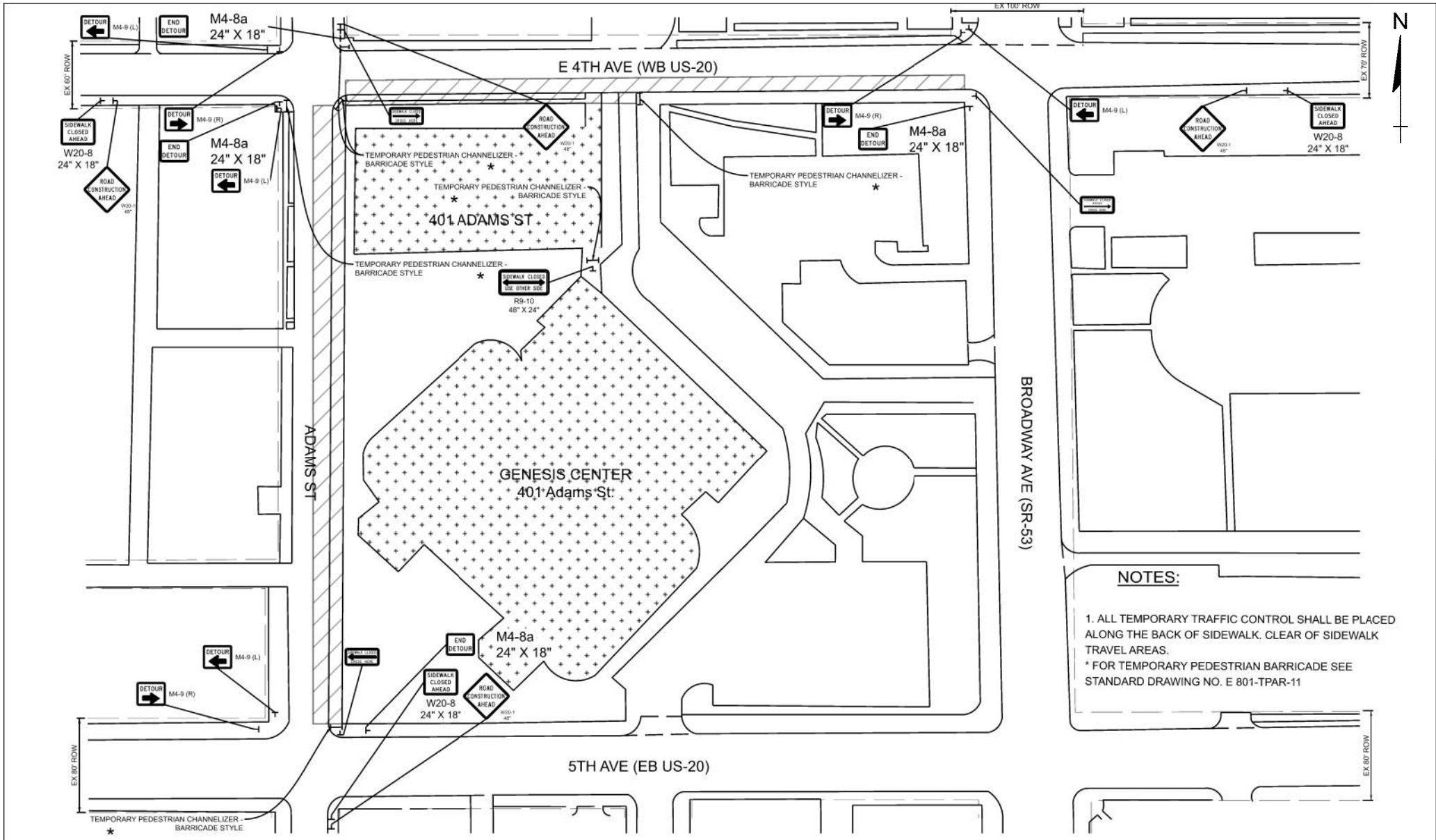
CHECKED: _____ CHECKED: _____

DESIGN ENGINEER _____ DATE _____

NORTHWEST INDIANA REGIONAL DEVELOPMENT AUTHORITY

401 ADAMS PEDESTRIAN STAGING SHEET PHASE 1
GARY BLIGHT ELIMINATION PROGRAM

HORIZONTAL SCALE	N/A	BRIDGE FILE	N/A
VERTICAL SCALE	N/A	DESIGNATION	N/A
SURVEY BOOK	TBD	SHEETS	7 of 9
CONTRACT	N/A	PROJECT	GARY INDIANA HOT ROUTES



NOTES:

1. ALL TEMPORARY TRAFFIC CONTROL SHALL BE PLACED ALONG THE BACK OF SIDEWALK. CLEAR OF SIDEWALK TRAVEL AREAS.
- * FOR TEMPORARY PEDESTRIAN BARRICADE SEE STANDARD DRAWING NO. E 801-TPAR-11

LEGEND

	Temporary Pavement Marking, Removable, 6 IN. (White)
	Temporary Pavement Marking, Removable, 6 IN. (Yellow)
	Construction Clear Zone
	MOT Barrels with 50' spacing
	Traffic Flow Arrow
	Type III Barricade
	Temporary Concrete Jersey Barrier
	Building Demolition

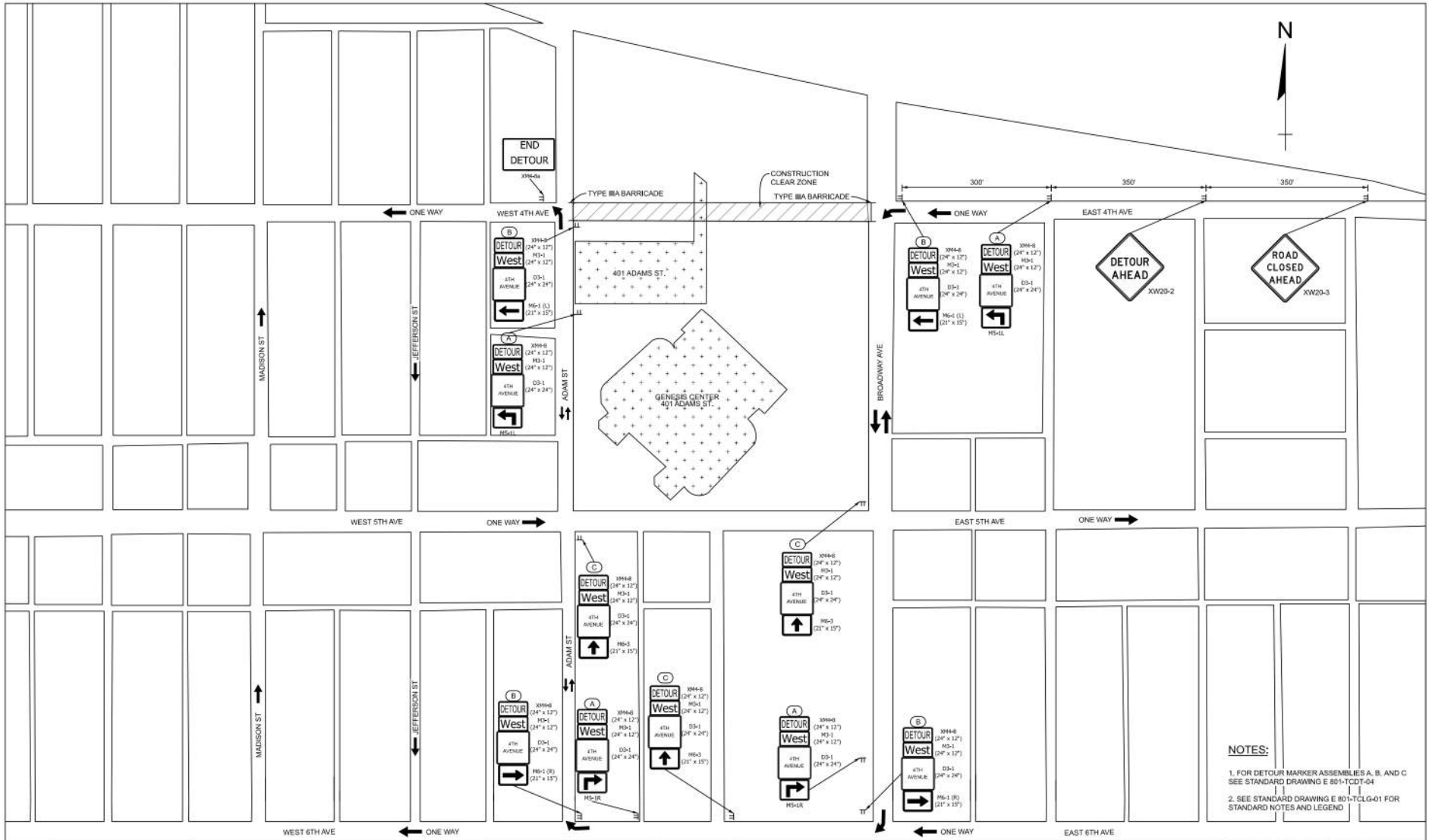
INFRASTRUCTURE ENGINEERING | INDIANAPOLIS, IN
 303 W. Canal Blvd Suite 531 | Detroit, MI 48202
 P: 313.963.1111 | F: 313.963.1112 | www.infraeng.com

RECORDED FOR APPROVAL	DESIGN ENGINEER	DATE
DESIGNED BY	DRAWN	CHECKED
CHECKED	CHECKED	

NORTHWEST INDIANA REGIONAL DEVELOPMENT AUTHORITY

401 ADAMS PEDESTRIAN STAGING SHEET PHASE 2
GARY BLIGHT ELIMINATION PROGRAM

HORIZONTAL SCALE	BRIDGE FILE
N/A	N/A
VERTICAL SCALE	DESIGNATION
N/A	N/A
SURVEY BOOK	SHEETS
TBD	8 of 9
CONTRACT	PROJECT
N/A	GARY INDIANA HOT ROUTES



NOTES:
 1. FOR DETOUR MARKER ASSEMBLIES A, B, AND C SEE STANDARD DRAWING E 801-TCDT-04
 2. SEE STANDARD DRAWING E 801-TCLG-01 FOR STANDARD NOTES AND LEGEND

LEGEND	
	Temporary Pavement Marking, Removable, 6 IN., Dotted, (White)
	Temporary Pavement Marking, Removable, 6 IN. (Yellow)
	Construction Clear Zone
	Type III Barricade
	Temporary Concrete Jersey Barrier
	MOT Barrels with 50' spacing
	Building Demolition
	Traffic Flow Arrow

INFRASTRUCTURE ENGINEERING
 301 W. Grand Blvd. Suite 530 | Des Moines, IA 50325
 515.281.1200 | info@infrastructureeng.com

RECOMMENDED FOR APPROVAL	DESIGN ENGINEER	DATE
DESIGNED:	DRAWN:	
CHECKED:	CHECKED:	

NORTHWEST INDIANA REGIONAL DEVELOPMENT AUTHORITY

**MOT 401 ADAMS ST
 WB 4TH AVENUE CLOSURE DETOUR PHASE 1
 GARY BLIGHT ELIMINATION PROGRAM**

HORIZONTAL SCALE	N/A	BRIDGE FILE	N/A
VERTICAL SCALE	N/A	DESIGNATION	N/A
SURVEY BOOK	T&D	SHEETS	9 OF 9
CONTRACT	N/A	PROJECT	GARY INDIANA HOT ROUTES




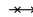






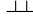


GENERAL NOTES:

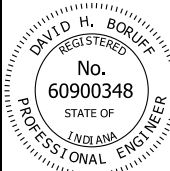
1. Distances shown are typical except minimum distances may be varied based on field conditions.
2. The spacing of channelizing devices shall be 100 ft where the posted speed limit is 50 m.p.h. or greater.
3. The spacing of channelizing devices shall be 50 ft where the posted speed limit is less than or equal to 45 m.p.h.
4. The spacing of channelizing devices on tapers shall be numerically equal in feet to the posted speed limit in m.p.h.
5. The flashing arrow sign shall not be placed on a sidewalk. The flashing arrow sign shall be placed at a distance of L/3 from the beginning of the taper, where L is the merge taper, see Standard Drawing E 801-TCDV-03.
6. For temporary lane closures during daylight hours, cones or tubular markers may be used in lieu of drums.
7. Temporary pavement markings shall not be required for temporary daylight lane closures.
8. Temporary highway illumination, when specified, shall be as detailed on the plans.

9. Once the crossovers have been removed, this line shall be restriped yellow if the pavement is to be used for one-way traffic.
10. For Temporary Crossover Type B, this line shall be removed when the traffic pattern is switched.
11. The advisory speed plate will not be required when the existing posted speed limit is less than 55 mph.
12. Spacing of channelizing devices at this location shall be 20 ft.
13. The "Two-Way Traffic" (XW6-3B) and "Do Not Pass" (R4-1-B) signs shall alternate every 2640 ft throughout the two-lane two-way operation.
14. For a bridge contract, this distance may be adjusted by the Engineer as required. However, it shall be as close to the minimum as possible.
15. Once the crossovers have been removed, this line shall be restriped broken white, if the pavement is to be used for one-way traffic.

SURFACE AREA OF ONE TYPE A TEMPORARY CROSSOVER, SYS	
MEDIAN WIDTH, ft	TYPE A
60	1208
50	1041
40	880
36	814
30	713
26	648

LEGEND

- | | |
|--|---|
|  Flagger |  Temporary Pavement Marking |
|  Work area |  Removal of pavement markings and prismatic reflectors |
|  Flashing arrow sign |  Typical Sign Standard (Road Closure Sign Assembly) |
|  Channelizing device |  Type III-A or Type III-B Barricades as required |
|  Police car (optional) |  Double Headed Flashing Arrow Sign |
|  Construction sign and supports |  Direction of Traffic |
| W = Width of offset |  Low Intensity construction warning light, Type A |

INDIANA DEPARTMENT OF TRANSPORTATION											
TRAFFIC CONTROL LEGEND AND GENERAL NOTES											
SEPTEMBER 2016											
STANDARD DRAWING NO. E 801-TCLG-01											
	<table border="0" style="width: 100%;"> <tr> <td style="text-align: center; vertical-align: top;">/s/ <i>David H. Boruff</i></td> <td style="text-align: right; vertical-align: top;">03/02/16</td> </tr> <tr> <td style="text-align: center; font-size: small;">DESIGN STANDARDS ENGINEER</td> <td style="text-align: right; font-size: small;">DATE</td> </tr> <tr> <td colspan="2" style="padding: 5px 0 5px 0;"> </td> </tr> <tr> <td style="text-align: center; vertical-align: top;">/s/ <i>Mark A. Miller</i></td> <td style="text-align: right; vertical-align: top;">03/02/16</td> </tr> <tr> <td style="text-align: center; font-size: small;">CHIEF ENGINEER</td> <td style="text-align: right; font-size: small;">DATE</td> </tr> </table>	/s/ <i>David H. Boruff</i>	03/02/16	DESIGN STANDARDS ENGINEER	DATE			/s/ <i>Mark A. Miller</i>	03/02/16	CHIEF ENGINEER	DATE
/s/ <i>David H. Boruff</i>	03/02/16										
DESIGN STANDARDS ENGINEER	DATE										
/s/ <i>Mark A. Miller</i>	03/02/16										
CHIEF ENGINEER	DATE										

INDEX

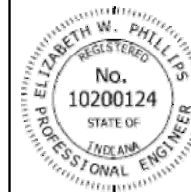
SHEET NO.	SUBJECT
1	Temporary Concrete Barrier Index Sheet
2	Temporary Concrete Barrier Dimensions and Flare Rates
3	Temporary Concrete Barrier Details
4	Temporary Concrete Barrier Double Taper End Section
5	Anchored Temporary Concrete Barrier, Drop-In Anchor
6	Anchored Temporary Concrete Barrier, Ferrule Loop Insert

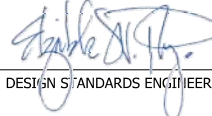

INDIANA DEPARTMENT OF TRANSPORTATION

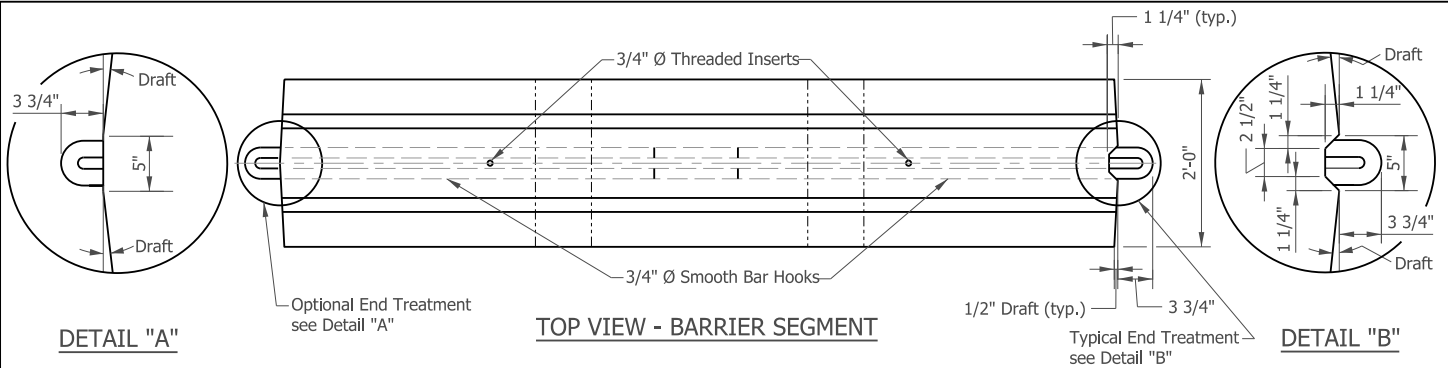
TEMPORARY CONCRETE BARRIER
INDEX SHEET

SEPTEMBER 2019

STANDARD DRAWING NO. E 801-TCCB-01

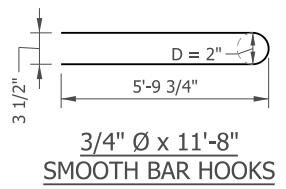
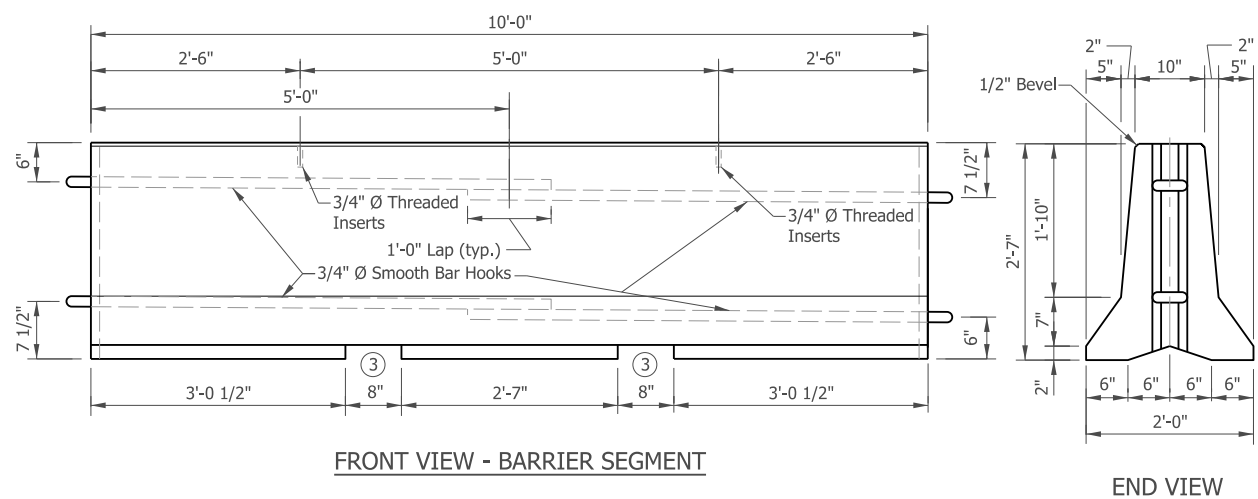


	5/2/2019
DESIGN STANDARDS ENGINEER	DATE
	6/5/2019
CHIEF ENGINEER	DATE



NOTES:

1. For freeways and interstates, the maximum barrier flare rate and construction clear zone distance shall be based on 70 mph for the first run of barrier within the construction zone. For subsequent barrier placement, the barrier flare rates and construction clear zone distance shall be based on 70 mph unless otherwise shown on the plans.
2. The barrier taper flare rate and construction clear zone distance are shown in Table No. 1. Construction clear zone distance is measured from the through travel lane. The barrier taper flare rate shall be as shown or flatter.
3. The dimensions of the lifting slots are subject to adjustment as necessary to accommodate handling equipment.
4. For additional connection details see Standard Drawing E 801-TCCB-03.



Construction Zone Design Speed	Barrier Taper Flare Rate	Construction Clear Zone Distance
70 mph	20:1	30
60 mph	18:1	30
55 mph	16:1	23
50 mph	14:1	16
45 mph	12:1	16
40 mph	10:1	13
≤ 35 mph	10:1	13

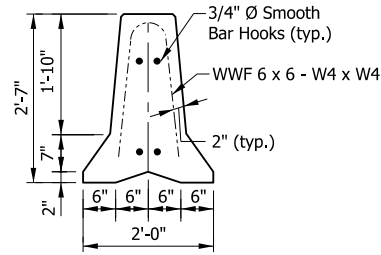
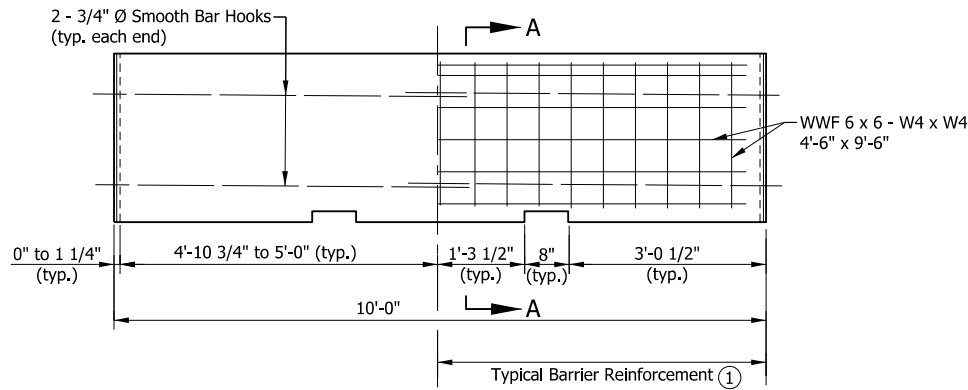
INDIANA DEPARTMENT OF TRANSPORTATION

TEMPORARY CONCRETE BARRIER DIMENSIONS AND FLARE RATES

SEPTEMBER 2024

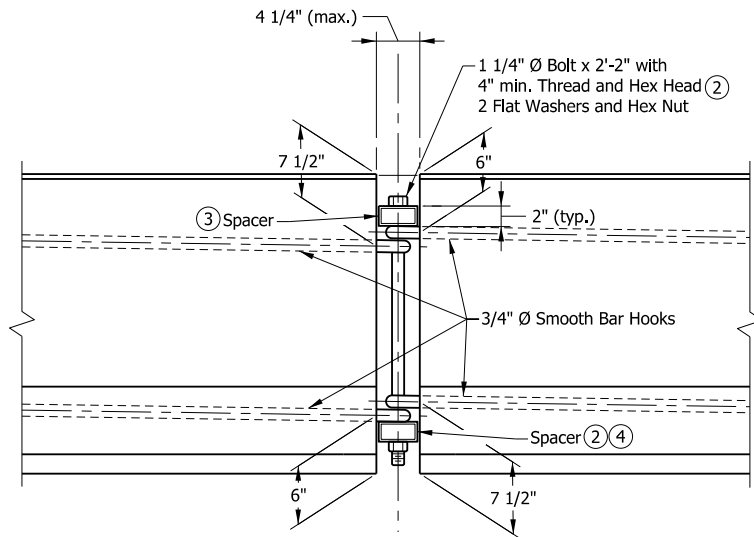
STANDARD DRAWING NO. **E 801-TCCB-02**

	<p style="text-align: right;">04/09/2024</p> <p>DESIGN STANDARDS ENGINEER DATE</p> <p style="text-align: right;">04/17/2024</p> <p>CHIEF ENGINEER DATE</p>
--	--

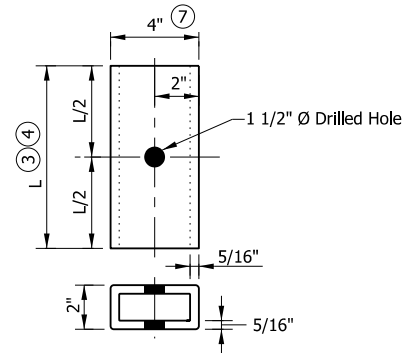


SECTION A-A ①

REINFORCEMENT DETAILS



FRONT VIEW
CONNECTION DETAIL



SPACER DETAIL

NOTES:

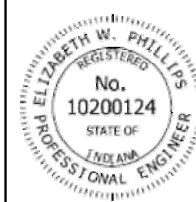
- ① Section A-A shows reinforcement with welded wire fabric. The WWF may be bent to the shape of the wall.
- ② Hex nut may be tack welded to bottom spacer to facilitate installation and removal. Bolts shall be torqued only to tight condition. Clearance between the spacer and the ends of the barrier shall allow angular deflection at the joints to allow flare rate 11:1 or flatter.
- ③ Top spacer TS 4" x 2" x 5/16" x 10" long.
- ④ Bottom spacer TS 4" x 2" x 5/16" x 1'-4" long.
5. Where necessary to meet short radius curving alignment, the shorter top spacer (10") may be substituted for the standard bottom spacer (16").
6. For additional connection details see Standard Drawing E 801-TCCB-02.
- ⑦ Where very short radius curving alignment is encountered, spacers may be TS 3" x 2" x 1/4" x the appropriate length as shown above.
8. In lieu of the connection detail shown, the J-J Hook temporary barrier connection of Easi-Set Industries as described in FHWA eligibility letter B-52 of March 26, 1999 may be used.

INDIANA DEPARTMENT OF TRANSPORTATION

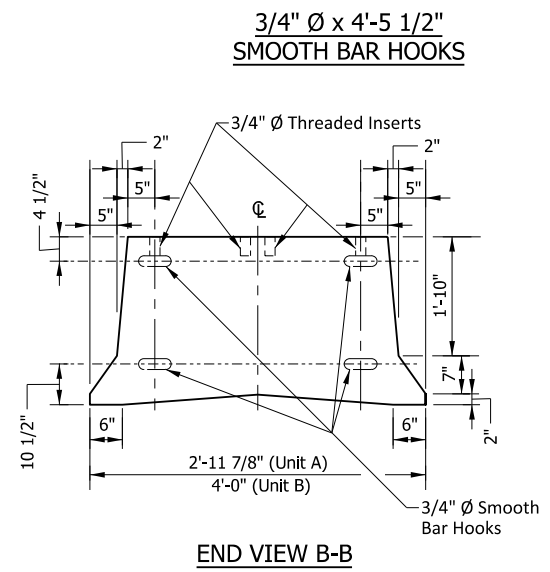
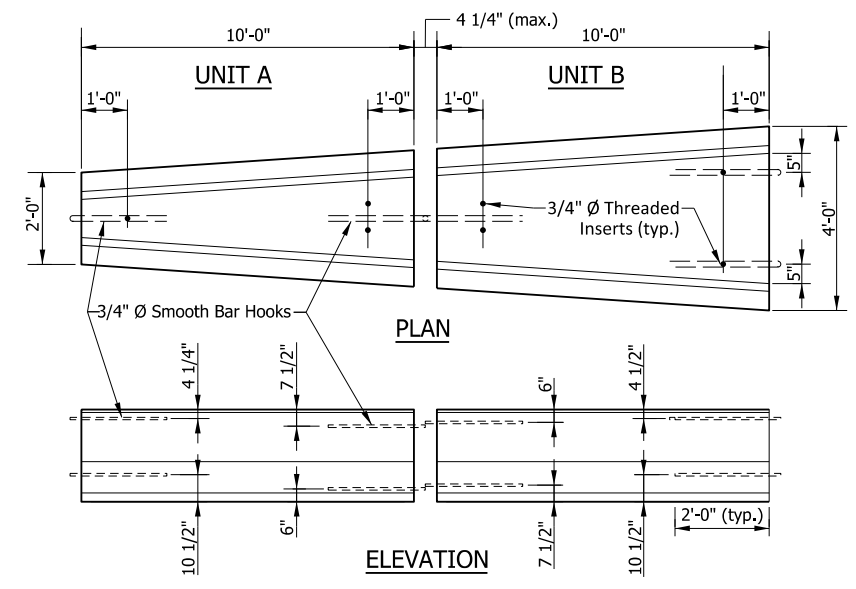
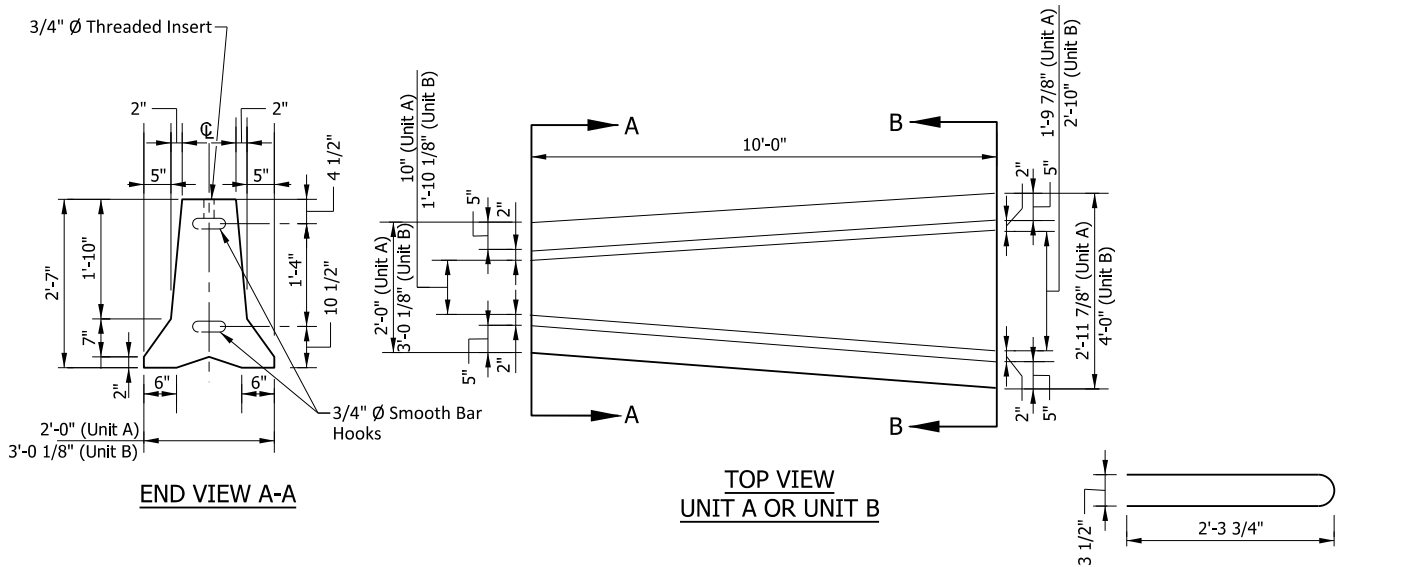
TEMPORARY CONCRETE BARRIER
DETAILS

SEPTEMBER 2019

STANDARD DRAWING NO. E 801-TCCB-03



	5/2/2019
DESIGN STANDARDS ENGINEER	DATE
	6/5/2019
CHIEF ENGINEER	DATE

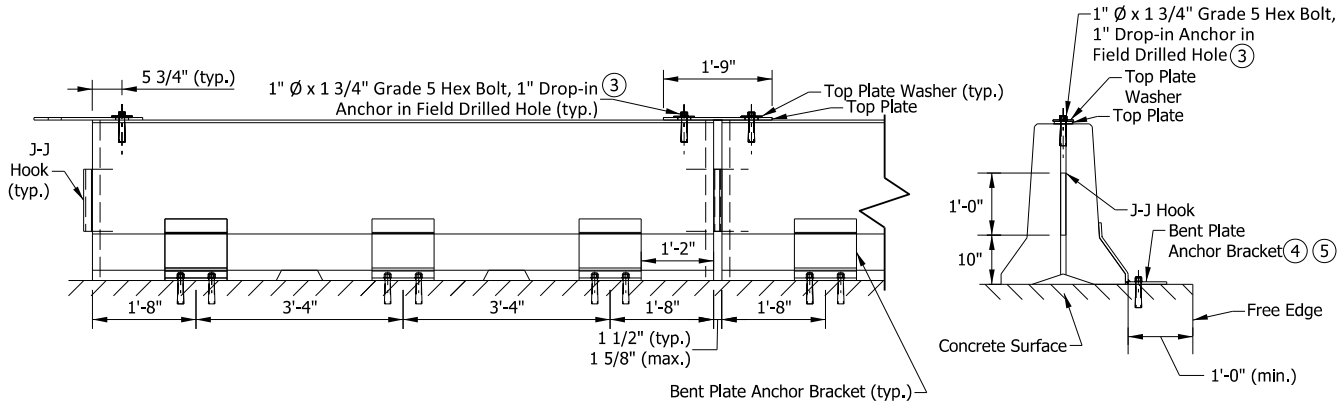


DOUBLE TAPER END SECTION ASSEMBLY
(Showing location of inserts and bar hooks)

NOTES:

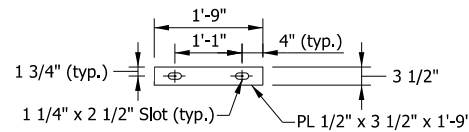
1. For connection details between Units A and B, see Standard Drawing E 801-TCCB-03.
2. Extreme ends of the double taper end section assembly require a 1 1/4" Ø bolt x 2'-3 1/2" (4" min. thread, hex head and hex nut) for connecting to adjacent temporary concrete barriers.

INDIANA DEPARTMENT OF TRANSPORTATION	
TEMPORARY CONCRETE BARRIER DOUBLE TAPER END SECTION	
SEPTEMBER 2019	
STANDARD DRAWING NO.	E 801-TCCB-04
	 DESIGN STANDARDS ENGINEER 5/2/2019 DATE
	 CHIEF ENGINEER 6/5/2019 DATE

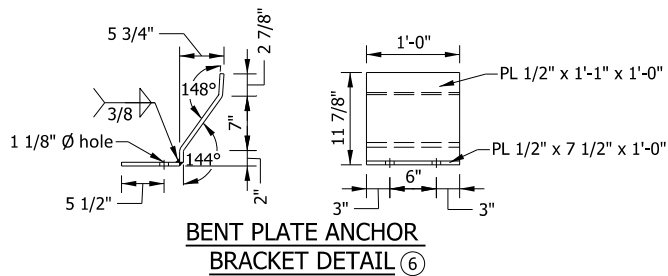


BARRIER FRONT VIEW

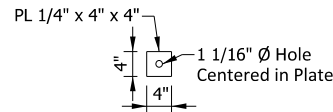
END VIEW



TOP PLATE DETAIL




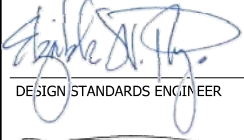

BENT PLATE ANCHOR BRACKET DETAIL (6)

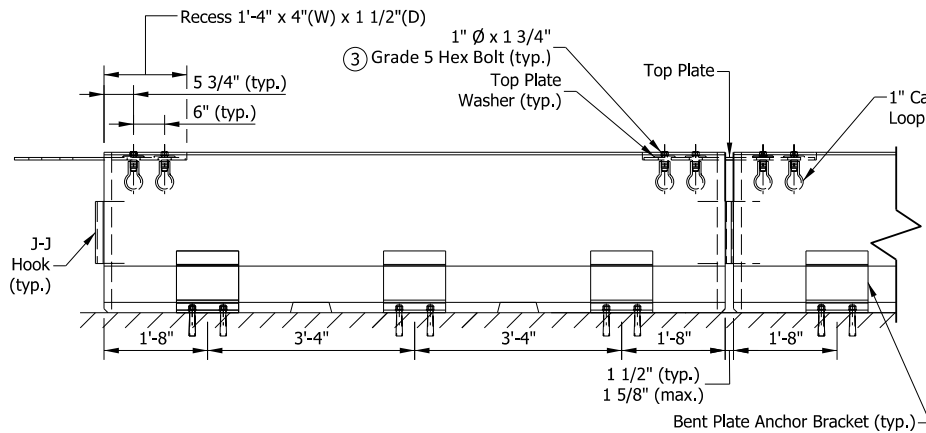


TOP PLATE WASHER DETAIL

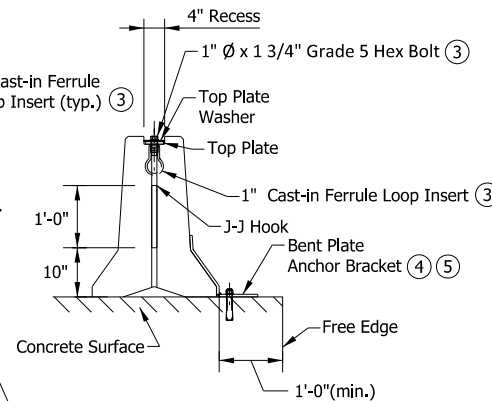
NOTES:

1. All steel shall be ASTM A-36 hot rolled unless otherwise noted.
2. J-J Hooks are a product of Easi-Set Worldwide. Hooks shall be cast into the barrier in accordance with the manufacturer's recommendations.
3. The drop-in anchor and bolt shall be tightened to the anchor manufacturer's specifications. The anchor shall have a minimum ultimate shear capacity of 26.4 kips.
4. Bent plate anchor bracket shall be attached to a concrete surface using one of the following anchor systems. Minimum embedment shall be in accordance with the manufacturer's recommendations, but not less than 4 1/2 in.
 - 1-in. threaded rod, grade 55 minimum, with washer and nut. Rod shall be installed using an approved epoxy chemical anchor system with a minimum ultimate shear capacity of 21.2 kips: or
 - 1-in. diameter wedge anchor; or
 - 1-in. nominal diameter drop-in anchor with 1-in. diameter, grade 5 hex bolt.
5. When concrete will remain in place after anchoring is removed, the threaded rod anchoring system shall be used. The rod shall be completely removed, the hole shall be blown out to remove any moisture or debris, and the hole completely filled using the same epoxy that was used for anchoring the rod.
6. A single bent plate anchor bracket may be used instead of the two-plate detail as shown.

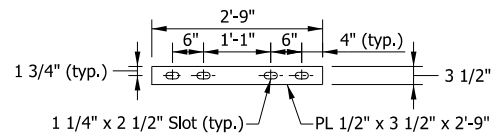
INDIANA DEPARTMENT OF TRANSPORTATION	
ANCHORED TEMPORARY CONCRETE BARRIER, DROP-IN ANCHOR SEPTEMBER 2019	
STANDARD DRAWING NO.	E 801-TCCB-05
	 DESIGN STANDARDS ENGINEER DATE 5/29/2019
 CHIEF ENGINEER DATE 6/5/2019	



BARRIER FRONT VIEW



END VIEW



TOP PLATE DETAIL

NOTES:

1. All steel shall be ASTM A-36 hot rolled unless otherwise noted.
2. J-J Hooks are a product of Easi-Set Worldwide. Hooks shall be cast into the barrier in accordance with the manufacturer's recommendations.
- ③ The bolt shall be installed snug tight in the cast-in ferrule loop insert. The insert shall have a minimum ultimate shear capacity of 12.1 kips.
- ④ Bent plate anchor bracket shall be attached to a concrete surface using one of the following anchor systems. Minimum embedment shall be in accordance with the manufacturer's recommendations, but not less than 4 1/2 in.
 - 1-in. threaded rod, grade 55 minimum, with washer and nut. Rod shall be installed using an approved epoxy chemical anchor system with a minimum ultimate shear capacity of 21.2 kips; or
 - 1-in. diameter wedge anchor; or
 - 1-in. nominal diameter drop-in anchor with 1-in. diameter, grade 5 hex bolt.
- ⑤ When concrete will remain in place after anchoring is removed, the threaded rod anchoring system shall be used. The rod shall be completely removed, the hole shall be blown out to remove any moisture or debris, and the hole completely filled using the same epoxy that was used for anchoring the rod.
6. See E 801-TCCB-05 for bent plate anchor details, top plate washer details, and additional notes.

INDIANA DEPARTMENT OF TRANSPORTATION	
ANCHORED TEMPORARY CONCRETE BARRIER, FERRULE LOOP INSERT	
SEPTEMBER 2019	
STANDARD DRAWING NO.	E 801-TCCB-06
DESIGN STANDARDS ENGINEER	5/29/2019 DATE
	6/5/2019 DATE
CHIEF ENGINEER	DATE

INDEX

SHEET NO.	SUBJECT
1	Traffic Control Devices Index and General Notes
2	Channelizing Devices
3	Merge or Shift Taper
4	Channelizing Devices Usage
5	Type III Barricade
6	Typical Construction Sign Mounting
7	Type III Barricade Application for Road Closure for Thru Traffic
8	Type III Barricade Application for Road Closure to All Traffic

GENERAL NOTES:

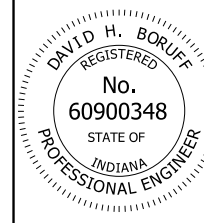
1. Unless otherwise noted, channelizing devices in tangent sections shall be 100 ft where the permanent posted speed limit is 50 m.p.h. or greater, and the spacing shall be 50 ft where the permanent posted speed limit is less than or equal to 45 m.p.h.
2. Unless otherwise noted, the spacing of channelizing devices in tapers shall be equal in feet to the permanent posted speed limit in m.p.h.
3. All channelizing devices shall satisfy NCHRP 350 or MASH crash evaluation criteria.
4. It is not necessary to delineate a drop-off of 3 in. or less adjacent to active travel lanes. Where channelizing devices are used to delineate drop-offs of 3 in. or less adjacent to active travel lanes, at least 33 in. of the device shall be above the adjoining pavement surface. Where channelizing devices are used to delineate a drop-off greater than 3 in. adjacent to active travel lanes, at least 27 in. of the device shall be above the adjoining pavement surface and a Type C warning light shall be attached to the top of the device (on the pavement side). In no case shall more than 9 in. of the device be below the adjoining pavement surface.
5. The proper orientation in respect to approaching vehicular traffic shall be maintained on channelizing devices. Drums are the preferred channelizing device in a tight radius curve and at intersections.
6. **Short-term stationary**, work that occupies a location for more than one hour within a single daylight period.
Intermediate-term stationary, work that occupies a location for more than one daylight period up to three days, or nighttime work lasting more than one hour.
Long-term stationary, work that occupies a location for more than three days.

INDIANA DEPARTMENT OF TRANSPORTATION

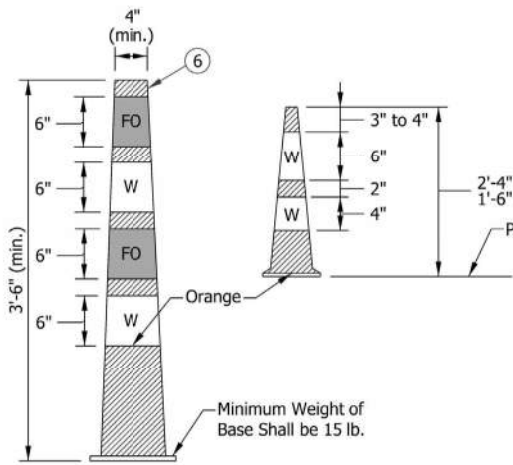
TRAFFIC CONTROL DEVICES
INDEX AND GENERAL NOTES

SEPTEMBER 2022

STANDARD DRAWING NO. E 801-TCDV-01

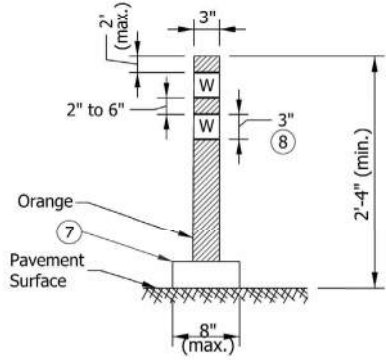


<i>David H. Boruff</i>	06/08/22
DESIGN STANDARDS ENGINEER	DATE
<i>[Signature]</i>	06/27/2022
CHIEF ENGINEER	DATE

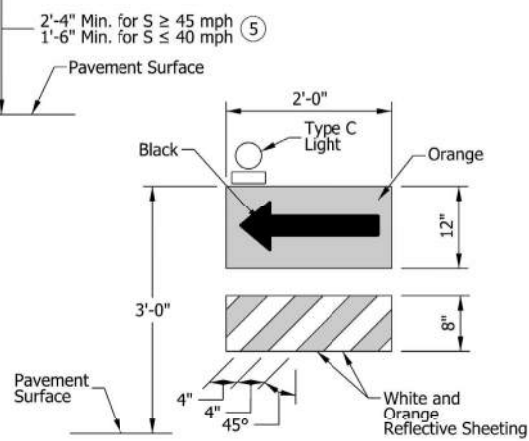


CONE

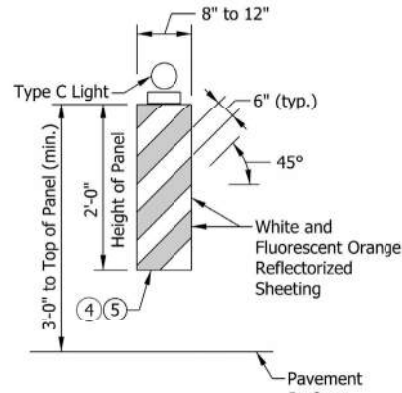
③



FLEXIBLE TUBULAR MARKER

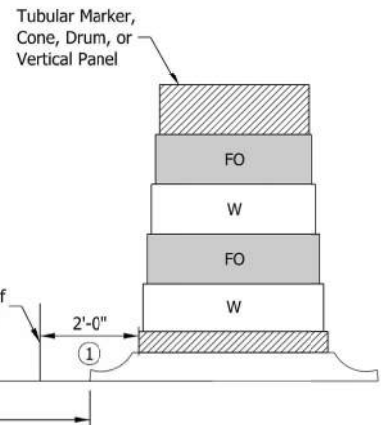


DIRECTION INDICATOR BARRICADE

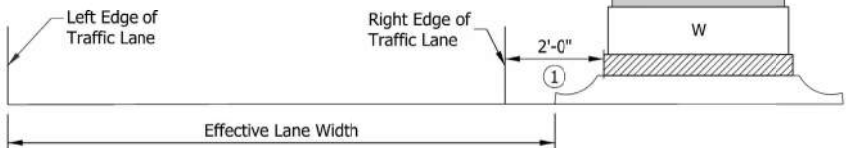


VERTICAL PANEL

①



DRUM



PLACEMENT OF CHANNELIZING DEVICES

NOTES:

- ① Shy distance for tubular markers and cones may be reduced to 1 ft.
- ② A Type C warning light will be required on tapers where there is a reduction in the number of lanes and a flashing arrow sign is used.
- ③ Reflective sheeting may be omitted from cones for lane closures during daylight hours.
- ④ For vertical panels equal to or greater than 3 ft in height, the width of the stripes shall be 6 in.
- ⑤ Vertical panels used on roadways with a permanent posted speed limit of 50 mph or greater shall have a minimum reflective panel area of 270 sq. in.
- ⑥ The maximum distance between the edges of adjacent reflective sheeting strips shall be 2 in.
- ⑦ Minimum flexible tubular marker base area shall be 0.3 sq ft.
- ⑧ For nighttime work, tubular markers with a height of less than 3.5 ft shall have two 3 in. white bands of reflective sheeting placed a maximum of 2 in. from the top with a maximum of 6 in. between the bands.
- ⑨ See Standard Drawing E 801-TCDV-04 for channelizing device usage and application.

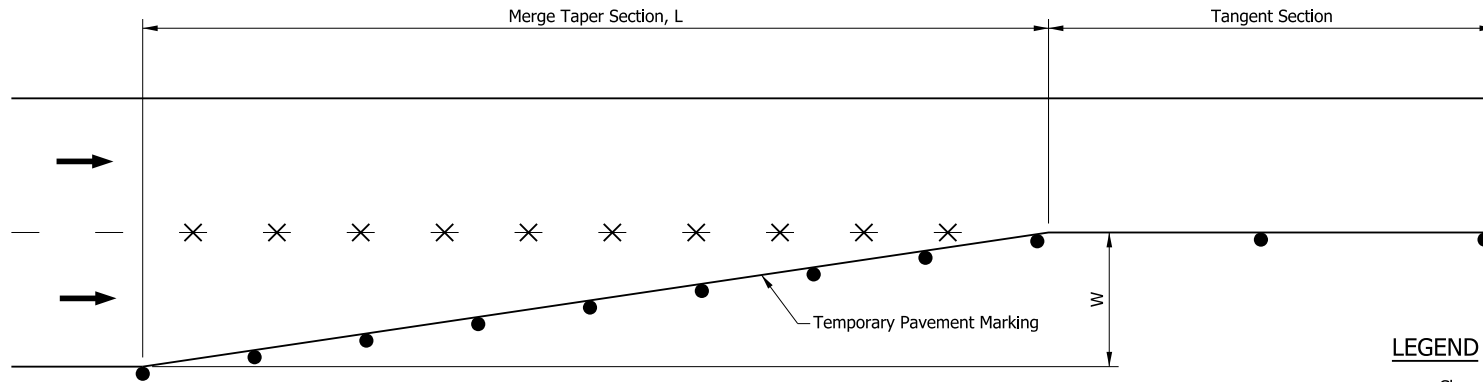
LEGEND

- W = White Reflective Sheeting
- FO = Fluorescent Orange Reflective Sheeting

INDIANA DEPARTMENT OF TRANSPORTATION	
CHANNELIZING DEVICES	
SEPTEMBER 2022	
STANDARD DRAWING NO.	E 801-TCDV-02

NOTES:

1. For freeways, a taper length of 840 ft shall be used for the first merge taper. For subsequent merges, a length of 840 ft shall be used unless otherwise shown on the plans.
2. A shift taper preceded by a merge taper shall be separated by a tangent section equal to or greater than the length of the shift taper.



LEGEND

- = Channelizing Device
- * = Removal of pavement markings and prismatic reflectors
- ➔ = Direction of Traffic
- L = Minimum length of taper in ft
- S = Posted speed limit prior to the construction zone in mph
- W = Width of lane or shift in ft

MERGE TAPER				
S	Min. Taper Length L			
MPH	W = 9	W = 10	W = 11	W = 12
25	95	105	115	125
30	135	150	165	180
35	185	205	225	245
40	240	270	295	320
45	405	450	500	540
50	450	500	550	600
55	495	550	605	660
60	540	600	660	720
65	585	650	715	780
70	630	700	770	840
75	675	750	825	900

For W not shown in the table, $L = W \times S$ for a speed of 45 mph or greater.
 $L = W \times S^2/60$ for a speed of 40 mph or lower.

SHIFT TAPER				
S	Min. Taper Length L/2			
MPH	W = 9	W = 10	W = 11	W = 12
25	50	55	60	65
30	70	75	85	90
35	95	105	115	125
40	120	135	150	160
45	205	225	250	270
50	225	250	275	300
55	250	275	305	330
60	270	300	330	360
65	295	325	360	390
70	315	350	385	420
75	340	375	415	450

For W not shown in the table, L is one half that required for a merge taper.


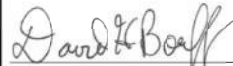
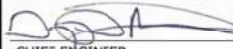
INDIANA DEPARTMENT OF TRANSPORTATION	
MERGE OR SHIFT TAPER	
SEPTEMBER 2022	
STANDARD DRAWING NO.	E 801-TCDV-03
	 DESIGN STANDARDS ENGINEER 06/08/22 DATE
 CHIEF ENGINEER	06/27/2022 DATE

NOTES:

- ① Spacing in tangent shall be 40 ft maximum; spacing between devices in taper shall be numerically equal in feet, maximum, to the posted speed limit in m.p.h.
- ② Spacing in tangent shall be 80 ft maximum; spacing between devices in taper shall be numerically equal in feet, maximum, to the posted speed limit in m.p.h.
- ③ Spacing in tangents shall be 50 ft maximum when the speed limit is 45 m.p.h. or below; spacing in tangents shall be 100 ft maximum when the posted speed limit is 50 mph or above; in cases where the posted speed limit is intermittently set to 45 m.p.h. the channelizing devices shall be maintained at 90 ft maximum spacing; spacing of channelizing devices on tapers shall be numerically equal in feet, maximum, to the posted speed limit in m.p.h.
- ④ May only be used for daylight restrictions.
- ⑤ May not be used for long-term, stationary work (more than 3 days).
- ⑥ 30 lb ballast configuration required.
- 7. For the purpose of channelizing device usage and spacing, the posted speed limit is the permanent posted speed limit, temporary speed limit, or worksite speed limit, whichever is lower.

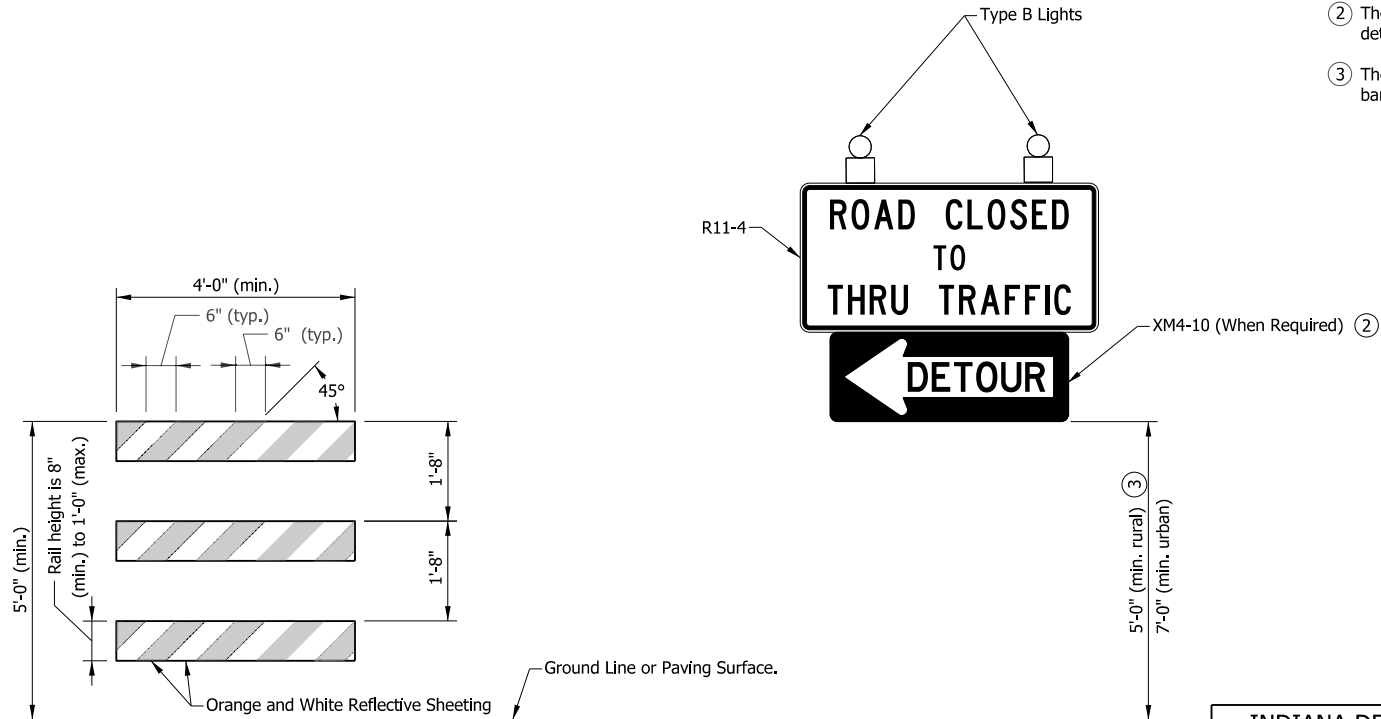
Channelizing Device Type	Usage Application									
	To delineate merge tapers on		To delineate tangents where adequate space exists and also lane shift tapers on		Where the effective lane width is less than 10 ft to delineate tangents in lieu of drums on		Where the effective lane width is less than 10 ft to delineate edge of pavement drop-off in lieu of drums on		To divide opposing lanes of traffic on	To divide two or more lanes of same direction traffic on
	Freeways	Non-Freeways	Freeways	Non-Freeways	Freeways	Non-Freeways	Freeways	Non-Freeways	Non-Freeways	Non-Freeways
18 in. Cone ① ≤ 40 mph Posted Speed Limit	No	Yes ④	No	Yes ④	No	No	No	No	Yes ④	Yes ④
18 in. Cone ≥ 45 mph Posted Speed Limit	No	No	No	No	No	No	No	No	No	No
28 in. Cone ① ≤ 40 mph Posted Speed Limit	No	Yes ⑤	No	Yes ⑤	No	No	No	No	Yes ⑤	Yes ⑤
28 in. Cone ② 45 mph Posted Speed Limit	No	Yes ④	No	Yes ④	No	No	No	No	Yes ⑤	Yes ⑤
28 in. Cone ≥ 50 mph Posted Speed Limit	No	Yes ④	No	Yes ④	No	No	No	No	Yes ⑤	Yes ⑤
42 in. Channelizer (Cone) ① ⑥ ≤ 45 mph Posted Speed Limit	No	Yes ⑤	No	Yes ⑤	Yes	Yes	Yes	Yes	Yes ⑤	Yes ⑤
42 in. Channelizer (Cone) ② ⑥ ≥ 50 mph Posted Speed Limit	No	Yes ⑤	No	Yes ⑤	Yes	Yes	Yes	Yes	Yes ⑤	Yes ⑤
Direction Indicator Barricade ③	Yes	Yes	No	No	No	No	No	No	No	No
Flexible Tubular Marker ③	No	No	No	No	No	No	No	Yes	Yes	Yes
Vertical Panel ③	No	Yes	No	Yes	No	Yes	No	Yes	No	No
Construction Drum ③	Yes	Yes	Yes	Yes	No	No	No	No	No	No

CHANNELIZING DEVICE USAGE TABLE

INDIANA DEPARTMENT OF TRANSPORTATION	
CHANNELIZING DEVICE USAGE	
SEPTEMBER 2022	
STANDARD DRAWING NO.	E 801-TCDV-04
	 06/08/22 DESIGN STANDARDS ENGINEER DATE
	 06/27/2022 CHIEF ENGINEER DATE

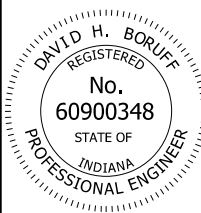
NOTES:

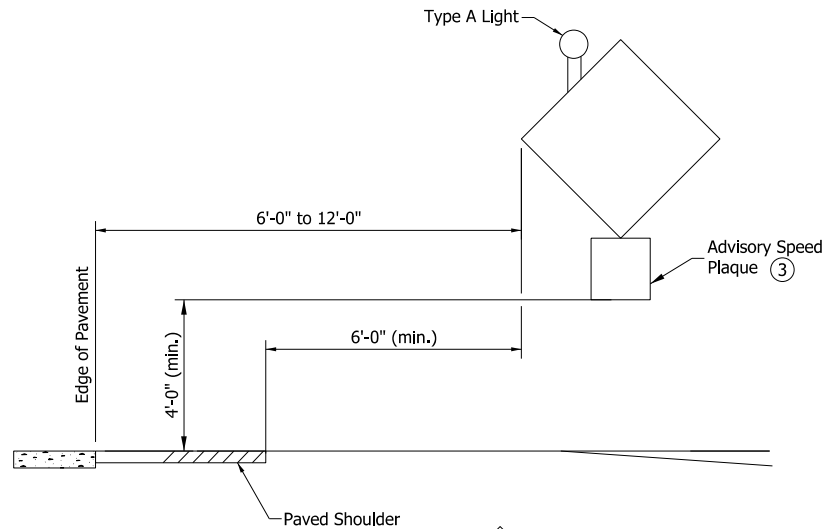
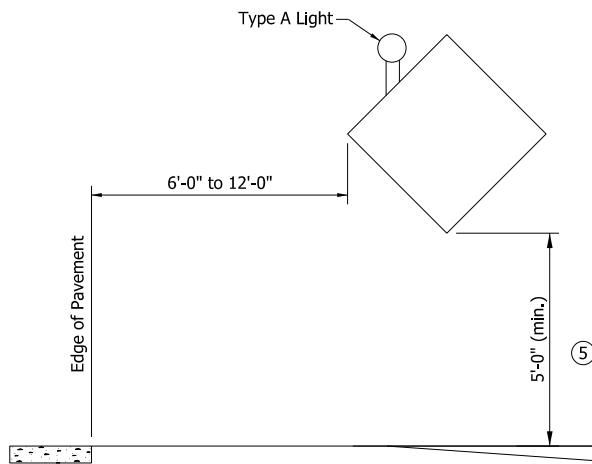
1. Barricade lights, signs, and supports shall satisfy NCHRP 350 or MASH crash evaluation criteria.
- ② The detour arrow sign shall be used only when a detour route has been signed.
- ③ The sign assembly shall be above the Type III barricade.



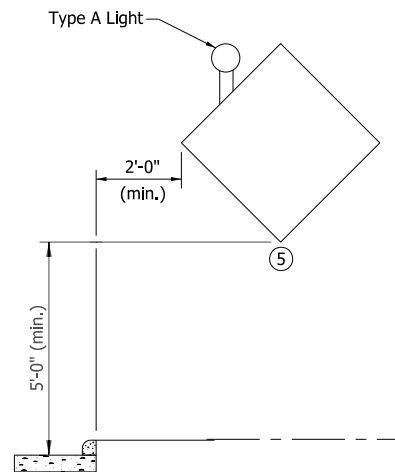
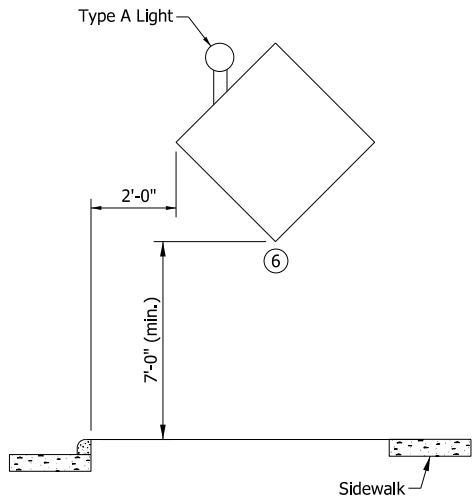
TYPE III BARRICADE

ROAD CLOSURE SIGN ASSEMBLY

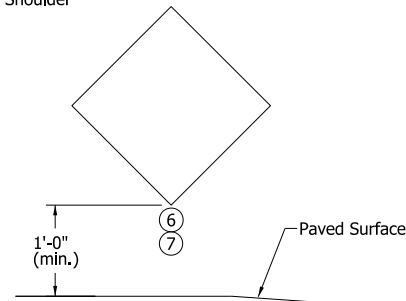
INDIANA DEPARTMENT OF TRANSPORTATION	
TYPE III BARRICADE	
SEPTEMBER 2022	
STANDARD DRAWING NO.	E 801-TCDV-05
	<p style="text-align: right;"><i>David H. Boruff</i> 06/08/22 DESIGN STANDARDS ENGINEER DATE</p> <p style="text-align: right;"><i>[Signature]</i> 06/27/2022 CHIEF ENGINEER DATE</p>



ROADWAY WITHOUT CURB



CURBED ROADWAY



TEMPORARY MOUNTED CONSTRUCTION SIGN

NOTES:

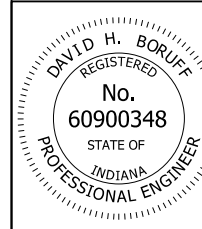
1. See Standard Drawing E 801-TCSN-07 for additional notes.
2. Signs, lights, and supports shall satisfy NCHRP 350 or MASH crash evaluation criteria.
- ③ An advisory speed plaque, required to be placed with another construction sign, may be mounted on the post closest to the roadway at a height not less than 4 ft above the edge of pavement adjacent to the sign. The bottom of the construction warning sign shall not be lower than the top of the advisory speed plaque.
4. Type A warning light required on all construction signs.
- ⑤ In urban area or on Interstate route, mounting height shall not be less than 7 ft.
- ⑥ When signs are placed on sidewalk, a 4 ft useable width shall be maintained. No part of the sign or support that is less than 7 ft in height may protrude more than 4 in. into the 4 ft useable sidewalk width.
- ⑦ Temporary mounted construction sign for nighttime work or for operations which affect traffic lanes shall have a mounting height of 5 ft above the traveled way. On roadways where on-street parking is allowed, temporary mounted construction signs shall have a minimum sign mounting height of 7 ft above the traveled way.

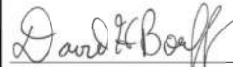

INDIANA DEPARTMENT OF TRANSPORTATION

TYPICAL CONSTRUCTION SIGN MOUNTING

SEPTEMBER 2022

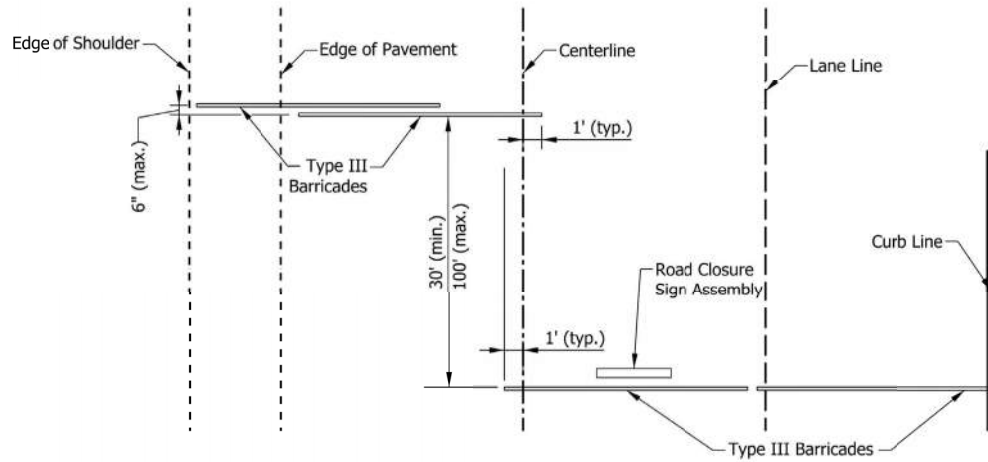
STANDARD DRAWING NO. E 801-TCDV-06



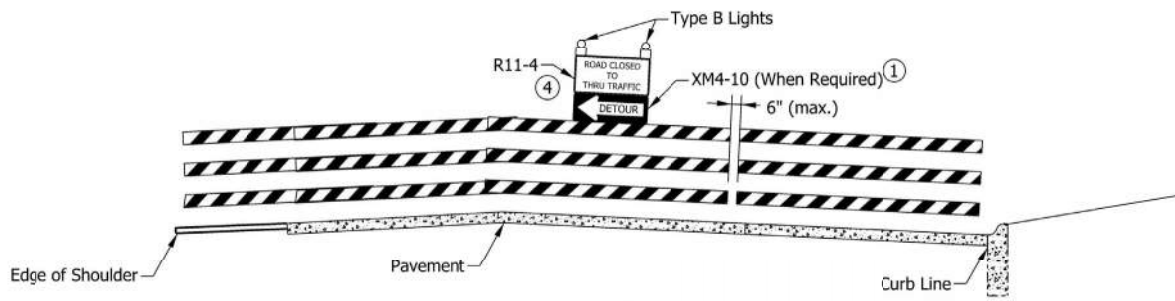
 06/08/22
 DESIGN STANDARDS ENGINEER DATE
 06/27/2022
 CHIEF ENGINEER DATE

NOTES:

- ① The detour arrow (XM4-10) sign shall be used only when a detour route has been signed.
- 2. See Standard Drawing E 801-TCDV-06 for sign mounting information.
- 3. Barricades and supports shall satisfy NCHRP 350 or MASH crash evaluation criteria.
- ④ The R11-3a ("ROAD CLOSED/LOCAL TRAFFIC ONLY") sign may be substituted for the R11-4 sign as shown on the plans or as directed by the engineer.

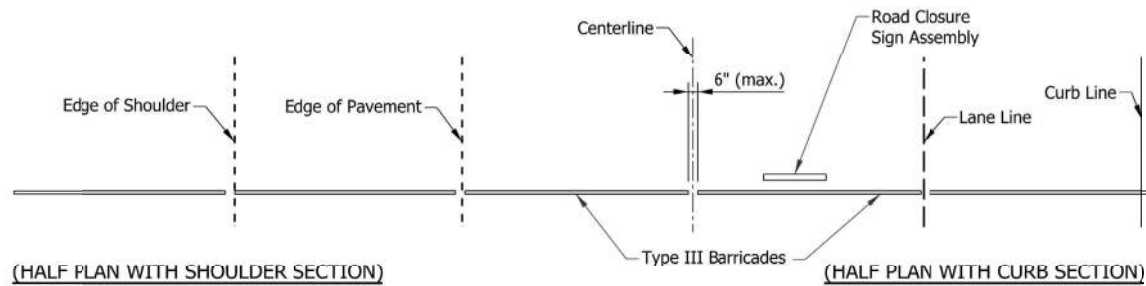


PLAN VIEW

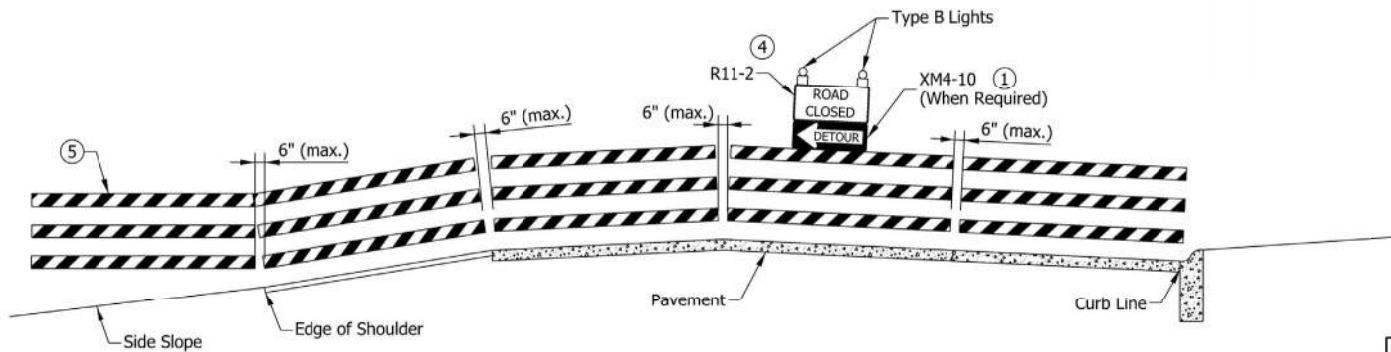


ELEVATION

INDIANA DEPARTMENT OF TRANSPORTATION	
TYPE III BARRICADE APPLICATION FOR ROAD CLOSURE FOR THRU TRAFFIC	
SEPTEMBER 2022	
STANDARD DRAWING NO. E 801-TCDV-07	
	<p style="text-align: right;"><i>David H. Boruff</i> 06/08/22 DESIGN STANDARDS ENGINEER DATE</p> <p style="text-align: right;"><i>[Signature]</i> 06/27/2022 CHIEF ENGINEER DATE</p>



PLAN VIEW



ELEVATION

NOTES:

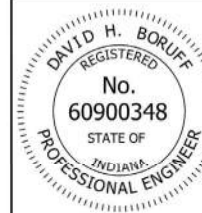
- ① The detour arrow (XM 4-10) sign shall be used only when a detour route has been signed.
2. See Standard Drawing E 801-TCDV-06 for sign mounting information.
3. Barricades and supports shall satisfy NCHRP 350 or MASH crash evaluation criteria.
- ④ The sign legend of the R11-2 sign may be modified to "BRIDGE CLOSED" as shown on the plans or as directed by the engineer.
- ⑤ Barricades shall be supported on driven posts in areas outside of the pavement or sidewalk, where side slopes are 3 to 1 or flatter.

INDIANA DEPARTMENT OF TRANSPORTATION

TYPE III BARRICADE APPLICATION
FOR ROAD CLOSURE TO ALL TRAFFIC

SEPTEMBER 2022

STANDARD DRAWING NO. E 801-TCDV-08

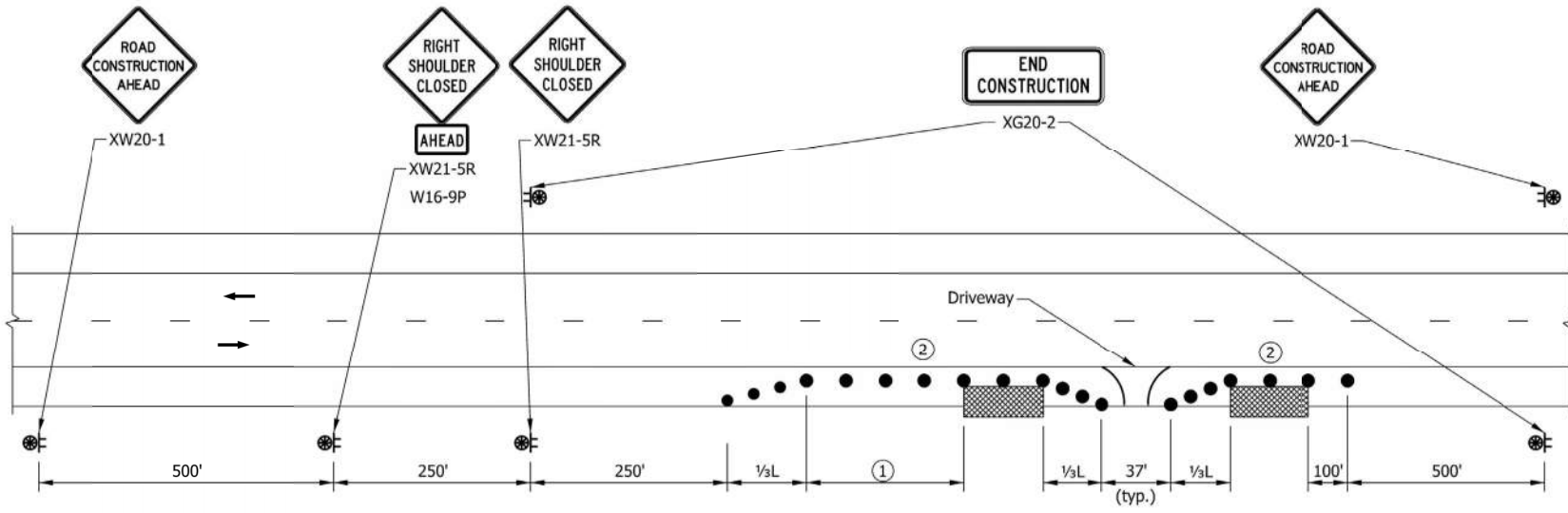


David H. Boruff 06/08/22
DESIGN STANDARDS ENGINEER DATE

[Signature] 06/27/2022
CHIEF ENGINEER DATE

NOTES:

- ① Longitudinal Buffer Length, see table.
- ② Use temporary traffic barrier if required by designer.
- 3. See Standard Drawing series E 801-TCDV for distance, L.



LEGEND

- Temporary Traffic Barrier
- Channelizing Device
- Construction Sign and Supports
- Construction Warning Light
- Direction of Traffic
- Crash Cushion
- Work Area

LONGITUDINAL BUFFER LENGTH	
Posted Speed Limit (mph)	Length (ft)
≤30	200
35	250
40	305
45	360
50	425
55	495

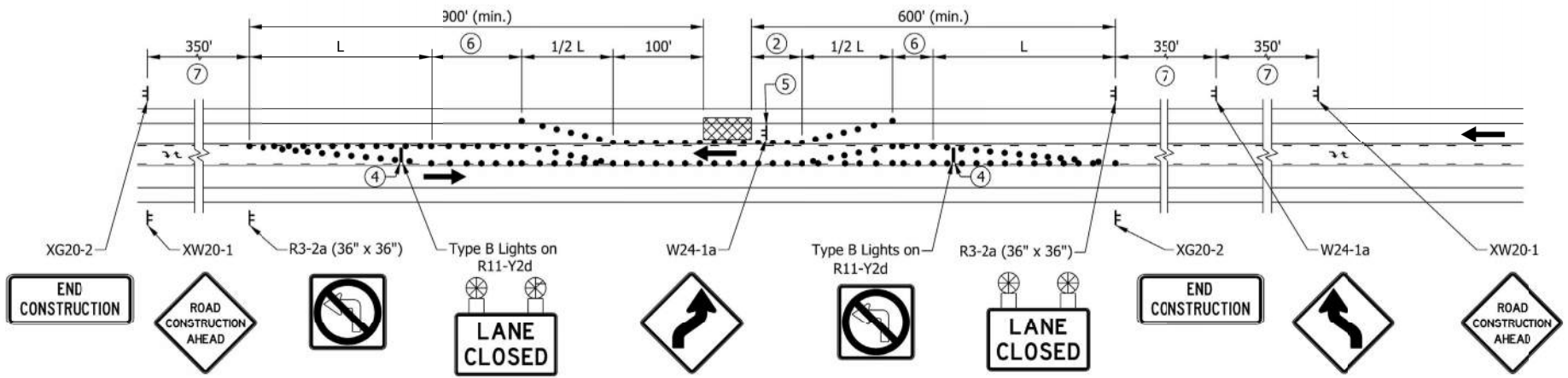
INDIANA DEPARTMENT OF TRANSPORTATION

SHOULDER CLOSURE ON TWO LANE HIGHWAY WITH LOCAL ACCESS

SEPTEMBER 2022

STANDARD DRAWING NO. E 801-TCSC-06

	<p style="text-align: right;"><i>David H. Boruff</i> 05/17/22 DESIGN STANDARDS ENGINEER DATE</p> <p style="text-align: right;"><i>[Signature]</i> 07/07/2022 CHIEF ENGINEER DATE</p>
--	--



NOTES:

1. See Standard Drawing series E 801-TCDV for merge distance, L.
- ② Longitudinal Buffer Length, see table.
3. R3-2A must be repeated at each intersection and at class 3 and 4 drives.
- ④ Type III Barricade
- ⑤ The lane-shift sign shall be placed 350 ft in advance of the return lane-shift.
- ⑥ Access Control Buffer, if required.
- ⑦ For urban locations where the speed limit is ≤ 35 mph, the sign spacing may be reduced to 100 ft.

LONGITUDINAL BUFFER LENGTH	
Posted Speed Limit (mph)	Length (ft)
25	155
30	200
35	250
40	305
45	360
50	425
55	495
60	570
65	645
70	730

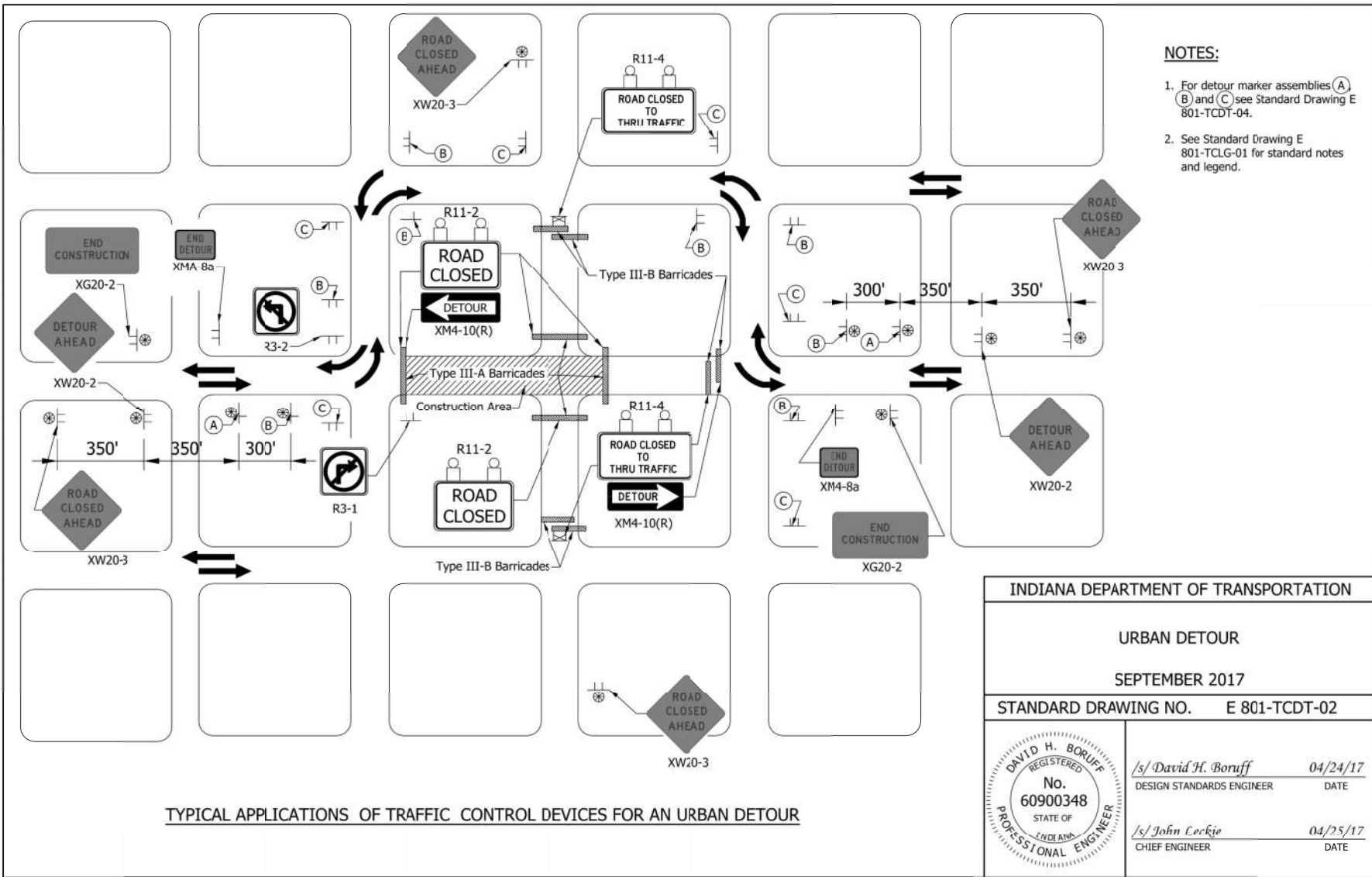
INDIANA DEPARTMENT OF TRANSPORTATION

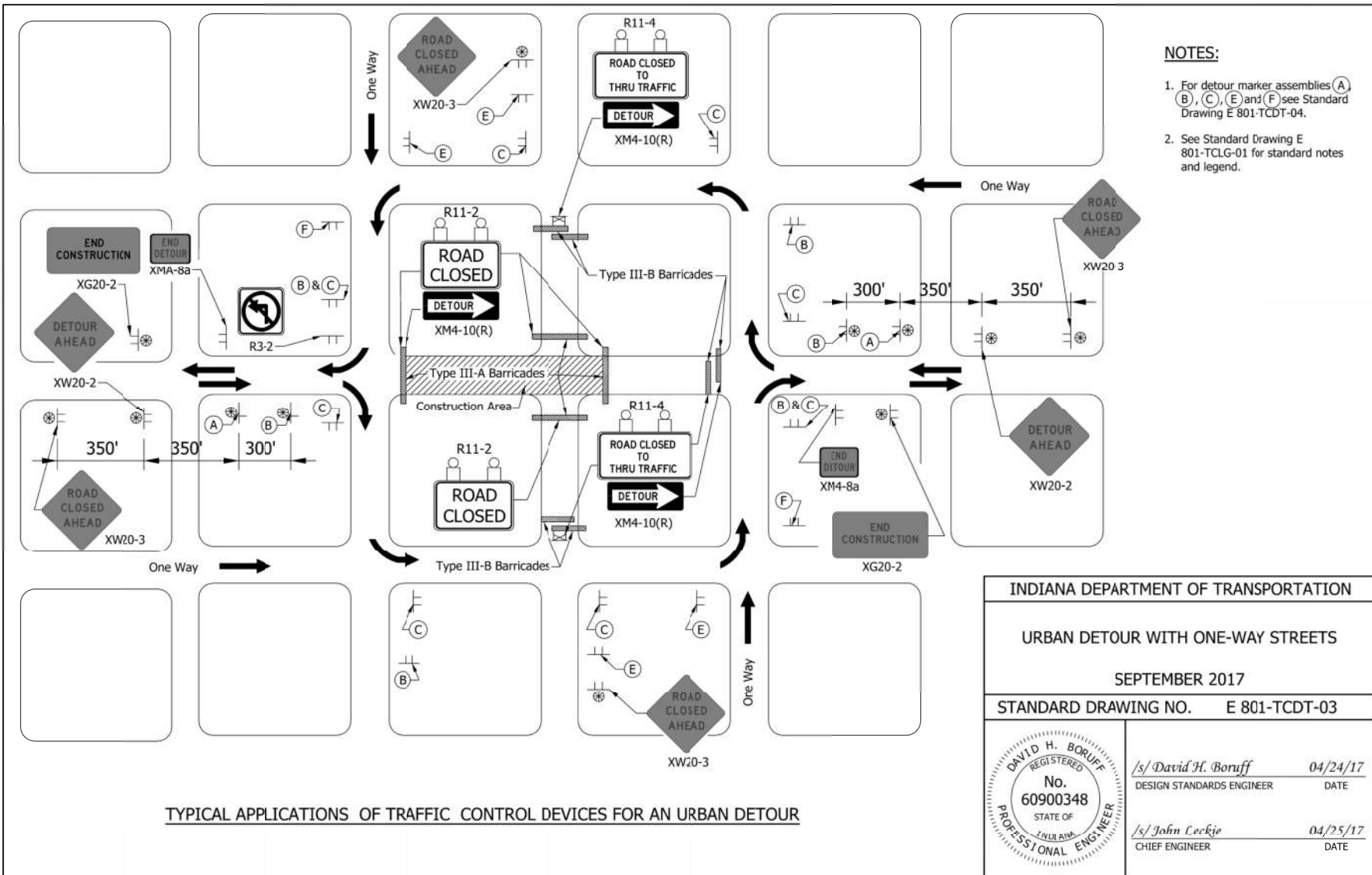
**SHORT OR INTERMEDIATE TERM STATIONARY
LANE CLOSURE ON THREE LANE ROAD**

SEPTEMBER 2022

STANDARD DRAWING NO. E 801-TCLC-12

	<p style="text-align: right;"><i>David H. Boruff</i> 06/08/22 DESIGN STANDARDS ENGINEER DATE</p> <p style="text-align: right;"><i>[Signature]</i> 06/27/2022 CHIEF ENGINEER DATE</p>
--	--

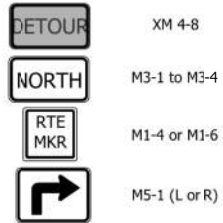




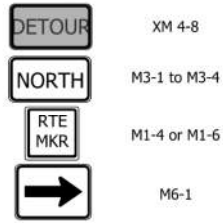
- NOTES:**
- For detour marker assemblies (A), (B), (C), (E) and (F) see Standard Drawing E 801-TCDT-04.
 - See Standard Drawing E 801-TCLG-01 for standard notes and legend.

TYPICAL APPLICATIONS OF TRAFFIC CONTROL DEVICES FOR AN URBAN DETOUR

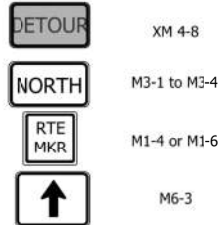
INDIANA DEPARTMENT OF TRANSPORTATION	
URBAN DETOUR WITH ONE-WAY STREETS	
SEPTEMBER 2017	
STANDARD DRAWING NO. E 801-TCDT-03	
	/s/ David H. Boruff 04/24/17 DESIGN STANDARDS ENGINEER DATE
	/s/ John Lockie 04/25/17 CHIEF ENGINEER DATE



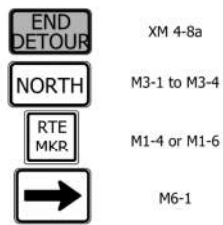
(A) ADVANCE TURN DETOUR ROUTE MARKER ASSEMBLY ①



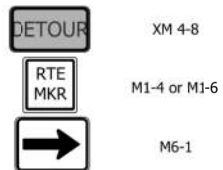
(B) DIRECTIONAL DETOUR ROUTE MARKER ASSEMBLY ②



(C) CONFIRMING DETOUR ROUTE MARKER ASSEMBLY ③



(D) END DETOUR ROUTE MARKER ASSEMBLY ④



(E) BI-DIRECTIONAL DETOUR ROUTE MARKER ASSEMBLY



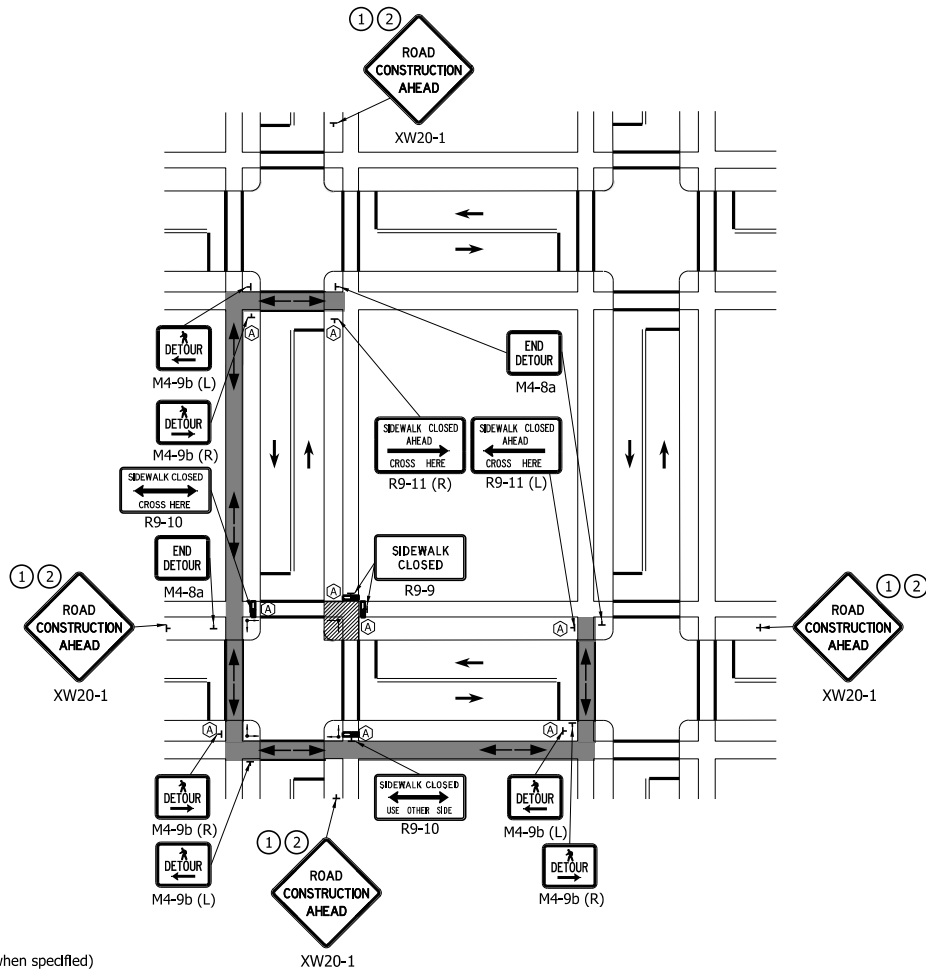
(F) BI-DIRECTIONAL CONFIRMING DETOUR ROUTE MARKER ASSEMBLY

STATE HIGHWAY / NUMBERED LOCAL HIGHWAY

NOTES:

- ① Advance turn detour route marker assemblies shall be located as shown, or after the last cross street prior to the beginning of the detour, as directed.
- ② Directional detour route marker assemblies shall be located 100 ft. to 200 ft. in advance of all required turns within the detour limits.
- ③ Confirming detour route marker assemblies shall be located 200 ft. past all major intersections, as required, and shall be spaced a maximum of 3 mi. on a rural detour or 0.5 mi. on an urban detour on each leg of such detours. Confirming detour route marker assemblies shall be placed after a required turn when directed.
- ④ End detour route marker assemblies shall be located 100 ft. to 200 ft. in advance of the final turn of the detour.

INDIANA DEPARTMENT OF TRANSPORTATION	
DETOUR ROUTE MARKER ASSEMBLIES	
SEPTEMBER 2017	
STANDARD DRAWING NO. E 801-TCDD-04	
	<u>/s/ David H. Boruff</u> 04/24/17 DESIGN STANDARDS ENGINEER DATE
	<u>/s/ John Lockie</u> 04/25/17 CHIEF ENGINEER DATE



LEGEND

- Work Area
- Pedestrian Detour Direction
- Direction of Traffic
- Audible Information Device (when specified)
- Sign (shown facing right)
- Traffic or Pedestrian Signal
- Temporary Pedestrian Channelizer
- Pedestrian Detour Route

NOTES:

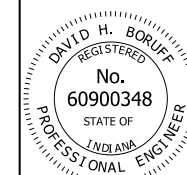
- ① Road Construction Ahead signs shall be placed a minimum 350 ft in advance of the work area. This distance may be reduced to 100 ft if the permanent posted speed limit is 30 mph or less.
- ② When there is no concurrent road construction, the message "Sidewalk Construction Ahead" may be used. They shall be placed a minimum of 100 ft in advance of the closure.

INDIANA DEPARTMENT OF TRANSPORTATION

PEDESTRIAN DETOUR
CORNER CLOSURE

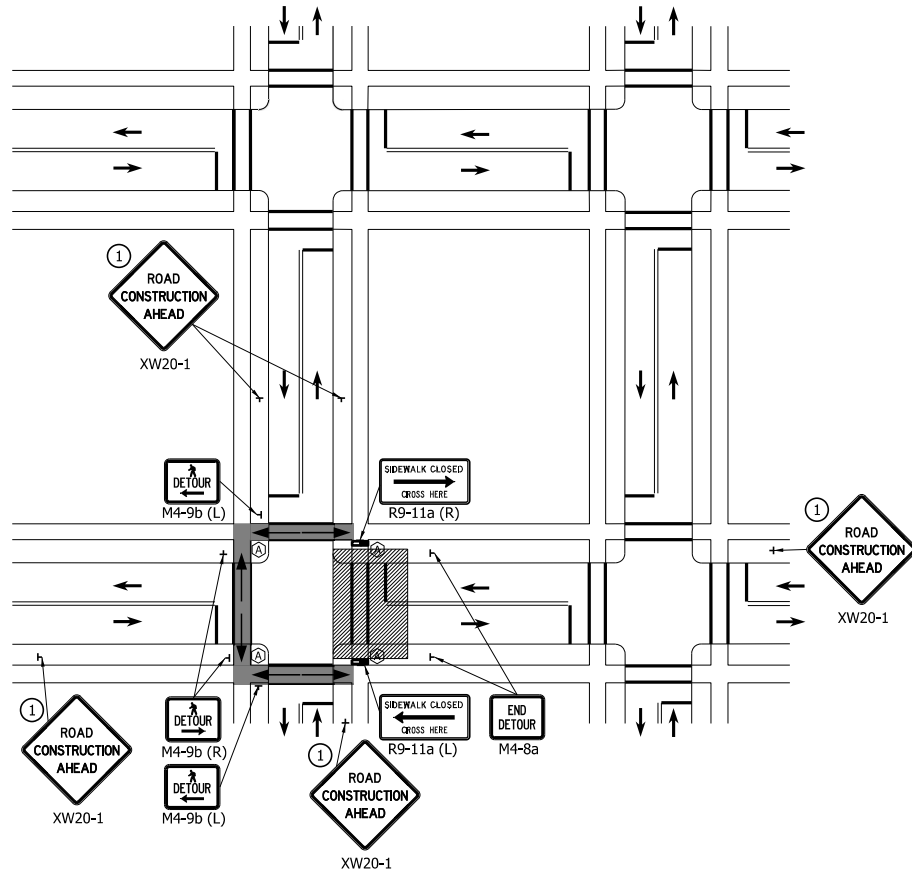
SEPTEMBER 2024

STANDARD DRAWING NO. E 801-TPAR-02



David H. Boruff 4/26/2024
DESIGN STANDARDS ENGINEER DATE

[Signature] 05/13/2024
CHIEF ENGINEER DATE



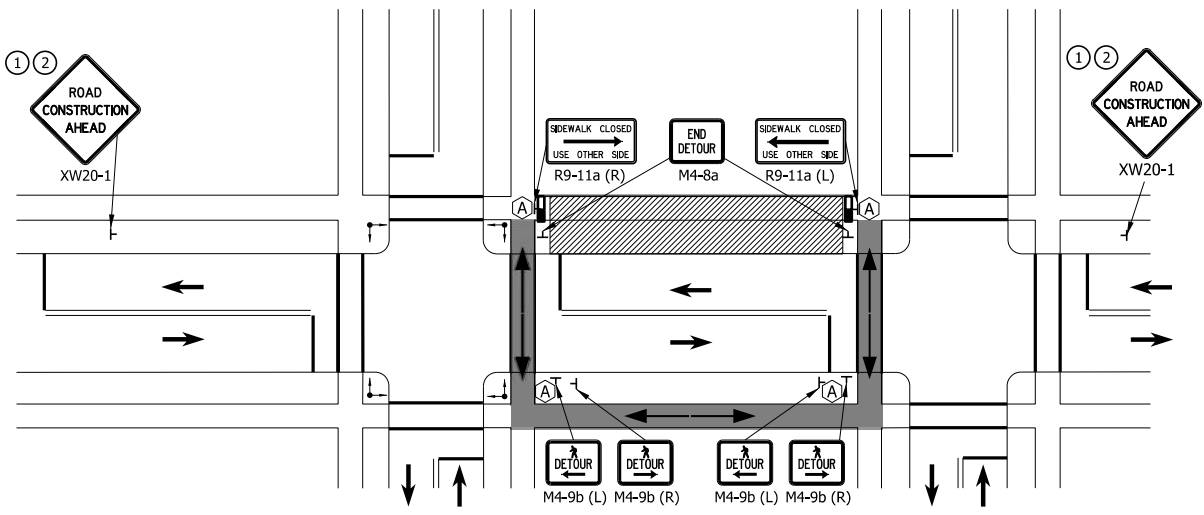
NOTE:

- ① Road Construction Ahead signs shall be placed a minimum 350 ft in advance of the work area. This distance may be reduced to 100 ft if the permanent posted speed limit is 30 mph or less.

LEGEND

- Work Area
- Pedestrian Detour Direction
- Direction of Traffic
- Audible Information Device (when specified)
- Sign (shown facing right)
- Traffic or Pedestrian Signal
- Temporary Pedestrian Channelizer
- Pedestrian Detour Route

INDIANA DEPARTMENT OF TRANSPORTATION	
PEDESTRIAN DETOUR CROSSWALK CLOSURE	
SEPTEMBER 2024	
STANDARD DRAWING NO. E 801-TPAR-03	
	 DESIGN STANDARDS ENGINEER 4/26/2024 DATE
	 CHIEF ENGINEER 05/13/2024 DATE



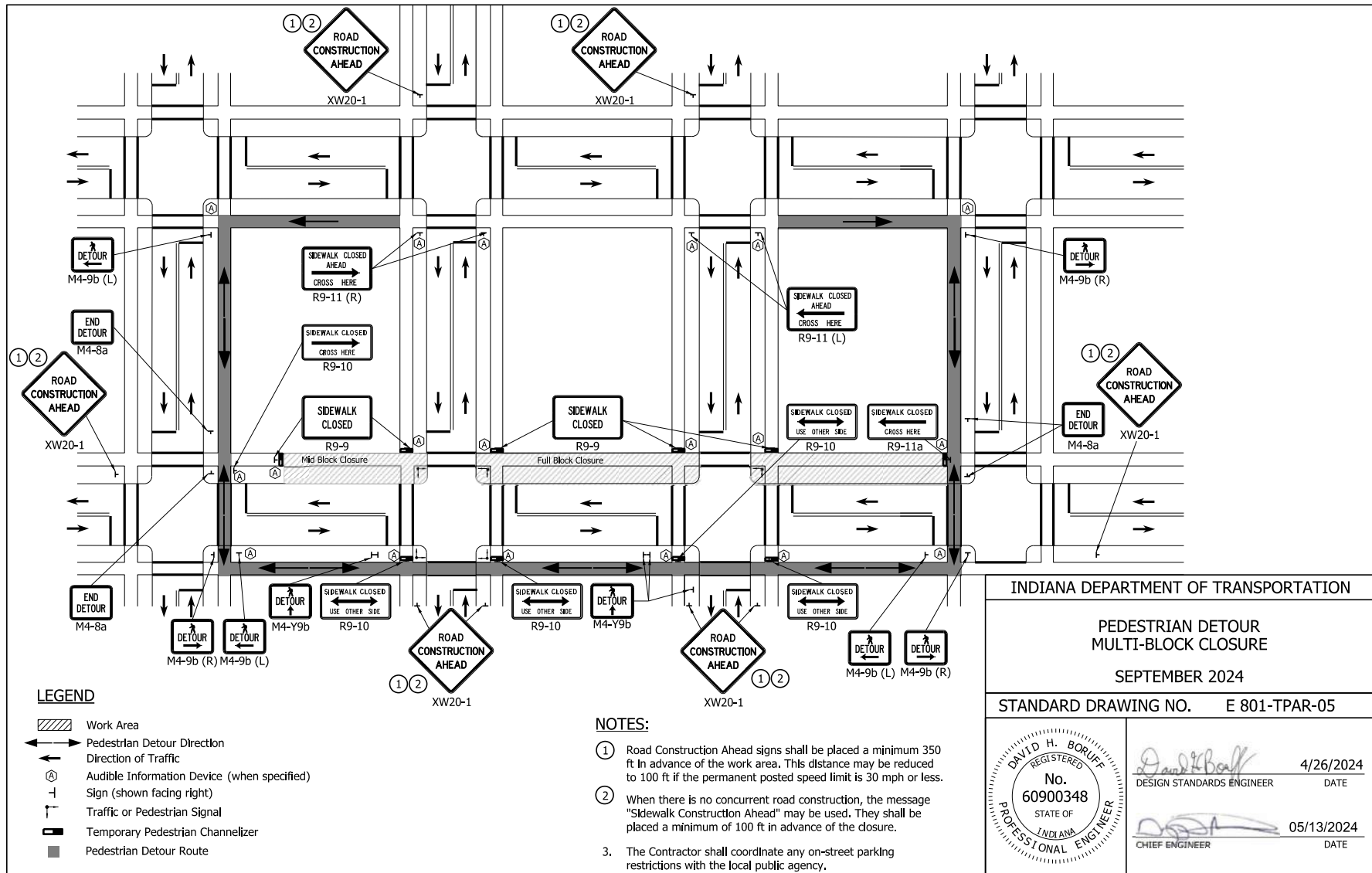
NOTES:

- ① Road Construction Ahead signs shall be placed a minimum 350 ft in advance of the work area. This distance may be reduced to 100 ft if the permanent posted speed limit is 30 mph or less.
- ② When there is no concurrent road construction, the message "Sidewalk Construction Ahead" may be used. They shall be placed a minimum of 100 ft in advance of the closure.
- 3. The Contractor shall coordinate any on-street parking restrictions with the local public agency.

LEGEND

- Work Area
- Pedestrian Detour Direction
- Direction of Traffic
- Audible Information Device (when specified)
- Sign (shown facing right)
- Traffic or Pedestrian Signal
- Temporary Pedestrian Channelizer
- Pedestrian Detour Route

INDIANA DEPARTMENT OF TRANSPORTATION	
PEDESTRIAN DETOUR FULL BLOCK CLOSURE	
SEPTEMBER 2024	
STANDARD DRAWING NO. E 801-TPAR-04	
	<p><i>David H. Boruff</i> 4/26/2024 DESIGN STANDARDS ENGINEER DATE</p> <p><i>[Signature]</i> 05/13/2024 CHIEF ENGINEER DATE</p>



LEGEND

- Work Area
- Pedestrian Detour Direction
- Direction of Traffic
- Audible Information Device (when specified)
- Sign (shown facing right)
- Traffic or Pedestrian Signal
- Temporary Pedestrian Channelizer
- Pedestrian Detour Route

NOTES:

- ① Road Construction Ahead signs shall be placed a minimum 350 ft in advance of the work area. This distance may be reduced to 100 ft if the permanent posted speed limit is 30 mph or less.
- ② When there is no concurrent road construction, the message "Sidewalk Construction Ahead" may be used. They shall be placed a minimum of 100 ft in advance of the closure.
3. The Contractor shall coordinate any on-street parking restrictions with the local public agency.

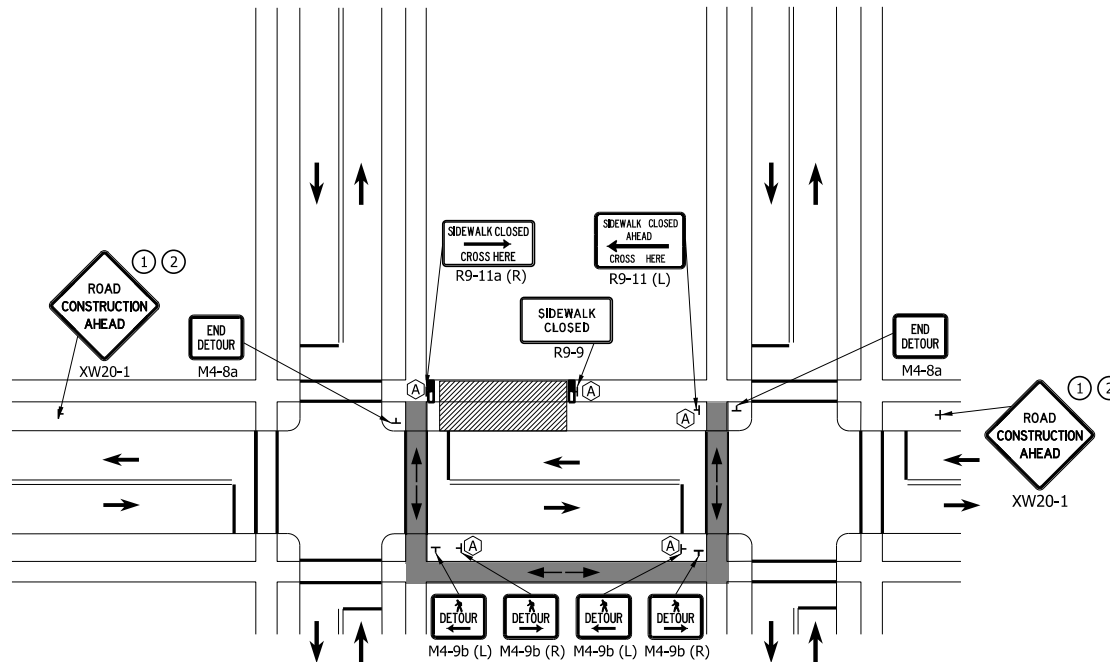
INDIANA DEPARTMENT OF TRANSPORTATION

**PEDESTRIAN DETOUR
MULTI-BLOCK CLOSURE**

SEPTEMBER 2024

STANDARD DRAWING NO. E 801-TPAR-05

	<p style="text-align: right;"><i>David H. Boruff</i> 4/26/2024 DESIGN STANDARDS ENGINEER DATE</p> <p style="text-align: right;"><i>[Signature]</i> 05/13/2024 CHIEF ENGINEER DATE</p>
--	---



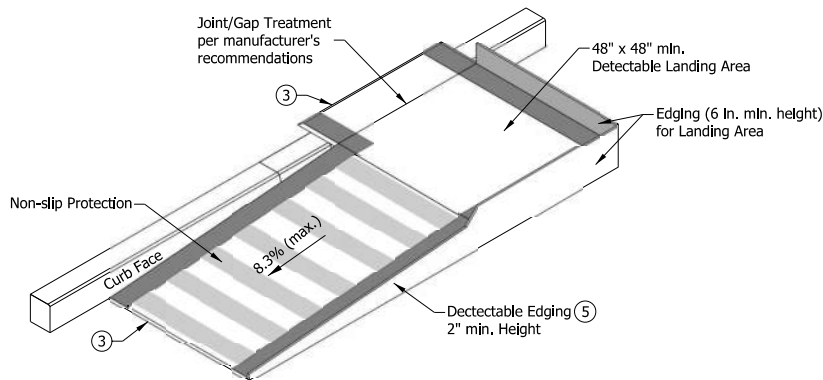
NOTES:

- ① Road Construction Ahead signs shall be placed a minimum 350 ft in advance of the work area. This distance may be reduced to 100 ft if the permanent posted speed limit is 30 mph or less.
- ② When there is no concurrent road construction, the message "Sidewalk Construction Ahead" may be used. They shall be placed a minimum of 100 ft in advance of the closure.
3. The Contractor shall coordinate any on-street parking restrictions with the local public agency.

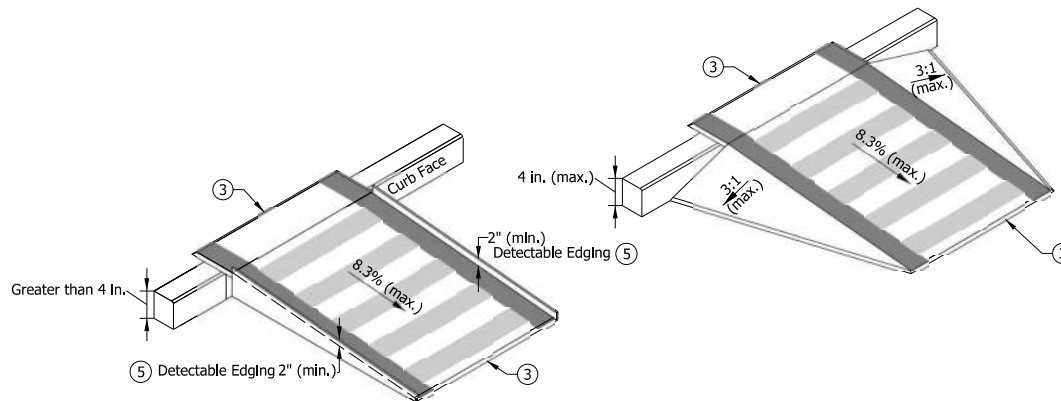
LEGEND

- Work Area
- Pedestrian Detour Direction
- Direction of Traffic
- Audible Information Device (when specified)
- Sign (shown facing right)
- Traffic or Pedestrian Signal
- Temporary Pedestrian Channelizer
- Pedestrian Detour Route

INDIANA DEPARTMENT OF TRANSPORTATION	
PEDESTRIAN DETOUR MIDBLOCK CLOSURE	
SEPTEMBER 2024	
STANDARD DRAWING NO. E 801-TPAR-06	
	<p><i>David H. Boruff</i> 4/26/2024 DESIGN STANDARDS ENGINEER DATE</p> <p><i>[Signature]</i> 05/13/2024 CHIEF ENGINEER DATE</p>



Temporary Curb Ramp - Parallel to Curb



Temporary Curb Ramp - Perpendicular to Curb

NOTES:

1. Water flow in the gutter system shall be maintained.
2. Lateral joints or gaps between surfaces shall be less than 0.5 in. width.
- ③ Changes in level between surface heights shall not exceed 0.5 in. Lateral edges shall be vertical up to 0.25 in. high, and beveled at 2:1 between 0.25 in. and 0.5 in. in height
4. Handrill shall be provided along a landing area and ramp where the elevation difference between the sidewalk and the street is greater than 6.0 in.
- ⑤ A 2.0 in. detectable edge shall be provided along the entire length of the ramp where the elevation difference between the sidewalk and the street is greater than 4.0 in.
6. The rise of a single temporary curb ramp shall be no more than 30 in. If more than one temporary curb ramp is needed at a location due to the change in elevation, a minimum 5 ft landing area shall be used between curb ramps. The landing area shall have a slope of less than 2.0%.
7. The table below is for common curb heights, the curb ramp length for other curb heights shall be based on having a maximum slope of 12:1.

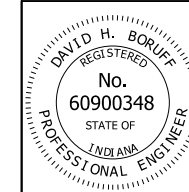
Curb Height (In.)	Minimum Temporary Curb Ramp Length (ft)
3	3
4	4
5	5
6	6

INDIANA DEPARTMENT OF TRANSPORTATION

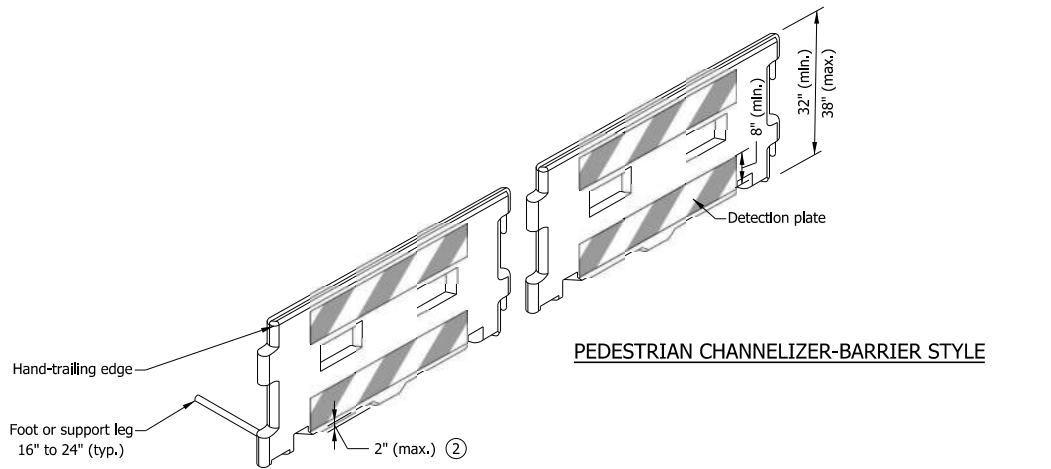
TEMPORARY CURB RAMPS

SEPTEMBER 2024

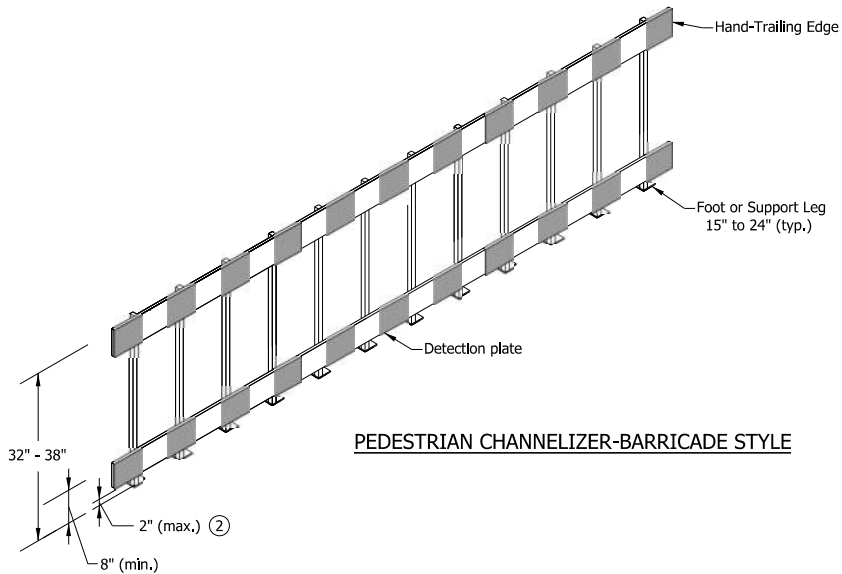
STANDARD DRAWING NO. E 801-TPAR-10



David H. Boruff 4/26/2024
 DESIGN STANDARDS ENGINEER DATE
David H. Boruff 05/13/2024
 CHIEF ENGINEER DATE



PEDESTRIAN CHANNELIZER-BARRIER STYLE



PEDESTRIAN CHANNELIZER-BARRICADE STYLE

NOTES:

1. Ballast shall be located behind or internal to the device. Any support on the front of the device shall not extend into the 48 in. minimum walkway clear space and shall have 0.25 in. max. height above the walkway surface.
- ② Devices shall not block water drainage from the walkway. A gap height or opening from the walkway surface up to 2 in. max. height is allowed for drainage purposes.
3. Type III Barricades shall not be used as pedestrian channelizers.
4. The hand-trailing edge and detection plate shall have alternating orange and white reflective sheeting oriented vertically or at a 45° angle.

INDIANA DEPARTMENT OF TRANSPORTATION	
TEMPORARY PEDESTRIAN CHANNELIZERS	
SEPTEMBER 2024	
STANDARD DRAWING NO. E 801-TPAR-11	
	4/26/2024 DESIGN STANDARDS ENGINEER DATE
	05/13/2024 CHIEF ENGINEER DATE

**RIGHT OF WAY PERMIT**

State Form 41769 (R8 / 5-17)

Approved by State Board of Accounts, 2017

Approved by Auditor of State, 2017

**STATE OF INDIANA
INDIANA DEPARTMENT OF TRANSPORTATION**

Type of Permit:		
<input type="checkbox"/> Occupancy (Above Ground) <input type="checkbox"/> Occupancy (Below Ground) <input type="checkbox"/> Railroad <input checked="" type="checkbox"/> Miscellaneous <input type="checkbox"/> Shared Use		
District	Subdistrict	Telephone number
Laporte		
Project locations: 401 Adams Street (Genesis Parking Garage). Section 3, T-36-N, R-8-W; 4th Avenue to 5th Avenue		Reference pt. number 13.61
Project description: Demolition of 401 Adams Street (Genesis Parking Garage). Lane Closure and pedestrian detour Westbound and Eastbound Lane of US-20/12		
Project purpose: MOT for the demolition of 401 Adams Street		
Bond required: <input type="checkbox"/> Yes <input checked="" type="checkbox"/> No	If Yes, Penal Sum \$	Bond number
PERMIT FEE: (Make check or bank draft payable to "Indiana Department of Transportation") Fee amounts per IC 8-23-2-6(13); fee schedule address: http://www.in.gov/indot/2727.htm		\$ 0
SPECIAL PROVISIONS: THE APPLICANT AGREES TO INDEMNIFY, DEFEND, EXCULPATE, AND HOLD HARMLESS THE STATE OF INDIANA, ITS OFFICIALS AND EMPLOYEES FROM ANY LIABILITY DUE TO LOSS, DAMAGE, INJURIES, OR OTHER CASUALTIES OF WHATSOEVER KIND, OR BY WHOMSOEVER CAUSED, TO THE PERSON OR PROPERTY OF ANYONE ON OR OFF THE RIGHT-OF-WAY ARISING OUT OF, OR RESULTING FROM THE ISSUANCE OF THIS PERMIT OR THE WORK CONNECTED THEREWITH, OR FROM THE INSTALLATION, EXISTENCE, USE, MAINTENANCE, CONDITIONS, REPAIRS, ALTERATION, OR REMOVAL OF ANY EQUIPMENT OR MATERIAL, WHETHER DUE IN WHOLE OR IN PART TO THE NEGLIGENT ACTS OR OMISSIONS (1) OF THE STATE, ITS OFFICIALS, AGENTS, OR EMPLOYEES; OR (2) OF THE APPLICANT, HIS AGENTS, OR EMPLOYEES, OR OTHER PERSONS ENGAGED IN THE PERFORMANCE OF THE WORK, OR (3) THE JOINT NEGLIGENCE OF ANY OF THEM; INCLUDING ANY CLAIMS ARISING OUT OF THE WORKMEN'S COMPENSATION ACT OR ANY OTHER LAW, ORDINANCE, ORDER, OR DECREE. THE APPLICANT ALSO AGREES TO PAY ALL REASONABLE EXPENSES AND ATTORNEY'S FEES INCURRED BY OR IMPOSED ON THE STATE IN CONNECTION HERewith IN THE EVENT THAT THE APPLICANT SHALL DEFAULT UNDER THE PROVISIONS OF THIS PARAGRAPH.		
Signature of permit applicant		Printed name of permit applicant William Allen
Name of company organization City of Gary		Telephone number (219) 881-1310 Ext.
Address (number and street, city, state, ZIP code) 401 Broadway Gary, IN 48202		
Inspector Guadalupe Benoit		
District Regulatory Supervisor -		
District Director		

Application number
T0000212851Road number
US 12County number
LakeExpiration date
04/23/2027Issue date
04/23/2026Permit number
E26LM10049



RIGHT OF WAY PERMIT

ADDITIONAL SPECIAL PROVISIONS

**STATE OF INDIANA
INDIANA DEPARTMENT OF TRANSPORTATION**

Please contact your Permit Inspector at least five (5) business days before any work is to be performed.

It is the responsibility of the permittee to verify all temporary pedestrian access routes are compliant with INDOT and PROWAG Standards prior to signing the detour. Please refer to INDOT Standard Drawings for details regarding INDOT Standards. If you have any questions please reach out to your permit investigator at any time.

Please note the "811" locate system does NOT cover INDOT related equipment in State right-of-way. Please contact 219-939-3650 or 219-325-7581 to obtain INDOT locates prior to an excavation of State right-of-way. Failure to do so could cause a loss to your performance bond if INDOT equipment and/or assets are damaged during work activity.

The permittee for himself, his heirs, personal reps, successors in interest and assigns, as part of the consideration hereof, does hereby covenant and agree that in the event facilities are constructed, maintained or otherwise operated on the said property described in this permit for a purpose for which a Department of Transportation program or activity is extended or for another purpose involving the provision of similar services or benefits, the permittee shall maintain and operate such facilities and services in compliance with all other requirements imposed pursuant to Title 49, code of Federal Regulations, Department of Transportation, Subtitle A, Office of the Secretary, Part 21, Nondiscrimination in Federally-assisted programs of the Department of Transportation- Effectuation of Title VI of the Civil Rights Act of 1964, and as said regulations may be amended.

That in the event of breach of any of the above nondiscrimination covenants, INDOT shall have the right to terminate the permit and to re-enter and repossess said land and the facilities thereon, then hold the same as if said permit had never been made or issued.

Application number

T0000212851

Road number

US 12

County number

Lake

Expiration date

4/23/2027

Issue date

4/23/2026

Permit number

E26LM10049



INDIANA DEPARTMENT OF TRANSPORTATION

100 North Senate Avenue
Room N758
Indianapolis, Indiana 46204

PHONE: (855) 463-6848

Eric Holcomb, Governor
Michael Smith, Commissioner

GENERAL PROVISIONS MISCELLANEOUS PERMITS

PRE-WORK REQUIREMENTS

1. In accordance with the notice requirements of Indiana Code 4-21.5, any objection to the conditions and provisions of an approved permit must be submitted in writing to INDOT with fifteen (15) days from the issue date.
2. Permittee shall notify INDOT five (5) business days preceding the beginning of any work activity.
3. Permittee shall neither disturb nor manipulate any existing traffic control devices. Permittee shall contact the Signal Technician at the appropriate District Office listed below at least five (5) days prior to doing work in the right-of-way that will affect any existing traffic control devices. Any damages to a traffic control device shall be repaired immediately at Permittee's expense by an INDOT prequalified contractor.
4. All existing utilities and other underground facilities such as traffic signal appurtenances must be located prior to commencing excavation.
5. Approval of the permit application shall be subject to Permittee obtaining all necessary authorizations from federal, state, and local authorities and complying with all applicable laws, rules, and regulations. The issuance of the permit shall in no way imply INDOT approval of or be intended to influence any action pending before a federal, state, or local board, commission, or agency. Failure to comply may result in revocation of the permit.
6. All work on highway right-of-way authorized by this permit must be completed within one (1) year after the permit is issued. Once construction authorized by the permit is initiated it must be completed within one-hundred eighty (180) days, unless otherwise expressly approved as a special condition.
7. The permit is valid through the stated expiration date. If work is not completed within the allotted time, the permit is automatically cancelled unless an extension is requested prior to the expiration date and said request is approved by INDOT. If a permit is cancelled, a new application must be submitted and approved before the proposed work can be accomplished.
8. INDOT makes no representations, warranties, or assurances regarding the validity or enforceability of any public right-of-way or other land rights ascribed to INDOT. It is the permittee's responsibility to perform any and all research and investigation necessary to evaluate public right-of-way to be used by way of this permit, if applicable.



INDIANA DEPARTMENT OF TRANSPORTATION

100 North Senate Avenue
Room N758
Indianapolis, Indiana 46204

PHONE: (855) 463-6848

Eric Holcomb, Governor
Michael Smith, Commissioner

TRAFFIC AND SAFETY

9. Permittee shall erect and maintain all necessary signs, barricades, detour signs, and warning devices required to safely direct traffic over or around the part of the highway where permitted operations are to be done so long as the work does not interfere with traffic, in accordance with section "VI" of the Indiana Manual of Uniform Traffic Control Devices.
10. Permittee shall adhere to the Maintenance of Traffic plan during construction if such activities require lane closures or traffic restrictions.
11. Permittee shall adhere to traffic control measures found in the most recent version of the Indiana Manual on Uniform Traffic Control Devices, as currently adopted by INDOT.
12. Permittee shall construct and maintain the Site pursuant to INDOT's Standard Specifications to protect the highway's safety, structural integrity, and appearance. Permittee shall not cause unreasonable interference with highway use.
13. The permitted operation shall be allowed on state-owned or controlled right-of-way only between sunrise and sunset unless specifically allowed by an additional special provision to this permit. In accordance with 105 I.A.C. 7-1-26, no work may be performed at times associated with the following holidays:
 - a. New Year's Day
 - b. Memorial Day
 - c. Independence Day
 - d. Labor Day
 - e. Thanksgiving
 - f. Christmas

during the period beginning at 12:00 noon on the last weekday preceding the holiday and continuing until sunrise on the first weekday following the holiday.

QUALITY OF WORK

14. Permittee shall follow all guidelines, policies, and procedures in the Permit Manual.
15. Work shall be performed in accordance with the attached plans.
16. Permittee shall cause all work to be performed in a good and workmanlike manner.
17. All work described in the permit shall be subject to the inspection of INDOT and Permittee shall adjust or stop operations upon direction of any police officer or INDOT employee.
18. Permittee shall have the permit, complete with drawings and special provisions, in their possession during work operations and will show said permit, on demand, to any police officer or authorized INDOT employee.
19. The permitted operations shall not interfere with any existing structure on INDOT right-of-way without specific permission, in writing, from INDOT. If any buildings, railings, traffic control devices, or other structures are damaged, said cost of the removal and or damage shall be borne by Permittee.



INDIANA DEPARTMENT OF TRANSPORTATION

100 North Senate Avenue
Room N758
Indianapolis, Indiana 46204

PHONE: (855) 463-6848

Eric Holcomb, Governor
Michael Smith, Commissioner

20. Permittee shall at all times protect the pavement surface and right-of-way from damage due to the use of heavy equipment, and shall provide and use approved pads, planks, or dirt cushion to protect against other damage. Immediately before any section of the highway is to be placed back in used for traffic, Permittee shall remove all excess dirt and sweep pavement surface to eliminate unnecessary dust hazards.
21. Drainage on shoulders, ditches, or otherwise on the right-of-way shall not be obstructed. Appropriate control measures shall be followed to protect the right-of-way from erosion.
22. If at any time in the future, this installation should become damaged due to normal maintenance or roadwork by INDOT, Permittee shall be responsible for all repairs and cost of repairs that may arise from such damage.
23. Work within the sodded areas of the right-of-way shall not be performed during wet periods. Any damage to the sodded areas of the right-of-way must be repaired and properly seeded.
24. No trees or plants on the right-of-way of any interstate, federal highway, or state highway shall be trimmed or removed without written permission from INDOT.
25. Permittee itself and its heirs, personal representatives, successors in interest, and assigns, as part of the consideration hereof, does hereby covenant and agree that in the event facilities are constructed, maintained, or otherwise operated on the property described in this permit for a purpose for which a Department of Transportation program or activity is extended or for another purpose involving the provisions of similar services or benefits, Permittee shall maintain and operate such facilities and services in compliance with all other requirements imposed pursuant to Title 49, Code of Federal Regulations, Department of Transportation, Subtitle A, office of the Secretary, Part 21 Nondiscrimination in Federally-assisted programs of the Department of Transportation – Effectuation of Title VI of the Civil Rights Act of 1964, Title 23 Code of Federal Regulations, Part 200, Title VI Program and Related Statutes – Implementation and Review Procedures, and as said Regulations may be amended. That in the event of breach of any of the above nondiscrimination covenants, the Indiana Department of Transportation shall have the right to terminate the permit and to re-enter and repossess said land and the facilities thereon, and hold the same as if said permit had never been made or issued.

Permittee itself and its heirs, personal representatives, successors in interest, and assigns, as part of the consideration hereof, does hereby covenant and agree that (1) no person on the ground of race, color, national origin, sex, sexual orientation, gender identity, age, disability, religion, income status, or limited English proficiency shall be excluded from participation in, denied benefits of, or otherwise be subjected to discrimination in the use of said facilities, (2) that in the construction of any improvements on, over or under such land and the furnishing of services thereon, no person on the ground of race, color, national origin, sex, sexual orientation, gender identity, age, disability, religion, income status, or limited English proficiency shall be excluded from participation in, denied benefits of, or otherwise be subjected to discrimination, (3) that Permittee shall use the premises in compliance with all other requirements imposed by or pursuant to Title 49, Code of Federal Regulations, Department of Transportation, Subtitle A, office of the Secretary, Part 21 Nondiscrimination in Federally-assisted programs of the Department of Transportation – Effectuation of Title VI of the Civil Rights Act of 1964, Title 23 Code of Federal Regulations, Part 200, Title VI Program and Related Statutes – Implementation and Review Procedures, and as said Regulations may be amended. That in the event of breach of any of the above nondiscrimination covenants, the Indiana Department of Transportation shall have the right to terminate the permit and to re-enter and repossess said land and the facilities thereon and hold the same as if said permit had never been made or issued.



INDIANA DEPARTMENT OF TRANSPORTATION

100 North Senate Avenue
Room N758
Indianapolis, Indiana 46204

PHONE: (855) 463-6848

Eric Holcomb, Governor
Michael Smith, Commissioner

POST-WORK REQUIREMENTS

26. Permittee shall notify INDOT that the work is complete, and this notice is to be provided within seven (7) calendar days from completion of all work on this Permit.
27. Within seven (7) days after a new installation or repair to an existing installation is performed, all excess dirt or obstructions caused by the installation or repair must be removed and the area must be restored to a condition by Permittee so as not to interfere with mowing the highway right-of-way.

INDEMNIFICATION

28. Permittee agrees to indemnify, defend, save, and hold harmless the Indiana Department of Transportation (INDOT), the State of Indiana, and their officers, employees, agents, representatives, successors, and assigns from all claims (including costs and expenses of defending against such claims, including attorney fees) arising from any act or omission of Permittee or Permittee's agents, employees, or contractors relating to this Permit or breach of any provision of this Permit by Permittee or Permittee's agents, employees, or contractors. Indemnification shall not be limited by reason of any insurance coverage. Neither INDOT nor the State of Indiana shall provide indemnification to Permittee. Permittee understands and agrees that the obligations contained in this special provision shall survive expiration or termination of the Permit.

REVOCAION OF PERMIT

29. Failure to comply with the Permit Manual and the General Provisions of the Permit shall result in revocation of the Permit.

INDIANA DEPARTMENT OF TRANSPORTATION DISTRICT OFFICES

Crawfordsville District
41 W 300 North
Crawfordsville, IN 47933

Fort Wayne District
5333 Hatfield Road
Fort Wayne, IN 46808

Greenfield District
32 S Broadway
Greenfield, IN 46140

LaPorte District
315 E Boyd Blvd
LaPorte, IN 46350

Seymour District
185 Agrico Lane
Seymour, IN 47274

Vincennes District
3650 US 41 South
Vincennes, IN 47591

INDOT Transportation Services Phone Number: (855) 463-6848



DEMOLITION COMPLIANCE AGREEMENT

This agreement is entered into between Gary Storm Water Management Department (GSWMD) and the undersigned contractor for the demolition project located at:

The contractor agrees to comply with all applicable federal, state, and local laws and regulations governing storm water, environmental protection, and public safety as listed below.

- **Pollution Prevention:** The contractor shall implement appropriate Best Management Practices (BMPs) to prevent pollution of storm water systems, waterways, and public property.
- **Utility Disconnection:** All sewer and storm connections shall be properly capped before demolition begins. Required inspections must be completed and approved prior to the commencement of work. No unauthorized discharge into storm or sanitary systems is permitted.
- **Debris Control:** Debris shall be kept off public streets, sidewalks, and adjacent properties during demolition. Street must be cleaned as necessary throughout construction. Final cleanup shall ensure no debris remains in public rights-of-way. Track-out from the site onto public streets must be prevented.
- **Drain Protection:** All nearby storm drains must be protected prior to the start of demolition. Approved drain protection devices (filters, filter baskets, silt sacks, or equivalent BMPs) shall be installed and maintained. Drain protection shall remain in place for the duration of the project. No material shall be swept, washed, or blown into storm drains.
- **Dust and Debris Suppression:** Demolition debris shall be wetted as necessary to control dust. Water used for dust suppression shall not be allowed to enter storm drains. Airborne particulates must be minimized in accordance with applicable air quality standards.
- **Erosion and Sediment Control:** The Contractor shall:
 - Install and maintain erosion and sediment control measures around the project site, including silt fencing, sediment barriers, inlet protection, and stabilized construction entrances.
 - Prevent sediment from leaving the project site.
- **Spill Prevention and Hazardous Materials:** Fuel, oils, and chemicals must be properly stored with secondary containment. Spill kits shall be available on-site at all times. Any spill must be immediately contained and cleaned. Spills entering the storm system must be reported immediately to GSWMD and appropriate regulatory authorities. The contractor is responsible for all cleanup and remediation costs.

ADMINISTRATIVE OFFICE

3600 West 3rd Avenue, Gary, IN 46406
Tel: 219-944-0595 | Fax: 219-977-8318

CUSTOMER SERVICE OFFICE

504 Broadway, Suite 103, Gary, IN 46402
Tel: 219-883-1027 | Fax: 219-883-1029

MAYOR EDDIE D. MELTON



RAGEN HATCHER
Executive Director

AN EQUAL OPPORTUNITY EMPLOYER
www.garysanitary.com

- **Waste Disposal:** All demolition waste must be disposed of at approved facilities. No burning, burying, or illegal dumping is permitted. Hazardous or regulated materials must be handled in accordance with applicable regulations.
- **Inspections and Enforcement:** GSWMD reserves the right to inspect the project site at any time. Non-compliance may result in stop-work orders, fines, permit suspension, or additional corrective action.
- **Compliance with Laws and Permits:** The Contractor shall comply with:
 - All local ordinances and municipal codes.
 - State environmental regulations.
 - The Clean Water Act and applicable storm water provisions.

For further information or clarification regarding these requirements, contact:

Gary Storm Water Management District (GSWMD)
219-944-1211 ext. (1237)
ktun@garysan.gov

Contractor Acknowledgement:

I acknowledge that I have read, understand, and agree to comply with the above compliance requirements for demolition activities.

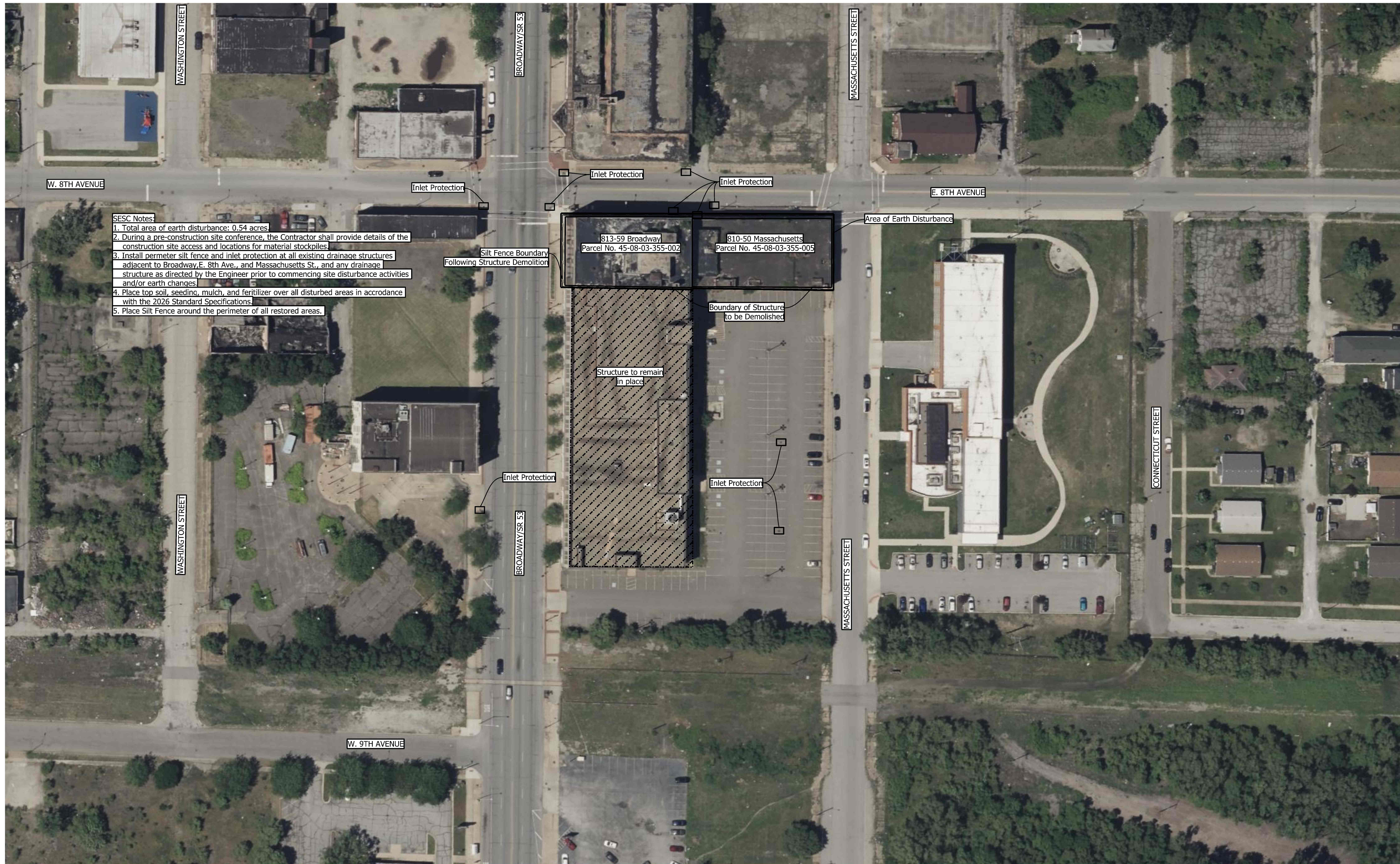
Contractor Signature:

Date:

Contractor / Company Name:

ADMINISTRATIVE OFFICE
3600 West 3rd Avenue, Gary, IN 46406
Tel: 219-944-0595 | Fax: 219-977-8318

CUSTOMER SERVICE OFFICE
504 Broadway, Suite 103, Gary, IN 46402
Tel: 219-883-1027 | Fax: 219-883-1029



- SESC Notes**
1. Total area of earth disturbance: 0.54 acres
 2. During a pre-construction site conference, the Contractor shall provide details of the construction site access and locations for material stockpiles.
 3. Install perimeter silt fence and inlet protection at all existing drainage structures adjacent to Broadway, E. 8th Ave., and Massachusetts St., and any drainage structure as directed by the Engineer prior to commencing site disturbance activities and/or earth changes.
 4. Place top soil, seeding, mulch, and fertilizer over all disturbed areas in accordance with the 2026 Standard Specifications.
 5. Place Silt Fence around the perimeter of all restored areas.

Legend

□	Inlet Protection
—SF—	Silt Fence

RECOMMENDED FOR APPROVAL _____	DESIGN ENGINEER _____	DATE _____
DESIGNED: TC _____	DRAWN: TC _____	
CHECKED: XXX _____	CHECKED: XXX _____	

**NORTHWEST INDIANA
 REGIONAL DEVELOPMENT AUTHORITY**

**SOIL EROSION AND SEDIMENT CONTROL PLAN
 810-50 MASSACHUSETTS STREET
 AND 813-59 BROADWAY**

HORIZONTAL SCALE 1" = 50'	BRIDGE FILE N.A.
VERTICAL SCALE	DESIGNATION N.A.
SURVEY BOOK ELECTRONIC	SHEETS 1 of 1
CONTRACT N.A.	PROJECT XXXXXX



INDIANA DEPARTMENT OF ENVIRONMENTAL MANAGEMENT

100 N. Senate Avenue • Indianapolis, IN 46204

Construction Stormwater Permit Summary Report – Sufficiency Letter

October 2, 2025

Permit #: **INRA16849**

Gary Commercial Blight Elimination Program

Lake County

SITE DETAILS:

Project Name: **Gary Commercial Blight Elimination Program - 810 Massachusetts Street**

Physical Address: 810-50 Massachusetts St Gary, IN 46402

Permit Status: **In Effect**

Permit Issued: **9/26/2025**

Latitude: 41.595868

Permit Expiration: **9/25/2030**

Longitude: -87.336096

MS4: City of Gary Owned

Location Description: 810-50 Massachusetts Street , Gary, IN 46402

CONTACTS:

Project Site Owner (Permittee): Corrie Anne Sharp Phone: **219-343-4845**

Address: 401 Broadway STE 303 Gary, IN, 46402 Email: csharp@gary.gov

PROJECT DETAILS

Project Type: **Commercial Structure Demolition** Project County(s): Lake Lake

Site Ownership Type: **Municipality**

Total Project

Acreage: **0.27**

Proposed Land

Disturbance (acres): **0.27**

Estimated Impervious

Area (sq ft): **0**

Est Start Date: **12/1/2025**

Est End Date: **12/31/2026**

Discharge Type: **Surface Water**

Storm System:

Receiving Stream: **Grand Calumet River (3369)**

Waterbody 2:

This notice is acceptable to be posted at the project site to verify NPDES permit coverage. If the project is regulated by a Municipal Separate Storm Sewer System (MS4), you are required to post additional information as required by the MS4 that has jurisdiction (i.e. MS4 Permit, etc). NPDES permit coverage does not supersede local requirements that may be required to conduct activities associated with this project.

If the project is regulated by an MS4, direct inquiries to the local MS4.

If this project is outside an MS4 or owned/operated by an MS4, inquiries may be directed to the IDEM Stormwater Program at Stormwat@idem.IN.gov.

IDEM Watermark
INRA16849 v1.0
Approved
Issued On:09/26/2025
Expires On:09/25/2030

The Notice of Intent (NOI) submitted online is your certification that the project meets the requirements of the construction stormwater general permit (INRA00000). The NOI is submitted to obtain NPDES permit coverage for the proposed activities at the project site and does not constitute approval to conduct activities that are related to other local, state, or federal permits.

If information is not accurate it is the responsibility of the permittee to update the information. If it is determined that information is inaccurate or deficient you may be requested to address those items.

If the project is within a Municipal Separate Storm Sewer System (MS4) and regulated by the MS4, the Construction/Stormwater Pollution Prevention Plan (SWP3) review was completed by the MS4 or their representative and verification by the MS4 was part of the application submission. All MS4 stormwater approvals must be obtained prior to beginning land disturbance at the project site. Once construction begins, the MS4 has primary responsibility for compliance and enforcement of stormwater regulations within their local jurisdiction.

A National Pollutant Discharge Elimination System (NPDES) authorization number is assigned to each project for which an NOI has been submitted to obtain permit coverage. This number is used as a reference for the project and must be included with any future correspondence submitted to IDEM.

It is important that all activities associated with your project are in compliance with the requirements of the Construction Stormwater General Permit (CSGP) and where applicable all local MS4 ordinances/stormwater permits. In accordance with the CSGP, you are required, at a minimum to implement your SWP3, implement and maintain all stormwater management measures, monitor the effectiveness of the measures and take corrective actions until the project is complete and terminated. To maintain compliance, it may be necessary to modify the SWP3 as work progresses.

Upon completion of the project, you are required to terminate permit coverage. Criteria for termination eligibility can be found in Section 6.0 of the CSGP. If this project is permitted through an MS4, there may be local requirements/approvals that must be met prior to filing a notice of termination with IDEM. If an MS4 has adopted a requirement for termination, you are responsible to comply with all local provisions prior to submitting the Notice of Termination to IDEM. Failure to meet local MS4 requirements may constitute a violation of the local MS4 ordinance.

- **Construction Stormwater General Permit:** Accessed at <http://www.idem.IN.gov/2331.htm>
- **IDEM Regulatory ePortal:** Permittees are required to utilize this service to manage their IDEM Construction Stormwater General Permit activities (Renewals, Amendments, and Terminations). The service may be accessed at <https://stormwater.idem.in.gov>.

Questions regarding this notification may be directed to the program email account at Stormwat@idem.IN.gov.

Notice of Right to Administrative Review

If you wish to challenge this authorization you must file a Petition for Administrative Review with the Office of Environmental Adjudication (OEA) within fifteen (15) days of the issuance of this notice (eighteen (18) days if you received this notice by U.S. Mail), and a copy must be served upon IDEM and all persons to whom the authorization is directed. The requirements for filing a Petition for Administrative Review are found in IC 4-21.5-3-7, IC 13-15-6-1, IC 13-15-6-2 and 315 IAC 1-3-2. Addresses for OEA and IDEM are:

Director
Office of Environmental Adjudication
Indiana Government Center North
Room N103
100 North Senate Avenue
Indianapolis, Indiana 46204

Commissioner
Indiana Department of Environmental Management
Indiana Government Center North
Room 1301
100 North Senate Avenue
Indianapolis, Indiana 46204

If you are entitled to notice under IC 4-21.5-3-5(b) and would like to obtain notices of any pre-hearing conferences, preliminary hearings, hearings, stays, or orders disposing of the review of this action without intervening in the proceeding you must submit a written request to OEA at the address above.

More information on the review process is available at the OEA website at <http://www.in.gov/oea> and the IDEM website at <https://www.in.gov/idem/legal/2329.htm>.



INDIANA DEPARTMENT OF ENVIRONMENTAL MANAGEMENT

100 N. Senate Avenue • Indianapolis, IN 46204

Construction Stormwater Permit Summary Report – Sufficiency Letter

October 2, 2025

Permit #: **INRA16850**

Gary Commercial Blight Elimination Program

Lake County

SITE DETAILS:

Project Name: **Gary Commercial Blight Elimination Program - 813 Broadway**

Physical Address: 813-59 Broadway Gary, IN 46402

Permit Status: **In Effect**

Permit Issued: **9/26/2025**

Latitude: 41.59606110000001

Permit Expiration: **9/25/2030**

Longitude: -87.336619

MS4: City of Gary Owned

Location Description: 813-59 Broadway , Gary, IN 46402

CONTACTS:

Project Site Owner (Permittee): Corrie Anne Sharp Phone: **219-343-4845**

Address: 401 Broadway STE 303 Gary, IN, 46402 Email: csharp@gary.gov

PROJECT DETAILS

Project Type: **Commercial Structure Demolition** Project County(s): Lake Lake

Site Ownership Type: **Municipality**

Total Project

Acreage: **0.27**

Proposed Land

Disturbance (acres): **0.27**

Estimated Impervious

Area (sq ft): **0**

Est Start Date: **12/1/2025**

Est End Date: **12/31/2026**

Discharge Type: **Surface Water**

Storm System:

Receiving Stream: **Grand Calumet River (3369)**

Waterbody 2:

This notice is acceptable to be posted at the project site to verify NPDES permit coverage. If the project is regulated by a Municipal Separate Storm Sewer System (MS4), you are required to post additional information as required by the MS4 that has jurisdiction (i.e. MS4 Permit, etc). NPDES permit coverage does not supersede local requirements that may be required to conduct activities associated with this project.

If the project is regulated by an MS4, direct inquiries to the local MS4.

If this project is outside an MS4 or owned/operated by an MS4, inquiries may be directed to the IDEM Stormwater Program at Stormwat@idem.IN.gov.

IDEM Watermark
INRA16850 v1.0
Approved
Issued On:09/26/2025
Expires On:09/25/2030

The Notice of Intent (NOI) submitted online is your certification that the project meets the requirements of the construction stormwater general permit (INRA00000). The NOI is submitted to obtain NPDES permit coverage for the proposed activities at the project site and does not constitute approval to conduct activities that are related to other local, state, or federal permits.

If information is not accurate it is the responsibility of the permittee to update the information. If it is determined that information is inaccurate or deficient you may be requested to address those items.

If the project is within a Municipal Separate Storm Sewer System (MS4) and regulated by the MS4, the Construction/Stormwater Pollution Prevention Plan (SWP3) review was completed by the MS4 or their representative and verification by the MS4 was part of the application submission. All MS4 stormwater approvals must be obtained prior to beginning land disturbance at the project site. Once construction begins, the MS4 has primary responsibility for compliance and enforcement of stormwater regulations within their local jurisdiction.

A National Pollutant Discharge Elimination System (NPDES) authorization number is assigned to each project for which an NOI has been submitted to obtain permit coverage. This number is used as a reference for the project and must be included with any future correspondence submitted to IDEM.

It is important that all activities associated with your project are in compliance with the requirements of the Construction Stormwater General Permit (CSGP) and where applicable all local MS4 ordinances/stormwater permits. In accordance with the CSGP, you are required, at a minimum to implement your SWP3, implement and maintain all stormwater management measures, monitor the effectiveness of the measures and take corrective actions until the project is complete and terminated. To maintain compliance, it may be necessary to modify the SWP3 as work progresses.

Upon completion of the project, you are required to terminate permit coverage. Criteria for termination eligibility can be found in Section 6.0 of the CSGP. If this project is permitted through an MS4, there may be local requirements/approvals that must be met prior to filing a notice of termination with IDEM. If an MS4 has adopted a requirement for termination, you are responsible to comply with all local provisions prior to submitting the Notice of Termination to IDEM. Failure to meet local MS4 requirements may constitute a violation of the local MS4 ordinance.

- **Construction Stormwater General Permit:** Accessed at <http://www.idem.IN.gov/2331.htm>
- **IDEM Regulatory ePortal:** Permittees are required to utilize this service to manage their IDEM Construction Stormwater General Permit activities (Renewals, Amendments, and Terminations). The service may be accessed at <https://stormwater.idem.in.gov>.

Questions regarding this notification may be directed to the program email account at Stormwat@idem.IN.gov.

Notice of Right to Administrative Review

If you wish to challenge this authorization you must file a Petition for Administrative Review with the Office of Environmental Adjudication (OEA) within fifteen (15) days of the issuance of this notice (eighteen (18) days if you received this notice by U.S. Mail), and a copy must be served upon IDEM and all persons to whom the authorization is directed. The requirements for filing a Petition for Administrative Review are found in IC 4-21.5-3-7, IC 13-15-6-1, IC 13-15-6-2 and 315 IAC 1-3-2. Addresses for OEA and IDEM are:

Director
Office of Environmental Adjudication
Indiana Government Center North
Room N103
100 North Senate Avenue
Indianapolis, Indiana 46204

Commissioner
Indiana Department of Environmental Management
Indiana Government Center North
Room 1301
100 North Senate Avenue
Indianapolis, Indiana 46204

If you are entitled to notice under IC 4-21.5-3-5(b) and would like to obtain notices of any pre-hearing conferences, preliminary hearings, hearings, stays, or orders disposing of the review of this action without intervening in the proceeding you must submit a written request to OEA at the address above.

More information on the review process is available at the OEA website at <http://www.in.gov/oea> and the IDEM website at <https://www.in.gov/idem/legal/2329.htm>.



SESC Notes

1. Total area of earth disturbance: 4.6 acres
2. During a pre-construction site conference, the Contractor shall provide details of the construction site access and locations for material stockpiles.
3. Install perimeter silt fence and inlet protection at all existing drainage structures adjacent to Adams St., W. 4th Ave., Washington St., and 5th Ave., and any drainage structure as directed by the Engineer prior to commencing site disturbance activities and/or earth changes.
4. Place top soil, seeding, mulch, and fertilizer over all disturbed areas in accordance with the 2026 Standard Specifications.
5. Place Silt Fence around the perimeter of all restored areas.

Legend

- Inlet Protection
- SF— Silt Fence

RECOMMENDED FOR APPROVAL _____	DESIGN ENGINEER _____	DATE _____
DESIGNED: TC _____	DRAWN: TC _____	
CHECKED: XXX _____	CHECKED: XXX _____	

**NORTHWEST INDIANA
REGIONAL DEVELOPMENT AUTHORITY**

**SOIL EROSION AND SEDIMENT CONTROL PLAN
401 ADAMS STREET**

HORIZONTAL SCALE 1" = 50'	BRIDGE FILE N.A.
VERTICAL SCALE	DESIGNATION N.A.
SURVEY BOOK ELECTRONIC	SHEETS 1 of 1
CONTRACT N.A.	PROJECT XXXXXX



INDIANA DEPARTMENT OF ENVIRONMENTAL MANAGEMENT

100 N. Senate Avenue • Indianapolis, IN 46204

Construction Stormwater Permit Summary Report – Sufficiency Letter

October 2, 2025

Permit #: **INRA16848**

Gary Commercial Blight Elimination Program

Lake County

SITE DETAILS:

Project Name: **Gary Commercial Blight Elimination Program - 401 Adams Street**

Physical Address: 401 Adams St Gary, IN 46402

Permit Status: **In Effect**

Permit Issued: **9/26/2025**

Latitude: 41.60365780000001

Permit Expiration: **9/25/2030**

Longitude: -87.33938710000001

MS4: City of Gary Owned

Location Description: 401 Adams Street , Gary, IN 46402

CONTACTS:

Project Site Owner (Permittee): Corrie Anne Sharp Phone: **219-343-4845**

Address: 401 Broadway STE 303 Gary, IN, 46402 Email: csharp@gary.gov

PROJECT DETAILS

Project Type: **Commercial Demolition**

Project County(s): Lake Lake

Site Ownership Type: **Municipality**

Total Project

Proposed Land

Estimated Impervious

Acreage: **4.6**

Disturbance (acres): **4.6**

Area (sq ft): **0**

Est Start Date: **12/1/2025**

Est End Date: **12/31/2026**

Discharge Type: **Surface Water**

Storm System:

Receiving Stream: **Grand Calumet River (3369)**

Waterbody 2:

This notice is acceptable to be posted at the project site to verify NPDES permit coverage. If the project is regulated by a Municipal Separate Storm Sewer System (MS4), you are required to post additional information as required by the MS4 that has jurisdiction (i.e. MS4 Permit, etc). NPDES permit coverage does not supersede local requirements that may be required to conduct activities associated with this project.

If the project is regulated by an MS4, direct inquiries to the local MS4.

If this project is outside an MS4 or owned/operated by an MS4, inquiries may be directed to the IDEM Stormwater Program at Stormwat@idem.IN.gov.

IDEM Watermark
INRA16848 v1.0
Approved
Issued On:09/26/2025
Expires On:09/25/2030

The Notice of Intent (NOI) submitted online is your certification that the project meets the requirements of the construction stormwater general permit (INRA00000). The NOI is submitted to obtain NPDES permit coverage for the proposed activities at the project site and does not constitute approval to conduct activities that are related to other local, state, or federal permits.

If information is not accurate it is the responsibility of the permittee to update the information. If it is determined that information is inaccurate or deficient you may be requested to address those items.

If the project is within a Municipal Separate Storm Sewer System (MS4) and regulated by the MS4, the Construction/Stormwater Pollution Prevention Plan (SWP3) review was completed by the MS4 or their representative and verification by the MS4 was part of the application submission. All MS4 stormwater approvals must be obtained prior to beginning land disturbance at the project site. Once construction begins, the MS4 has primary responsibility for compliance and enforcement of stormwater regulations within their local jurisdiction.

A National Pollutant Discharge Elimination System (NPDES) authorization number is assigned to each project for which an NOI has been submitted to obtain permit coverage. This number is used as a reference for the project and must be included with any future correspondence submitted to IDEM.

It is important that all activities associated with your project are in compliance with the requirements of the Construction Stormwater General Permit (CSGP) and where applicable all local MS4 ordinances/stormwater permits. In accordance with the CSGP, you are required, at a minimum to implement your SWP3, implement and maintain all stormwater management measures, monitor the effectiveness of the measures and take corrective actions until the project is complete and terminated. To maintain compliance, it may be necessary to modify the SWP3 as work progresses.

Upon completion of the project, you are required to terminate permit coverage. Criteria for termination eligibility can be found in Section 6.0 of the CSGP. If this project is permitted through an MS4, there may be local requirements/approvals that must be met prior to filing a notice of termination with IDEM. If an MS4 has adopted a requirement for termination, you are responsible to comply with all local provisions prior to submitting the Notice of Termination to IDEM. Failure to meet local MS4 requirements may constitute a violation of the local MS4 ordinance.

- **Construction Stormwater General Permit:** Accessed at <http://www.idem.IN.gov/2331.htm>
- **IDEM Regulatory ePortal:** Permittees are required to utilize this service to manage their IDEM Construction Stormwater General Permit activities (Renewals, Amendments, and Terminations). The service may be accessed at <https://stormwater.idem.in.gov>.

Questions regarding this notification may be directed to the program email account at Stormwat@idem.IN.gov.

Notice of Right to Administrative Review

If you wish to challenge this authorization you must file a Petition for Administrative Review with the Office of Environmental Adjudication (OEA) within fifteen (15) days of the issuance of this notice (eighteen (18) days if you received this notice by U.S. Mail), and a copy must be served upon IDEM and all persons to whom the authorization is directed. The requirements for filing a Petition for Administrative Review are found in IC 4-21.5-3-7, IC 13-15-6-1, IC 13-15-6-2 and 315 IAC 1-3-2. Addresses for OEA and IDEM are:

Director
Office of Environmental Adjudication
Indiana Government Center North
Room N103
100 North Senate Avenue
Indianapolis, Indiana 46204

Commissioner
Indiana Department of Environmental Management
Indiana Government Center North
Room 1301
100 North Senate Avenue
Indianapolis, Indiana 46204

If you are entitled to notice under IC 4-21.5-3-5(b) and would like to obtain notices of any pre-hearing conferences, preliminary hearings, hearings, stays, or orders disposing of the review of this action without intervening in the proceeding you must submit a written request to OEA at the address above.

More information on the review process is available at the OEA website at <http://www.in.gov/oea> and the IDEM website at <https://www.in.gov/idem/legal/2329.htm>.

NORTHWEST INDIANA
REGIONAL DEVELOPMENT AUTHORITY

SPECIAL PROVISION
FOR
COMMERCIAL BUILDING AND PROPERTY IMPROVEMENTS REMOVAL

1 of 5

a. Description. This work consists of all labor, materials, and equipment to remove all improvements including but not limited to commercial buildings and other structures, loading docks, refuse collection areas, gates, slabs, posts, flag poles, signs, yard lights, fences (including but not limited to wire mesh, wood, steel ornamental), parking bumpers, steps, planters, poles, sprinkler systems, all trees and shrubs, trash or brush piles, decks or patios, all concrete walkways leading off the sidewalk, footings, rubble and debris or other appurtenant items from the parcel listed in the Project Log unless otherwise specified in the contract.

Complete this work according to the Standard Specifications, this special provision, the Special Provision for Hazardous and Regulated Materials Removal and Disposal, and as directed by the Engineer. Conform to all local ordinances, rules and regulations, zoning restrictions for building demolition or removal, and all required State of Indiana permits. Leave all parcels in a safe condition with no holes or depressions. Recycle or dispose of all hazardous materials, universal waste and debris in accordance with 104.05 and 104.06 of the Standard Specifications, 40 CFR 61 Subpart M, 40 CFR Part 273, and other applicable federal, state and local laws.

b. Materials. Use B borrow backfill as defined in the Standard Specifications where backfill is required. Backfill material shall be obtained from an INDOT CAPP approved source. All concrete used for bulkheading utilities shall conform to INDOT Class A requirements. Provide topsoil, seed, fertilizer, and mulch blanket materials that meet the requirements of Standard Specification section 914. All materials must be in accordance with the Standard Specifications.

c. Construction. Storing equipment and materials on adjacent property is prohibited without written approval of the Engineer. Plan and perform work to avoid damage to adjacent structures, utilities, and existing features to remain.

Submit INDOT Form IC 203 to the Engineer for approval a minimum of 14 days prior to the removal of any material from the jobsite.

1. Protection of Excavations. Protect open excavations in accordance with 107.14 of the Standard Specifications, if they cannot be backfilled immediately. Place and compact all backfill according to 203.23 of the Standard Specifications. Excavations must be inspected by the Engineer prior to being backfilled and according to the requirements in any issued permits.

2. Underground Storage Tank Removal. If encountered during execution of the work, remove any underground heating oil storage tank or other underground storage tank in

accordance with 202.08. This applies to all tanks whether the location is known or unknown, unless otherwise stated in the Project Log.

3. Clear parcels as indicated by the following code opposite each item in the Detailed Item Descriptions list in the Project Log included in the contract. Contact the Engineer to inspect all basements prior to backfilling.

A. Sub Ground Level (SGL). Remove basement walls, basement floors and all masonry to the basement floor level, unless otherwise stated in the Project Log. Bulkhead all floor drains, sumps, pits or other penetrations in the slab prior to removing the basement floor in accordance with 202.06 of the Standard Specifications. Remove all debris from the parcel, place backfill and grade to ground level.

B. No Basement (NB). Remove walls, slabs and footings. Remove all debris from the parcel, place backfill and grade to ground level. Bulkhead all floor drains, sumps, pits or other penetrations in the slab prior to removing the slab in accordance with 202.06 of the Standard Specifications.

C. Basement Left In Place (BLIP). Remove all basement walls to 1 foot below the adjacent ground level. Place holes that are at least 3 inches in diameter across the entire basement slab in a grid that is a maximum of 10 foot by 10 foot to facilitate drainage, unless other methods are approved by the Engineer. Bulkhead all floor drains, sumps, pits or other penetrations in the basement floor prior to any work on the basement slab in accordance with 202.06 of the Standard Specifications. Remove all debris from the parcel, place backfill and grade to ground level.

4. Landscape Materials. Take possession and dispose of all trees, shrubbery and other landscape materials that must be removed to accommodate the demolition of buildings.

5. Site Restoration. Furnish and place topsoil, seed, fertilizer and mulch blanket according to section 914 of the Standard Specifications. All topsoil shall be free of debris and placed in accordance with 621.03 of the Standard Specifications. Remove and replace sidewalk damaged by the work in accordance with 202.05 and 604.03 of the Standard Specifications. If a curb ramp is damaged it shall be replaced using the most recent ADA standards for curb ramp design and construction.

6. Temporary Fence. When placement of temporary fence is required for a parcel, conform to 107.14 of the Standard Specifications, unless a chain link fence is specified as the temporary fence in the Project Log. When chain link fence is required, conform to subsection 910.18(b) of the Standard Specifications.

7. Upon completion of all demolition work and backfilling, the site must be final graded to be free draining as approved by the Engineer.

8. Utilities. All utility disconnects, except sanitary sewers, will be disconnected by others through coordination by the Engineer. The Engineer will provide verification after the utilities, except sanitary sewers, are disconnected. For basements not left in place, cap all sanitary sewers at the right-of-way line or as directed by the Engineer according to subsection 720.05 of

the Standard Specifications. Gary Sanitary District (GSD) personnel must be present to inspect capping of all sanitary sewer lines. Notify the Engineer a minimum of 24-hours prior to capping of sanitary lines to schedule GSD inspection.

9. Demolition Methods. Keep all building components and debris thoroughly wet during all phases of demolition and debris removal to prevent the release of particulates into the air and to minimize the spread of lead-containing dust, including the application of water during knockdown and load-out.

Procure a consistent water source for the duration of demolition activities. Upon completion of the work, remove all temporary water lines installed. Wetting may include the use of lifting device equipment to ensure proper wetting of higher elevation surfaces prior to and during demolition and/or in cases when the structure is unsafe to enter prior to demolition. Water must be applied directly to the point of impact to maximize dust control. Direct water, use misting nozzles, and utilize erosion control measures to prevent erosion or displacement of soils and discharge of soil-bearing water runoff or settled airborne dust onto adjacent properties, drives and walkways. Do not create hazardous or objectionable conditions, such as ice, flooding, and pollution, when using water.

Use all means necessary to control dust on and near the work and on and near all off-site borrow areas if such dust is caused by the Contractor's operations during performance of the work or if it results from the condition in which the Contractor leaves the site. Use water mist, temporary enclosures, and other suitable methods to prevent the spread of dust and dirt during all demolition activities. During high wind weather conditions (above 25 miles per hour (mph)), limit work activities to those that do not generate fugitive dust and avoid or minimize knockdown and earthwork activities.

The frequency of applying water may be reduced if precipitation events occur or if soil is frozen or snow conditions are present, providing that excess fugitive emissions and dust are not observed. During demolition activities in temperatures below freezing, utilize a mixture of water and/or other suppressant agents approved by the Engineer prior to use. Alternative dust suppressant agents and procedures for their application must be in compliance with the Indiana Department of Environmental Management (IDEM) guidelines.

If a complaint is received by the Engineer, the public or any of the Contractor's staff concerning fugitive dust emissions, the process causing the concern must be halted immediately until the issue is investigated by the Engineer and the Contractor, and a satisfactory resolution can be implemented at no additional cost to the contract.

If the Project Log indicates the commercial structure has been deemed emergency Ordered Demolition per Indiana Code I.C. 36-7-9-9, and Gary City Ordinance 105-724 through 105-728, the Engineer may not perform a Hazardous and Regulated Materials survey. For these structures, treat all materials as asbestos containing materials and transport and dispose of all debris and materials removed at a non-municipal solid waste landfill (Non-MSWLF) with a Variable Source Asbestos Approval or a municipal solid waste landfill if the waste is managed in accordance with [326 IAC 14-10](#) and [329 IAC 10-8.2-4](#), in accordance with all applicable federal, state and local requirements. To the extent practical, identify, characterize, manage, handle,

segregate, contain, remove and dispose of any encountered hazardous materials from the structure to avoid causing a release to the environment.

10. Environmental General Measures. Prior to beginning work on a parcel, meet with the Engineer to review the site and review the available environmental information.

Prior to beginning work on a parcel, develop and provide the Engineer with a Health and Safety Plan (Plan) for each parcel that addresses avoiding exposure to lead. Include the applicable personal protective equipment (PPE) workers must wear. The Plan must require a negative exposure assessment for lead and/or require the appropriate personal protective equipment, when necessary, including but not limited to steel-toed boots, long pants, gloves, safety glasses and a respirator. Provide the Plan to the Engineer for approval. The Engineer will provide comments that must be incorporated into the Plan or will approve the Plan within 7 calendar days. Any additional costs associated with the handling, avoidance, removal and/or disposal of lead materials is included in the item, Building and Property Improvements Removal, Commercial, Site (No.) pay item. The Health and Safety Plan is expected to be updated at no additional cost to the contract when additional information is provided to the Contractor.

Implement soil erosion and sedimentation control (SESC) measures as specified in the Project Log and as directed by the Engineer. All SESC measures shall be inspected and maintained by the contractor and replaced should they become damaged. Any water pumped from the jobsite shall be discharged through a filter bag. If the contractor is not in compliance with the erosion control plan, work will be suspended until all erosion control measures are compliant.

Lead based paint may exist in some of the structures, lead contamination may be present in soil, and heating oil or fuel underground storage tanks may be present. The Engineer may perform additional environmental testing and develop a Due Care Plan with additional measures to be implemented. Stage work as indicated in the Project Log to allow the Engineer to perform additional environmental testing.

Provide a competent person and Supervisor in conformance with the hazardous waste management standards 40 CFR Parts 260-270, and 273. This person must be on site or readily accessible during all work activities to ensure workers have the appropriate level of PPE and hazard awareness training.

Following each phase of demolition or construction, install and maintain a suitable ground cover in areas where soils are exposed from demolition or construction activities to restrict human exposure to potentially contaminated soil. Topsoil used for turf establishment during site restoration is deemed acceptable suitable ground cover.

Unless otherwise authorized by the Engineer, restrict access to site during all demolition activities.

Soil and debris disturbed or encountered during construction activities will be treated as contaminated in the absence of sampling data that proves otherwise. The Contractor must follow the Indiana Code IC 13-11-2-99 for the relocation of contaminated soil, to manage waste and contaminated soil onsite. Do not remove soil from the site unless it is necessary. If soil is

to be moved off-site it will be properly characterized and managed for disposal at a licensed facility if necessary.

Contact the Engineer within 15 minutes if potential contamination or potentially hazardous materials are encountered.

Contact the Engineer within 15 minutes of encountering an unknown underground storage tank. The Engineer will assess whether a release has occurred and facilitate registration, removal and disposal of the underground storage tank.

If buried demolition debris is encountered during work, immediately notify the Engineer. Provide a competent person onsite and handle all debris and waste as contaminated with friable asbestos and/or containing friable asbestos, unless proven otherwise. Unless the buried demolition debris is noted in the Project Log, the proper removal and disposal of the material will be considered extra work to the Contract.

Document the preventative measures implemented on each parcel and provide all documentation to the Engineer.

11. Documentation. Provide the Engineer with all documentation associated with disposal of removed improvements upon completion of the work or as the project progresses. Provide the Engineer with all documentation associated with backfill materials, restoration materials, and all other permanent materials incorporated into the project.

d. Measurement and Payment. The completed work, as described, will be measured and paid for at the contract unit price using the following pay item:

Pay Item	Pay Unit
Building and Property Improvements Removal, Commercial, Site (No.)	Lump Sum

Information pertaining to each parcel is provided in the Project Log.

Building and Property Improvements Removal, Commercial, Parcel (No.) includes all labor, equipment, and materials to complete the removal of the structure(s) as indicated by code SGL, NB or BLIP, proper demolition and removal of burned or collapsed structures, all backfill, final site grading, site restoration, temporary fencing, compliance with all local ordinances and zoning restrictions, compliance with all requirements in State and locally issued permits, and other applicable work described in the Project Log.

Payment will not be made for this item of work until the structure(s) and appurtenant features have been demolished and disposed, the parcel is backfilled and restored, and all required documentation has been submitted to and reviewed and approved by the Engineer.

NORTHWEST INDIANA
REGIONAL DEVELOPMENT AUTHORITY

SPECIAL PROVISION
FOR
HAZARDOUS AND REGULATED MATERIALS REMOVAL AND DISPOSAL

1 of 4

a. Description. This work consists of all labor, materials, and equipment to remove and dispose of all regulated asbestos containing materials (RACM) and other regulated materials (ORM) prior to the demolition of buildings, structures, and other improvements. Ensure that all activities are conducted in compliance with applicable federal, state and local laws and regulations. Submit the required notifications to regulatory agencies and revise these notifications, as necessary. Reimburse the Northwest Indiana Regional Development Authority (RDA) for any fines or remediation costs incurred as a result of failure to be in compliance with this Special Provision, contract terms and conditions, and/or all federal, state and local laws and regulations.

b. Notification. Demolition of any building or structure requires notification to the Indiana Department of Environmental Management (IDEM), regardless of the presence or absence of RACM. Complete a separate Notification of Demolition and Renovation Operations (State Form 44593) in accordance with 326 IAC 14-10-3(b) for each building or structure. Refer to the applicable Hazardous and Regulated Materials (HRM) Survey Report prepared for specific information needed to complete State Form 44593. Sign the form as owner/operator and submit to the address specified on the notification form a minimum of 10 working days prior to the start date of asbestos stripping/removal procedures or demolition start date specified in the notification.

IDEM will assess demolition fees quarterly to the owner/operator submitting the notification during the previous quarter in accordance with 326 IAC 14-10-5. Section 5 describes the fee structure applied by IDEM, which is based on the amount of friable asbestos to be removed.

If the amount of RACM to be removed, stripped or disturbed changes by 20 percent or more of the amount noted on the original notification, prepare and submit a revised notification form. Send the revised form to IDEM and to the Engineer. Show all changes by carefully crossing out the original data and legibly adding the revised data. The revised form must be delivered at least two working days or postmarked at least five working days prior to the start date of the asbestos stripping/removal, or the demolition start date specified on the revised form.

c. Asbestos Removal and Disposal. Prior to demolition of a building or structure, remove all RACM. Ensure this work is completed by a licensed asbestos abatement contractor. Ensure the appropriate field staff are present at the time of any asbestos removal, stripping or disturbance. The Contractor or subcontractor performing the abatement must be a licensed asbestos contractor in the State of Indiana. Only asbestos removal contractors, project supervisors, and workers accredited in the State of Indiana may perform removal of RACM. All personnel must carry their credential and be current with refresher training.

Develop a detailed abatement plan (Plan) for each Site that is designed by a Project Designer accredited in the State of Indiana. Submit the Plan to the Engineer for review and approval a minimum of 14 calendar days prior to mobilizing to each Site. The Engineer will have 7 calendar days to review the Plan and provide comments for revisions required to obtain approval. The plan should state how work will comply with federal, state, and local regulations and address and shall include, but is not limited to the following components:

1. sealing the exterior building envelope
2. worker protection (e.g., PPE, air monitoring, use of appropriate equipment)
3. RACM removal methods
4. any nonfriable ACM that will remain in the structure and a description of demolition techniques that will ensure the ACM is not rendered friable and made RACM through demolition activities
5. clearance testing
6. maintenance of record keeping for work activities completed each day; vi) final cleanup procedures
7. waste handling (i.e., waste transport, final disposition of waste RACM, and managing waste shipment records [WSR]).

Do not begin asbestos stripping/removal activities without written Notice to Proceed from the Engineer.

RACM must be kept adequately wet during stripping/removal. There are two situations for which the requirement for adequately wetting the material does not apply.

1. The temperature at the point of wetting is below 32 degrees Fahrenheit. Record the temperature at the beginning, middle and end of each work period. Provide a signed copy of the temperature records to the Engineer for the project file at the end of each day of abatement activity. Keep daily temperature records available for inspection by IDEM at the demolition or renovation site and retain the temperature records for at least two (2) years.
2. Renovation operations where wetting would unavoidably damage equipment or present a safety hazard. For these operations, submit a request in writing for a waiver for not wetting the RACM to the IDEM, Office of Air Quality.

If situations 1. or 2. are deemed applicable, implement one or more of the following emission control methods:

- a. A local exhaust ventilation and collection system designed and operated to capture the particulate asbestos material produced by the stripping and removal of the asbestos materials. The system must exhibit no visible emissions to the outside air and be designed and operated in accordance with the requirements in 40 CFR 61.152.
- b. A glove bag system designed and operated to contain the particulate asbestos material produced by the stripping of the asbestos materials.
- c. Leak-tight wrapping to contain all RACM prior to removal.

Conduct all asbestos stripping/removal work in accordance with the 29 CFR 1926.1101 OSHA Asbestos in Construction Standard; the Asbestos NESHAP and IAC 326; applicable portions of AHERA/AHARA; RCRA and IC 13 Title 13 – Environmental for disposal of construction and demolition waste and asbestos waste; and applicable DOT and INDOT IC 13-11-2-207 regulations for transporting waste, including placarding of vehicles.

d. Other Regulated Materials Removal and Disposal. Prior to demolition of a building or structure, remove and dispose of all ORM identified in the HRM Survey Report or otherwise discovered in connection to the structure. Remove and dispose of ORM in accordance with all applicable local, state, and federal regulations all hazardous and regulated materials. ORM include:

1. Refrigerants and related chemicals (40 CFR 82 Subpart F);
2. Solid wastes which exhibit any of the characteristics of ignitability, corrosivity, reactivity, or toxicity (40 CFR 261.20 – 261.24 – Hazardous Waste Characteristics Regulations);
3. Hazardous wastes (40 CFR 261.31, 261.32) and discarded commercial chemical products (40 CFR 261.33& Part 111, Public Act 451 of 1994, as amended);
4. Universal wastes, including batteries, pesticides, mercury-containing products, lamps, aerosol cans and certain household wastes (40 CFR 273 and 329 IAC 3.1-16);
5. PCB-containing products (40 CFR 761 and 329 IAC 4.1);
6. Used oil (329 IAC 13)
7. Scrap tires (IC 13-20-14-4);
8. Medical or Infectious Wastes (IC 16-41-16 and 410 IAC 1-3-22);
9. Electronic Waste (IC 13-20.5)

The Contractor must document removal of all ORM using the appropriate waste shipping document (i.e., hazardous, non-hazardous waste manifest) to track and substantiate transport and final disposition of the waste at a licensed disposal facility.

e. Waste Shipment and Disposal. Properly package and label all RACM as special waste prior to disposal. Arrange for a licensed waste transporter to transport all waste RACM immediately and directly to a non-municipal solid waste landfill (Non-MSWLF) with a Variable Source Asbestos Approval or a municipal solid waste landfill if the waste is managed in accordance with [326 IAC 14-10](#) and [329 IAC 10-8.2-4](#).

The following labels must be attached to the packaging: generator/operator label transporter label:

DOT marking stating – **R.Q. Asbestos NA2212**

OSHA label stating – **DANGER CONTAINS ASBESTOS FIBERS AVOID CREATING DUST CANCER AND LUNG DISEASE HAZARD**

Provide a Waste Shipment Record (WSR) for each load of waste RACM. Fill out and sign the generator section of the WSR for the disposal of waste RACM. Provide a copy of the form to the Engineer immediately after signing. After the owner/operator of the disposal site signs the form, immediately provide a copy to the Engineer.

Containerize universal wastes in accordance with 40 CFR 273.14 – Labeling/markings to identify the type of universal waste in the container. Universal waste transporters must meet the requirements of 40 CFR part 273 subpart D (Universal Waste Transporters). Hazardous waste transporters must meet the requirements of 40 CFR part 263 (Hazardous Waste Transporters).

Transport all regulated waste directly from the Project Site to a licensed disposal facility. Interim storage of waste materials at an offsite location is not permitted.

f. Measurement and Payment. The completed work, as described herein, will be measured and paid for at the contract unit price using the following pay item.

Pay Item	Pay Unit
Hazardous and Regulated Materials Removal and Disposal, Site (No.).....	Lump Sum

Hazardous and Regulated Materials Removal and Disposal, Parcel (No.) includes all labor, equipment, and materials to complete the removal, transport, and disposal of all hazardous and regulated materials, submittal and maintenance of all required permits and notifications, generating and providing all required documentation, compliance with all applicable federal, state, and local laws and regulations, and other applicable work described in the Project Log.

Payment will not be made for this item of work until all hazardous and regulated materials have been fully removed and disposed, and all required documentation has been submitted to and reviewed and approved by the Engineer.